

THIS DRAWING IS UNPUBLISHED.

RELEASED FOR PUBLICATION

2005

© COPYRIGHT 2005

Tyco Electronics AMP GmbH

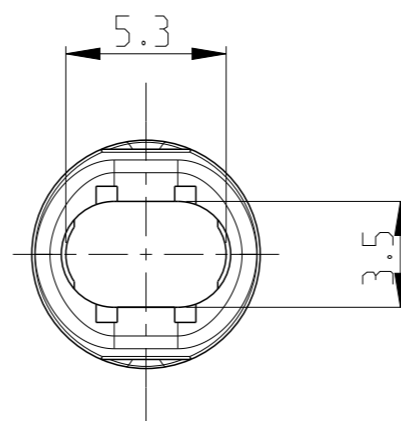
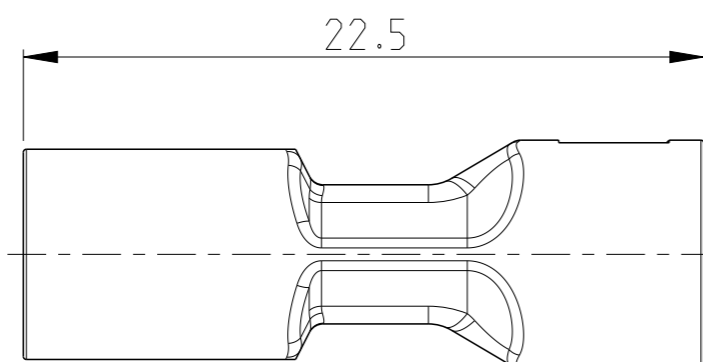
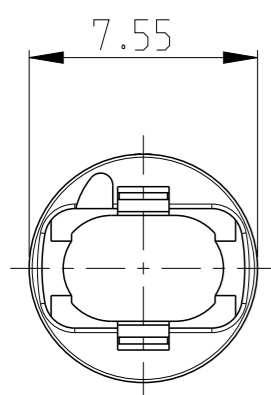
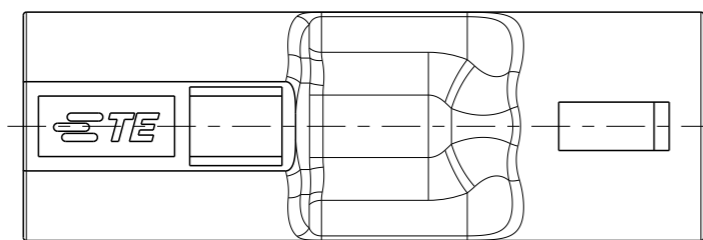
ALL RIGHTS RESERVED.

LOC
A1

DIST
-

REVISIONS

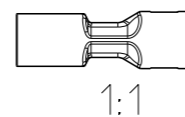
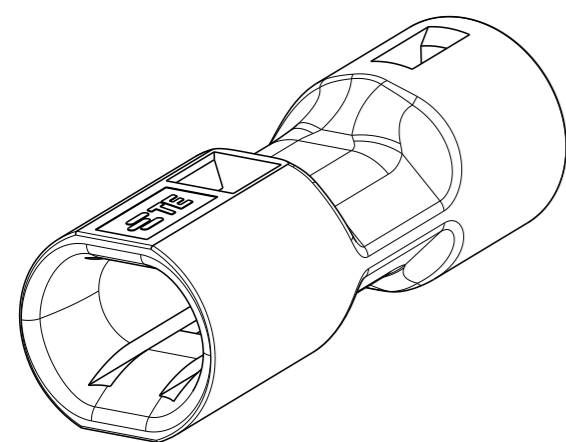
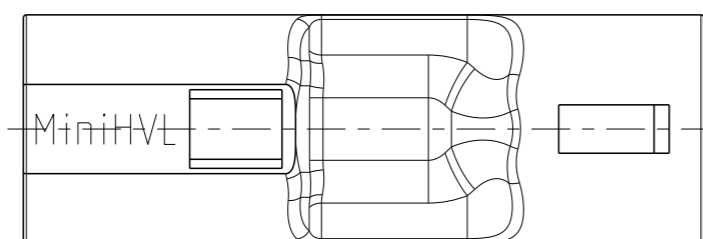
P	LTR	DESCRIPTION	DATE	DWN	APVD
	J1	REVISED PER ECR-14-008397	10JUN2014	RS	DD
	K	REVISED PER ECR-15-011040	04AUG2015	RS	PO



Remarks:

- Space inside designed for cable type H03VVH2-F 2x0,75mm² (Details see Application Spec.)
- Counterparts see drawings for PN 1740259, 1740261 and 1740262 and corresponding products of the MiniHVL family

Material is improved against UV influence



0-1740260-2	K	BLACK
0-1740260-1	K	WHITE
PN	REV.	COLOR

THIS DRAWING IS A CONTROLLED DOCUMENT.

DWN H.ATZMANN 08FEB2005
 CHK M.OFENLOCH 08FEB2005
 APVD S.SKADE 29SEP2006

STE TE Connectivity

NAME
7.5mm MiniHVL Connector System
TUBE

DIMENSIONS:	TOLERANCES UNLESS OTHERWISE SPECIFIED:
mm	
	0 PLC ±0.2
	1 PLC ±0.2
	2 PLC ±0.2
	3 PLC ±
	4 PLC ±
ANGLES	±°

PRODUCT SPEC 108-94018
 APPLICATION SPEC 114-18751
 WEIGHT 0.5 g

SIZE	CAGE CODE	DRAWING NO	RESTRICTED TO
A3	00779	©=1740260	-

MATERIAL TPE FINISH -

Customer Drawing SCALE 4:1 SHEET 1 OF 1 REV K