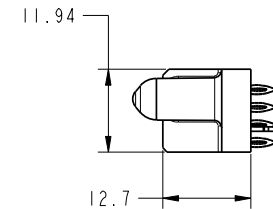
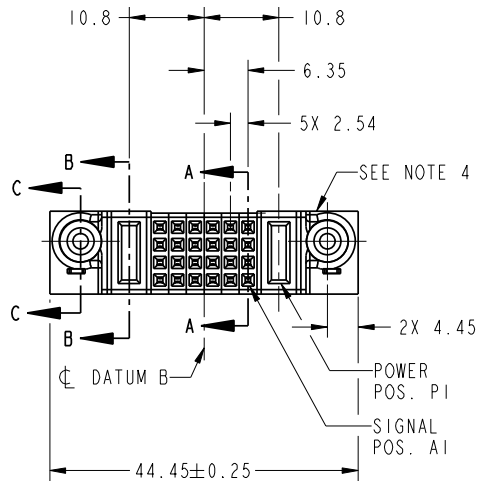


Tous droits strictement réservés. Reproduction ou communication o des liens interdite sous quelque forme que ce soit sans autorisation écrite du propriétaire. Propriete de c FCI. Droits de reproduction FCI.



All rights strictly reserved. Reproduction or issue to third parties in any form whatever is not permitted without written authority from the proprietor. Property of FCI. Copyright FCI.

PRODUCT NO.	ROWS	POWER	SIGNAL	POWER
51750-083-- NOTE: 3	D C B A	P2	6 5 4 3 2 1	P1
		PF	F F F F F F F F	PC
			F F F F F F F F	
			F F F F F F F F	
			F F F F F F F F	



CODE	DIM "M" MATING LENGTH	CONTACT TYPE
PF	[2.34]	POWER
PC	[1.07]	POWER
F	[N/A]	SIGNAL
HA	[N/A]	HOLD-DOWN

mat'l code				SEE NOTES		tolerances unless otherwise specified		CUSTOMER		FCI www.fciconnect.com	
lfr	ecn no.	dr	date	linear	0.X ±0.3	projection	COPY		title		
A	DG08-0052	JC	04/07/08	angles	0.XX ±0.13		IP + 24S + IP		VERTICAL PRESS-FIT RECEPT		
				dr	0.XXX ±0.051		product family		PwrBlade		code
				engr	0° ±2°	MM		size		dwg no	213
				chr		scale		A		51750-083	sheet
				appd		1:1				1 of 4	
sheet index	revision sheet	A	A	A	A						
		1	2	3	4						

Pro/E

cage code 22526

PDM: Rev:A

STATUS: Released

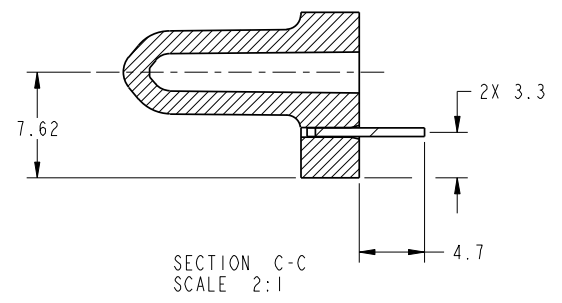
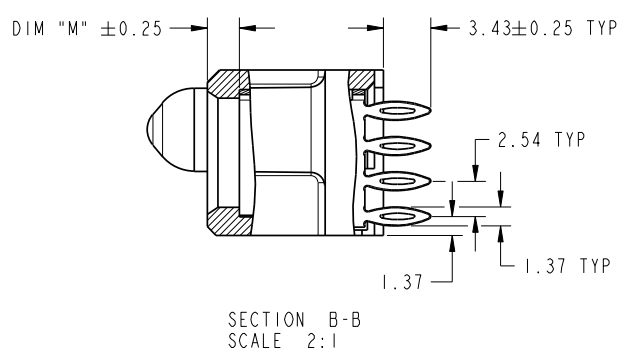
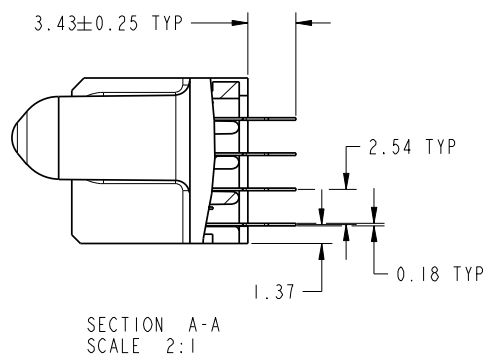
Printed: Dec 20, 2010

Tous droits strictement réservés. Reproduction ou communication o des liers interdite sous quelque forme que ce soit sans autorisation écrite du propriétaire. Propriete de c FCI. Droits de reproduction FCI.



All rights strictly reserved. Reproduction or issue to third parties in any form whatever is not permitted without written authority from the proprietor. Property of FCI. Copyright FCI.

PRODUCT NUMBER
51750-083...
NOTE: 3



mat'l code				tolerances unless otherwise specified				CUSTOMER		FCI		www.fciconnect.com	
lfr	ecn no.	dr	date	linear	0.X ±0.3	projection		title					
A				0.XX ±0.13	MM		IP + 24S + IP						
				0.XXX ±0.051	1:1		VERTICAL PRESS-FIT RECEPT						
				angles	0° ±2°	scale		product family		code			
				dr	Jerome Chen 01/14/08	A		PwrBlade		213			
				engr	Jerome Chen 04/03/08	size		dwg no		sheet			
				chr	Gary Hsieh 01/14/08	A		51750-083		2 of 4			
				appd	Joseph Hsia 01/14/08	cage code		22526		4			
sheet index	revision sheet												

Pro/E

PDM: Rev:A

STATUS: Released

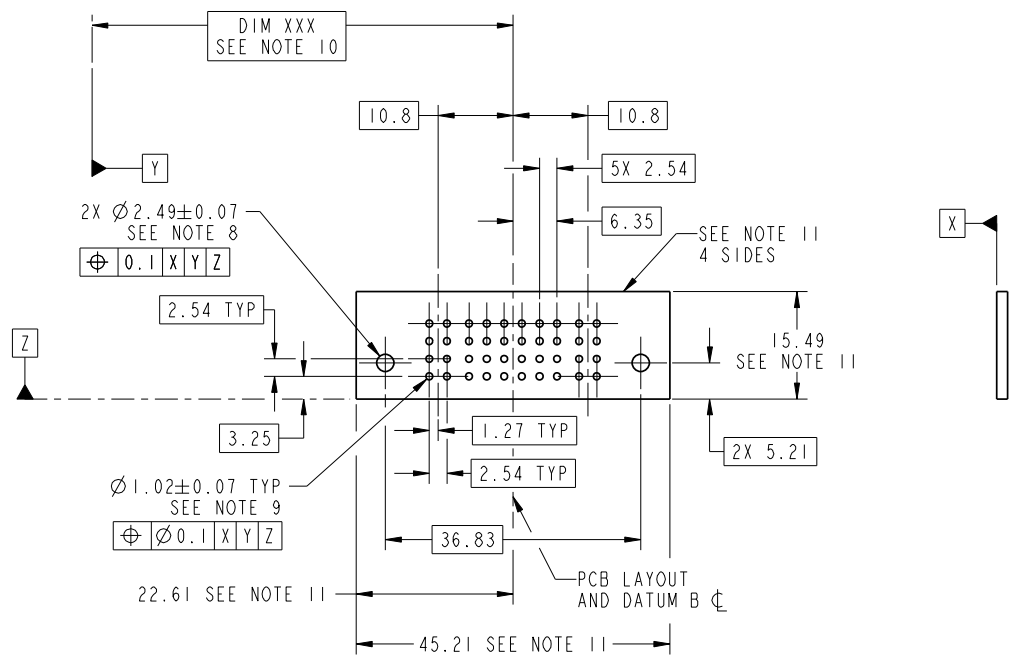
Printed: Dec 20, 2010

Tous droits strictement réservés. Reproduction ou communication o des liens interdite sous quelque forme que ce soit sans autorisation écrite du propriétaire. Propriete de c FCI. Droits de reproduction FCI.



All rights strictly reserved. Reproduction or issue to third parties in any form whatever is not permitted without written authority from the proprietor. Property of FCI. Copyright FCI.

PRODUCT NUMBER
51750-083..
NOTE: 3



RECOMMENDED PCB LAYOUT

mat'l code				tolerances unless otherwise specified		CUSTOMER		FCI	
lfr	ecn no.	dr	date	linear	0.X ± 0.3	COPY		www.fciconnect.com	
A				angles	0.XX ± 0.13	projection	title		
				dr	0.XXX ± 0.051	MM		IP + 24S + IP	
				engr	0° ± 2°	scale	product family		code
				chr	Jerome Chen 01/14/08	1:1	PwrBlade		213
				appd	Jerome Chen 04/03/08		size		sheet
					Gary Hsieh 01/14/08		51750-083		3 of 4
sheet index	revision sheet				Joseph Hsia 01/14/08		A		



MM

A

1 | 2

Pro/E

3 |

cage code 22526

4

PDM: Rev:A

STATUS: Released

Printed: Dec 20, 2010

Tous droits strictement réservés. Reproduction ou communication o des liers interdite sous quelque forme que ce soit sans autorisation écrite du propriétaire. Propriete de c FCI. Droits de reproduction FCI.



All rights strictly reserved. Reproduction or issue to third parties in any form whatever is not permitted without written authority from the proprietor. Property of FCI. Copyright FCI.

PRODUCT NUMBER
51750-083..
NOTE: 3

NOTES:

1. DIMENSIONS AND TOLERANCES ARE IN ACCORDANCE WITH ASME Y14.5M, 1994 UNLESS OTHERWISE SPECIFIED.

CONNECTOR NOTES:

- 2 HOUSING MATERIAL: UL 94 V-0 GLASS FILLED HIGH-TEMP THERMOPLASTIC
POWER CONTACT MATERIAL: COPPER ALLOY
SIGNAL PIN MATERIAL: COPPER ALLOY
- 3. PLATING SPEC.
51750-083, 51750-083LF PLATING SPEC. WAS SHOWN IN THE PRINT OF 10064183.
- 4 MANUFACTURER'S NAME, P/N, AND DATE CODE TO APPEAR ON THIS SURFACE.
- 5. PRODUCT SPECIFICATION GS-12-149.
APPLICATION SPECIFICATION BUS-20-067.
- 6. PACKAGED IN TRAYS.
- PCB NOTES:
- 7. ALL HOLE DIAMETERS ARE FINISHED HOLE SIZE.
- 8 MOUNTING HOLES, WHERE APPLICABLE, ARE UNPLATED.
- 9 $\varnothing 1.151 \pm 0.025$ DRILLED HOLES PLATED WITH
0.008 MIN SnPb OR Sn OVER 0.03
TO 0.08 Cu PLATING TO ACHIEVE
 $\varnothing 1.02 \pm 0.07$ HOLE.
- 10 "DIM XXX" TO BE DETERMINED BY THE CUSTOMER.
- 11 CONNECTOR KEEP-OUT ZONE.

mat'l code				tolerances unless otherwise specified		CUSTOMER		FCI		www.fciconnect.com	
lfr	ecn no.	dr	date	linear	0.X ± 0.3	COPY		projection		title	
A					0.XX ± 0.13	A		IP + 24S + IP		VERTICAL PRESS-FIT RECEPT	
				angles	0.XXX ± 0.051	MM		product family		PwrBlade	
				dr	0° ± 2°	1:1		size		213	
				engr	Jerome Chen 01/14/08	A		dwg no		4 of 4	
				chr	Jerome Chen 04/03/08			51750-083			
				appd	Gary Hsieh 01/14/08						
					Joseph Hsia 01/14/08						
sheet index	revision sheet										

Pro/E

cage code 22526

PDM: Rev:A

STATUS: Released

Printed: Dec 20, 2010