

CKT SIZE	DIM A	DIM B	DIM C	DIM D
4	.496 (12.60)	.709 (18.00)	.850 (21.60)	1.102 (28.00)
5	.661 (16.80)	.874 (22.20)	1.016 (25.80)	1.268 (32.20)
6	.827 (21.00)	1.039 (26.40)	1.181 (30.00)	1.433 (36.40)
7	.992 (25.20)	1.205 (30.60)	1.346 (34.20)	1.598 (40.60)
8	1.157 (29.40)	1.370 (34.80)	1.512 (38.40)	1.764 (44.80)
9	1.323 (33.60)	1.535 (39.00)	1.677 (42.60)	1.929 (49.00)
10	1.488 (37.80)	1.701 (43.20)	1.843 (46.80)	2.094 (53.20)
11	1.654 (42.00)	1.866 (47.40)	2.008 (51.00)	2.260 (57.40)
12	1.819 (46.20)	2.031 (51.60)	2.173 (55.20)	2.425 (61.60)

NOTES:

1) HOUSING MATERIAL:

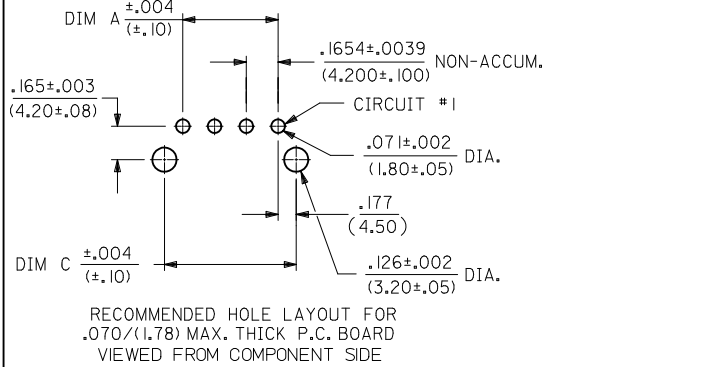
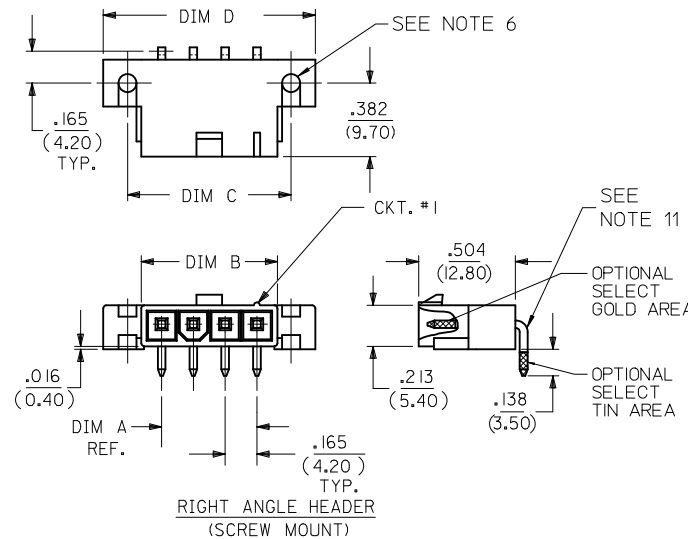
"BLANK" = NYLON 6/6, U.L. 94V-2, COLOR: NATURAL.  
 210 = NYLON 6/6, U.L. 94V-0, COLOR: NATURAL.  
 BL = NYLON 6/6, U.L. 94V-2, COLOR: BLACK.  
 400 = NYLON 6/6, U.L. 94V-0, COLOR: BLACK.  
 TERMINAL MATERIAL: BRASS, ALLOY.

2) TERMINAL PLATING:

G, GS - .000030/(.00076) MIN. SELECT GOLD AND  
 .000100/(.00127) MIN. SELECT MATTE TIN OVER  
 .000050/(.00127) MIN. NICKEL OVERALL.  
 G2, GS2 - .00015/(.00038) MIN. SELECT GOLD AND  
 .000100/(.00254) MIN. SELECT MATTE TIN OVER  
 .000050/(.00127) MIN. NICKEL OVERALL.  
 RM - .000060/(.00152) MIN. REFLOWED MATTE TIN  
 OVER .000050/(.00127) MIN. NICKEL OVERALL.

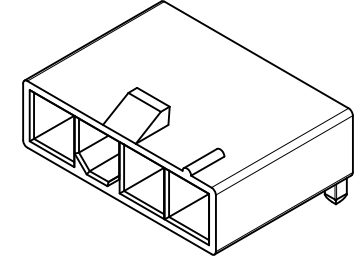
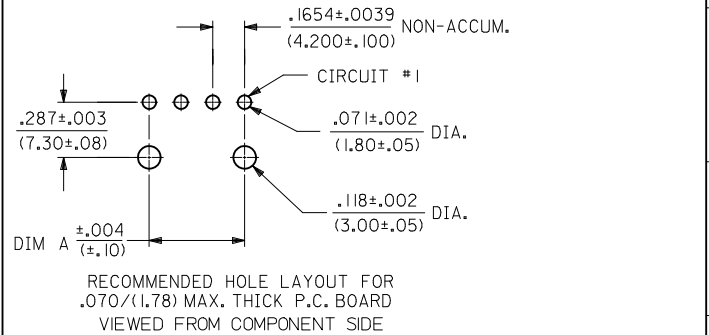
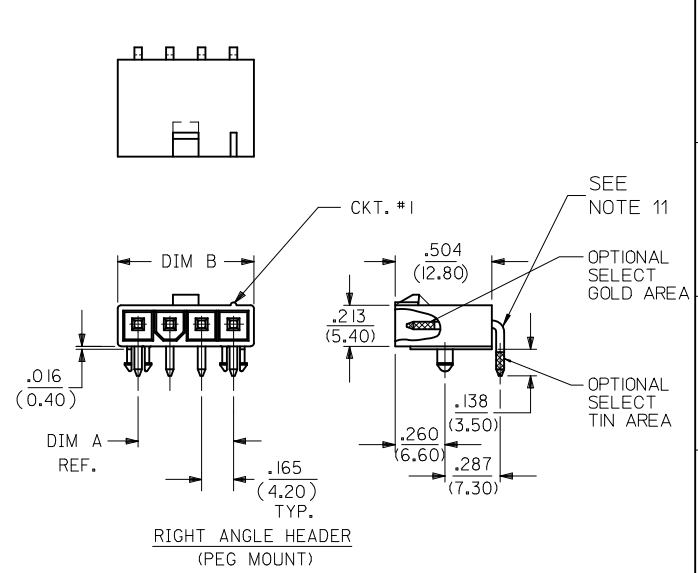
BLANK, S, MS - .000100/(.00254) MIN. MATTE TIN OVER  
 .000050/(.00127) MIN. NICKEL OVERALL.

- PRODUCT SPECIFICATION: PS-5556-001
- PACKAGING SPECIFICATION : BULK PACK PER PK-5569-002
- PART MATES WITH MOLEX RECEPTACLE #5557.
- PART IS DESIGNED FOR USE WITH 4 - 40 OR M3 SCREWS.
- DISCOLORATION IN THE BANDOLIER CARRIER AREA OF THE PIN IS INHERENT TO THE PLATING PROCESS AND IS DUE TO THE MASKING EFFECT OF THE CARRIER. THIS DISCOLORATION IS IN A NON-FUNCTIONAL AREA OF THE PIN AND WILL NOT AFFECT THE PERFORMANCE OF THE HEADER ASSEMBLY.
- CONNECTORS ARE NOT TO BE MATED OR UNMATED WHILE CIRCUIT ARE LIVE.
- PARTS NOT DESIGNED FOR CURRENT SHARING.
- PART CONFORMS TO CLASS "B" REQUIREMENTS OF COSMETIC SPECIFICATION PS-45499-002.
- FORMING MARKS ON PINS ARE ACCEPTABLE



LEGEND:

- 5569 - \*\* A \* \* - \*
- CKT. SIZE (04-12) →
- ASSEMBLY →
- MOUNTING & LOCK OPTION: →
- 3 = SCREW MOUNT, POSITIVE LOCK  
 4 = PEG MOUNT, POSITIVE LOCK  
 5 = PEG MOUNT, PASSIVE LOCK
- PLATING OPTION: →
- (SEE NOTE 2)
- MATERIAL OPTION: →
- (SEE NOTE 1)



REV	DESCRIPTION	DATE
Q2	ADD -04A4GS-400	2012/05/09
	EC NO: UCP2012-3675	2012/05/09
	DRW: NGUYEN	2012/05/09
	CHKD: BELLE	2012/05/14
	APPR: FSM/TH	2012/05/14

GENERAL TOLERANCES (UNLESS SPECIFIED)	
mm	INCH
4 PLACES ± .15	± .005
3 PLACES ± .10	± .004
2 PLACES ± .08	± .003
1 PLACE ± .05	± .002
ANGULAR ± 3°	

DRAFT WHERE APPLICABLE MUST REMAIN WITHIN DIMENSIONS

DIMENSION STYLE		SCALE	DESIGN UNITS	THIRD ANGLE PROJECTION
IN/MM		2:1	METRIC	
DRAWN BY	DATE	TITLE		
KSS	2/14/89	RIGHT ANGLE HEADER ASSY (SINGLE ROW) (MINI-FIT JR. SERIES)		
CHECKED BY	DATE	MOLEX INCORPORATED		
RJF	2/14/89	MATERIAL NO. SDA-5569-NL*		
APPROVED BY	DATE	SHEET NO. 1 OF 2		
RAS	2/14/89	THIS DRAWING CONTAINS INFORMATION THAT IS PROPRIETARY TO MOLEX INCORPORATED AND SHOULD NOT BE USED WITHOUT WRITTEN PERMISSION		

UL94V-2						
E.D.P. NO.	ENG. NO.	CKT. SIZE	MOUNTING OPTION	LOCK OPTION	PLATING (SEE NOTE 2)	MAT'L. (SEE NOTE 1)
SCREW MOUNT POSITIVE LOCK						
39-30-3041	5569-04A3MS	4	SCREWS	POSITIVE	TIN/NICKEL	94V-2
39-30-3051	5569-05A3MS	5	SCREWS	POSITIVE	TIN/NICKEL	94V-2
39-30-6049	5569-04A3S	4	SCREWS	POSITIVE	TIN/NICKEL	94V-2
NO E.D.P.	5569-05A3S	5	SCREWS	POSITIVE	TIN/NICKEL	94V-2
39-30-3043	5569-04A3GS	4	SCREWS	POSITIVE	30 GOLD	94V-2
39-30-3053	5569-05A3GS	5	SCREWS	POSITIVE	30 GOLD	94V-2
PEG MOUNT POSITIVE LOCK						
39-30-3045	5569-04A4	4	PEGS	POSITIVE	TIN/NICKEL	94V-2
39-30-3055	5569-05A4	5	PEGS	POSITIVE	TIN/NICKEL	94V-2
39-30-7041	5569-04A4S	4	PEGS	POSITIVE	TIN/NICKEL	94V-2
39-30-7051	5569-05A4S	5	PEGS	POSITIVE	TIN/NICKEL	94V-2
39-30-3047	5569-04A4G	4	PEGS	POSITIVE	30 GOLD	94V-2
39-30-3057	5569-05A4G	5	PEGS	POSITIVE	30 GOLD	94V-2
50-30-4438	5569-04A4GS	4	PEGS	POSITIVE	30 GOLD	94V-2
50-30-4439	5569-05A4GS	5	PEGS	POSITIVE	30 GOLD	94V-2
PEG MOUNT, PASSIVE LOCK						
NO E.D.P.	5569-04A5MS	4	PEGS	PASSIVE	TIN/NICKEL	94V-2
15-24-1501	5569-05A5MS	5	PEGS	PASSIVE	TIN/NICKEL	94V-2
NO E.D.P.	5569-04A5GS2	4	PEGS	PASSIVE	15 GOLD	94V-2
15-27-1501	5569-05A5GS2	5	PEGS	PASSIVE	15 GOLD	94V-2

UL94V-0						
E.D.P. NO.	ENG. NO.	CKT. SIZE	MOUNTING OPTION	LOCK OPTION	PLATING (SEE NOTE 2)	MAT'L. (SEE NOTE 1)
SCREW MOUNT POSITIVE LOCK						
50-30-4469	5569-04A3S-210	4	SCREW	POSITIVE	TIN/NICKEL	94V-0
NO E.D.P.	5569-05A3S-210	5	SCREW	POSITIVE	TIN/NICKEL	94V-0
NO E.D.P.	5569-04A3GS-210	4	SCREW	POSITIVE	30 GOLD	94V-0
NO E.D.P.	5569-05A3GS-210	5	SCREW	POSITIVE	30 GOLD	94V-0
PEG MOUNT POSITIVE LOCK						
39-30-3046	5569-04A4MS-210	4	PEGS	POSITIVE	TIN/NICKEL	94V-0
39-30-3056	5569-05A4MS-210	5	PEGS	POSITIVE	TIN/NICKEL	94V-0
39-30-7042	5569-04A4S-210	4	PEGS	POSITIVE	TIN/NICKEL	94V-0
39-30-7052	5569-05A4S-210	5	PEGS	POSITIVE	TIN/NICKEL	94V-0
39-30-3048	5569-04A4G-210	4	PEGS	POSITIVE	30 GOLD	94V-0
39-30-3058	5569-05A4G-210	5	PEGS	POSITIVE	30 GOLD	94V-0
50-30-4441	5569-04A4GS-210	4	PEGS	POSITIVE	30 GOLD	94V-0
50-30-4442	5569-05A4GS-210	5	PEGS	POSITIVE	30 GOLD	94V-0
46999-0432	5569-04A4GS-400	4	PEGS	POSITIVE	30 GOLD	94V-0
50-30-4436	5569-05A4GS-400	5	PEGS	POSITIVE	30 GOLD	94V-0
46999-0288	5569-04A4MS-400	4	PEGS	POSITIVE	TIN/NICKEL	94V-0
46999-0289	5569-05A4MS-400	5	PEGS	POSITIVE	TIN/NICKEL	94V-0
50-34-8578	5569-04A4RM-210	4	PEGS	POSITIVE	REFLOW/NICKEL	94V-0
50-34-8579	5569-05A4RM-210	5	PEGS	POSITIVE	REFLOW/NICKEL	94V-0

<b>SEE SHEET 1</b> EC NO: UCP2012-3675 DRAWING: NGUYEN 2012/05/09 CHKD: BELL 2012/05/09 APPR: FSM 2012/05/14	QUALITY SYMBOLS 	GENERAL TOLERANCES (UNLESS SPECIFIED) <table border="1"> <tr> <th></th> <th>mm</th> <th>INCH</th> </tr> <tr> <td>4 PLACES</td> <td>± .15</td> <td>± .005</td> </tr> <tr> <td>3 PLACES</td> <td>± .10</td> <td>± .004</td> </tr> <tr> <td>2 PLACES</td> <td>± .08</td> <td>± .003</td> </tr> <tr> <td>1 PLACE</td> <td>± .05</td> <td>± .002</td> </tr> </table>		mm	INCH	4 PLACES	± .15	± .005	3 PLACES	± .10	± .004	2 PLACES	± .08	± .003	1 PLACE	± .05	± .002	DIMENSION STYLE <b>IN/MM</b> DRAWN BY: KSS DATE: 2/14/89 CHECKED BY: RJF DATE: 2/14/89 APPROVED BY: RAS DATE: 2/14/89	SCALE: DESIGN UNITS: <b>METRIC</b> 	TITLE: <b>RIGHT ANGLE HEADER ASSY (SINGLE ROW) (MINI-FIT JR. SERIES)</b> <b>MOLEX INCORPORATED</b> MATERIAL NO. <b>SDA-5569-NL*</b> DOCUMENT NO.	SHEET NO. <b>2 OF 2</b>
		mm	INCH																		
	4 PLACES	± .15	± .005																		
	3 PLACES	± .10	± .004																		
2 PLACES	± .08	± .003																			
1 PLACE	± .05	± .002																			
DRAFT WHERE APPLICABLE MUST REMAIN WITHIN DIMENSIONS		SEE TABLE	THIS DRAWING CONTAINS INFORMATION THAT IS PROPRIETARY TO MOLEX INCORPORATED AND SHOULD NOT BE USED WITHOUT WRITTEN PERMISSION																		
REV: <b>Q2</b>																					