

**AP1017****12V 1ch H-Bridge Motor driver****1. General Description**

The AP1017AEN is a 1 channel H-bridge Motor Driver corresponding to an operating voltage of 12V. It has a N-channel LDMOS FET for both high and low sides of output circuit, it is available in a small package. Additionally, the AP1017 has under voltage lock out and thermal shutdown circuits. It is suitable for driving various small motors.

2. Features

- Control Supply Voltage 2.7V ~ 3.6V
- Available for the input level of 1.8V
- Wide Motor Driver Operating Voltage 1.8V ~ 12V
- Maximum Output Current (DC) 1.56A@ Ta=25°C
- Maximum Output Current (Peak) 3.3A(Ta=25°C, within 5ms in each 200ms)
- H-Bridge On Resistance RON(TOP+BOT)=0.47Ω
- Built-in Under Voltage Lock Out circuit (UVLO)
- Built-in Thermal Shut Down circuit (TSD)
- Small Package 8-pin SON

3. Table of Contents

1. General Description	1
2. Features	1
3. Table of Contents	2
4. Block Diagram	3
5. Ordering Guide	3
6. Pin Configurations and Functions	4
■ Pin Configurations	4
■ Functions	4
7. Absolute Maximum Ratings	5
8. Recommended Operating Conditions	5
9. Electrical Characteristics	6
10. Control Logic	8
11. Recommended External Circuits	10
12. Package	11
■ Outline Dimensions	11
■ Marking	11
13. Revise History	12
IMPORTANT NOTICE	13

4. Block Diagram

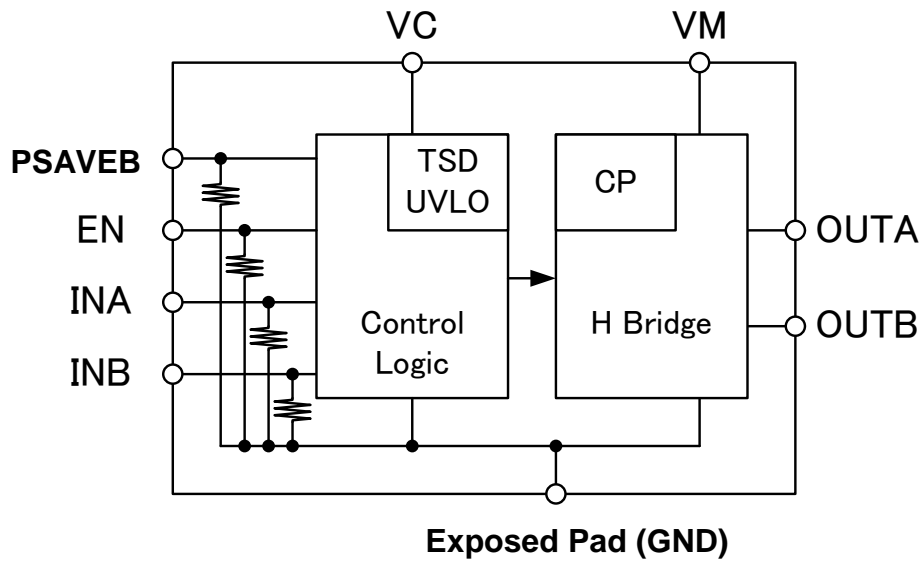


Figure 1. Block Diagram

5. Ordering Guide

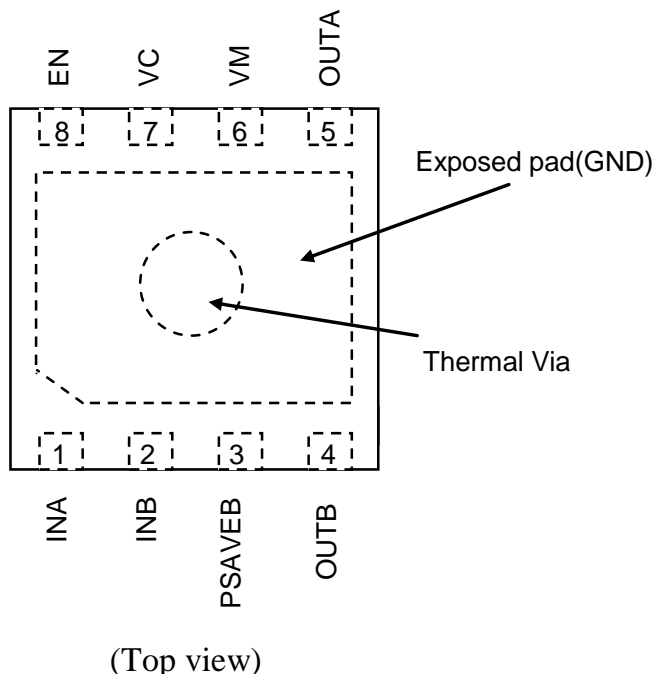
AP1017AEN

-30°C ~+ 85°C

8-pin SON

6. Pin Configurations and Functions

■ Pin Configurations



■ Functions

Pin No.	Pin Name	I/O (Note 1)	Function	Description
1	INA	I	Control Signal Input Terminal	Internally pull-down by 200kΩ
2	INB	I	Control Signal Input Terminal	Internally pull-down by 200kΩ
3	PSAVEB	I	Power Save Input Terminal	Internally pull-down by 200kΩ
4	OUTB	O	Motor Driver Output Terminal	
5	OUTA	O	Motor Driver Output Terminal	
6	VM	P	Motor Driver Power Supply	Connect decoupling capacitor nearby.
7	VC	P	Control Power Supply	Connect decoupling capacitor nearby.
8	EN	I	Enable Signal Input Terminal	Internally pull-down by 200kΩ
Exposed Pad	GND	P	Ground Terminal	(Note 2)

Note 1. I (Input terminal), O (Output terminal) and P (Power terminal)

Note 2. Exposed pad must be connected to GND.

7. Absolute Maximum Ratings

Parameter	Symbol	min	max	Unit	Condition
Control Supply Voltage	VC	-0.5	6	V	
Motor Driver Operating Voltage	VM	-0.5	12	V	
VC level terminal voltage (PSAVEB, EN, INA, and INB)	Vterm1	-0.5	VC	V	
VM level terminal voltage (OUTA, OUTB)	Vterm2	-0.5	12	V	
Maximum DC output current	Iout1	-	1.56	A	Ta = 25°C
		-	1.29	A	Ta = 65°C
Maximum peak output current	Iout2	-	2.2	A	within 10msec in 200msec
		-	3.3	A	within 5msec in 200msec
Power Dissipation	PD1	-	1786	mW	(Note 4) Ta = 25°C
	PD2	-	1214	mW	(Note 4) Ta = 65°C
Maximum Junction Temperature	Tj	-	150	°C	
Storage Temperature Range	Tstg	-65	150	°C	

Note 3. All voltages respect to GND.

Note 4. When 4-layer board is used, this is calculated as $\theta_{JA}=70^{\circ}\text{C}/\text{W}$.

Note 5. The each power supply of VM and VC is sequence-free.

WARNING: Operation at or beyond these limits may result in permanent damage to the device.
Normal operation is not guaranteed at these extremes.

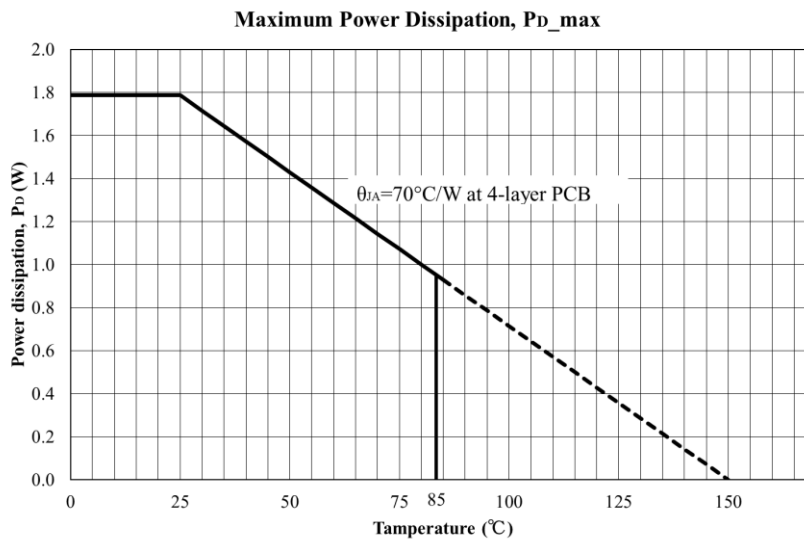


Figure 2. Maximum Power Dissipation

8. Recommended Operating Conditions

Parameter	Symbol	min	typ	max	Unit	Description
Control Supply Voltage	VC	2.7	3.3	3.6	V	
Motor Driver Operating Voltage	VM	1.8	-	12	V	
Input Frequency Range	f_{PWM}	-	-	200	kHz	
Operating Temperature Range	Ta	-30	-	85	°C	

9. Electrical Characteristics

(Ta = 25°C, VM=7.2V and VC = 3.3V, unless otherwise specified.)

Parameter	Symbol	Condition	min	typ	max	Unit
UVLO						
VC under voltage lock out voltage	VC _{UV}		1.8	2.1	2.4	V
Voltage hysteresis (Note 6)	VC _{UVHYS}		0.005	0.1	0.25	V
TSD						
Thermal shutdown temperature (Note 6)	T _{TSD}		150	175	200	°C
Temperature hysteresis (Note 6)	T _{TSDHYS}		20	30	40	°C
Quiescent Current						
VM quiescent current at power save	I _{VMPS}	PSAVEB= "L"	-	-	1	μA
VC quiescent current at power save	I _{VCPS}	PSAVEB= "L"	-	-	1	μA
VM quiescent current at no power	I _{VMNP}	VC=0V	-	-	1	μA
VM quiescent current at EN="L"	I _{VM}	EN="L", INA=INB= "L"	-	40	100	μA
VC quiescent current at EN="L"	I _{VC}	EN="L", INA=INB= "L"	-	230	500	μA
VC quiescent current at PWM operation	I _{VC PWM}	f _{PWM} =100kHz	-	0.5	0.8	mA
Motor Driver						
On-resistance 1 (High side + Low side)	R _{ON1}	VC=3.3V, I _{out} =100mA, Ta=25°C	-	0.47	0.54	Ω
On-resistance 2 (High side + Low side) (Note 6)	R _{ON2}	VC=3.3V, I _{out} =1.0A, Ta=25°C (Equivalent to Tj=75°C)	-	0.55	0.60	Ω
On-resistance 3 (High side + Low side) (Note 6)	R _{ON3}	VC=3.3V, I _{out} =1.29A, Ta=65°C (Equivalent to Tj=150°C)	-	0.64	0.73	Ω
Body diode forward voltage	V _F	I _F =100mA	-	0.8	1.2	V
Output delay time ("L"→"H")	t _{PDH}	(Note 7, Figure 3)	-	0.45	1.0	μs
Output delay time ("H"→"L")	t _{PDL}	(Note 7, Figure 3)	-	0.20	1.0	μs
Output delay time(Hi-Z→"H")(Note 6)	t _{PDZH}	(Note 8, Figure 3)	-	0.33	1.0	μs
Output delay time("L"→Hi-Z)(Note 6)	t _{PDHZ}	(Note 8, Figure 3)	-	0.50	2.0	μs
H-bridge output pulse width	t _{PWO}	t _{PWI} =1.0μs tr=rf=10ns, f _{PWM} =100kHz (Figure 3)	0.6	0.9	-	μs
Control Logic						
Input high level voltage (INA, INB, EN, PSAVEB)	V _{IH}		1.5	-	VC	V
Input low level voltage (INA, INB, EN, PSAVEB)	V _{IL}		GND	-	0.3	V
Input low level current (INA, INB, EN, PSAVEB)	I _{IL}		-	-	1	μA
Pull-down resistance	R _{PD}		133	200	300	kΩ

Note 6. Not tested in production.

Note 7. Connect 1kΩ between OUTA and OUTB.

Note 8. Connect 1kΩ between VM and OUTA/B, and OUTA/B and GND.

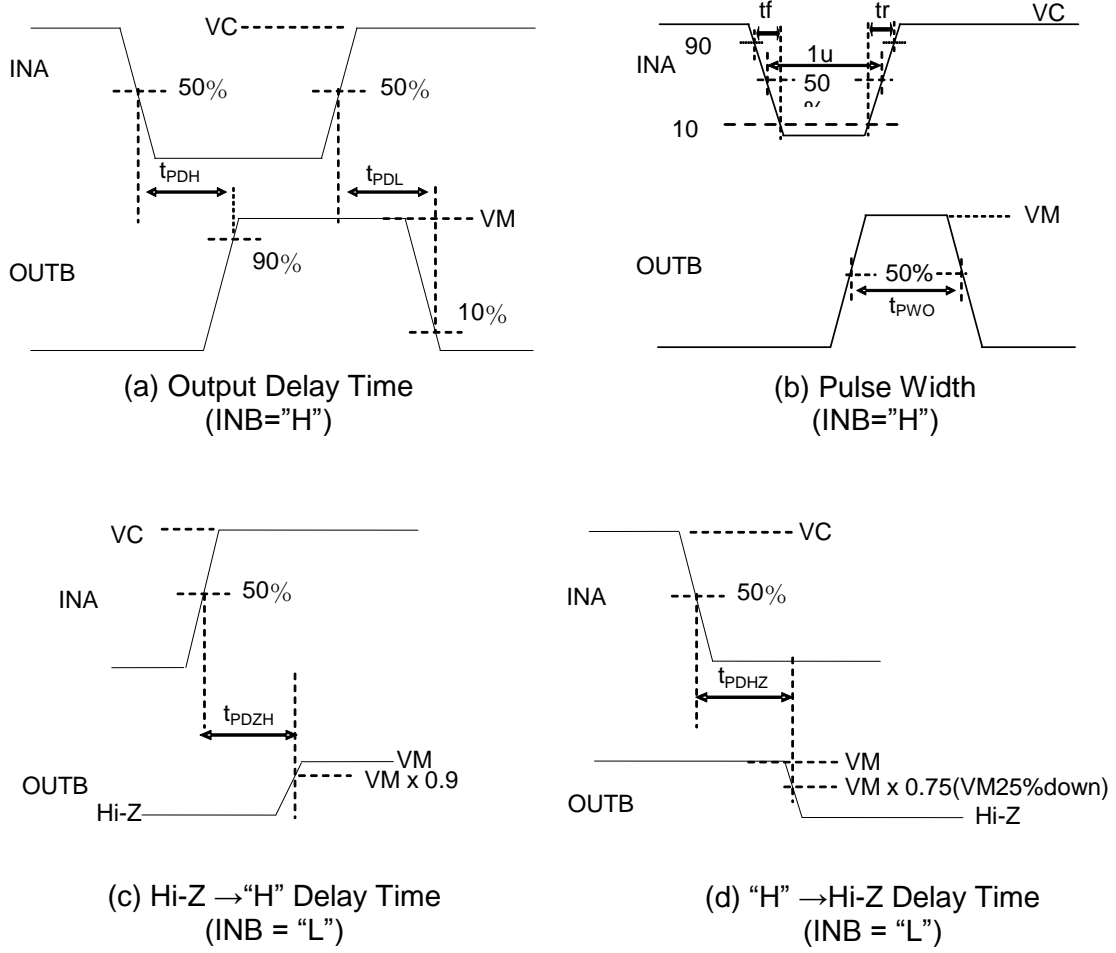


Figure 3. Time Chart (Output delay time, pulse width)

10. Control Logic

The AP1017 is suitable to drive DC motor and voice coil motor. If the input signals are fed to INA and INB, the output signals, OUTA and OUTB are decided as Table 1. The AP1017 includes Under Voltage Lock Out (UVLO) and Thermal Shut Down (TSD) circuits. The UVLO circuit monitors the control voltage (VC). If the VC is less than the specified voltage, the output of the H-bridge goes to high impedance. The TSD circuit monitors the chip temperature. If the temperature of the chip exceeds specified temperature, the output of the H-bridge goes to high impedance. UVLO circuit and TSD circuit have hysteresis levels.

Table 1. Control logic truth table (X: don't care)

PSAVEB	EN	Input		Output		Operation (Note 9)
		INA	INB	OUTA	OUTB	
H	H	L	L	Hi-Z	Hi-Z	Standby(Coast)
H	H	H	L	H	L	Forward (CW)
H	H	L	H	L	H	Reverse (CCW)
H	H	H	H	L	L	Brake
H	L	X	X	L	L	Brake
L	X	X	X	Hi-Z	Hi-Z	Power save (Note 10)

Note 9. See Figure 4.

Note 10. TSD, UVLO, Internal charge pump and VREF circuit stop operation.

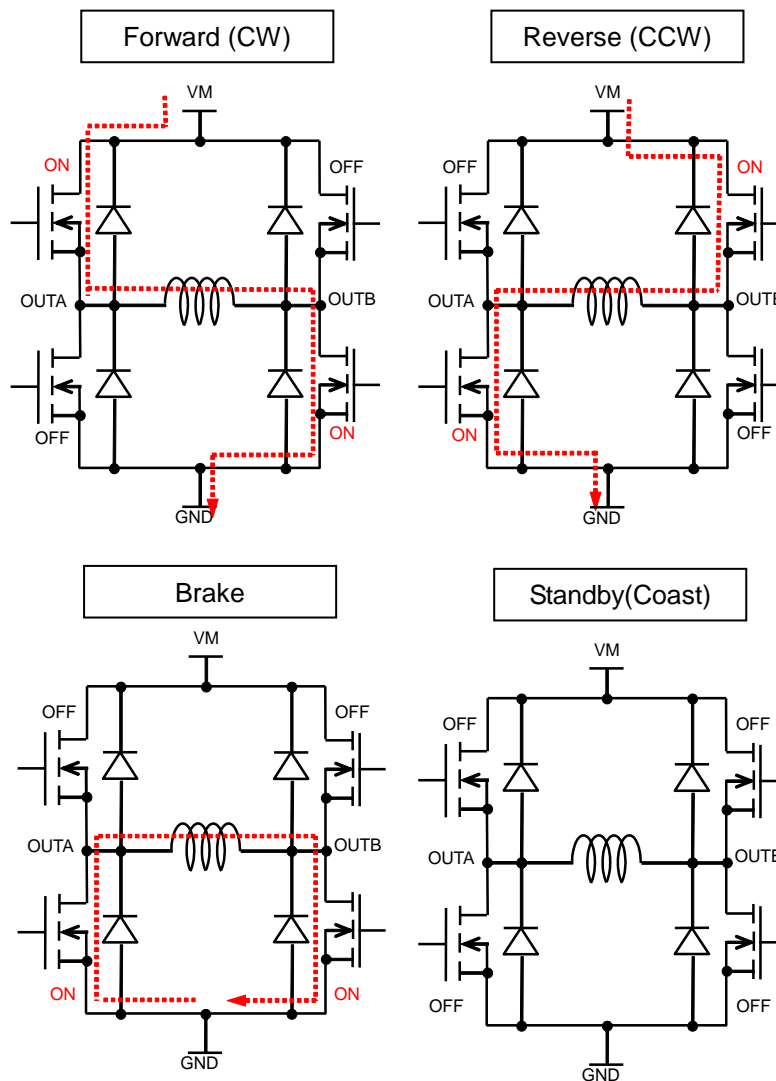


Figure 4. Direction of current

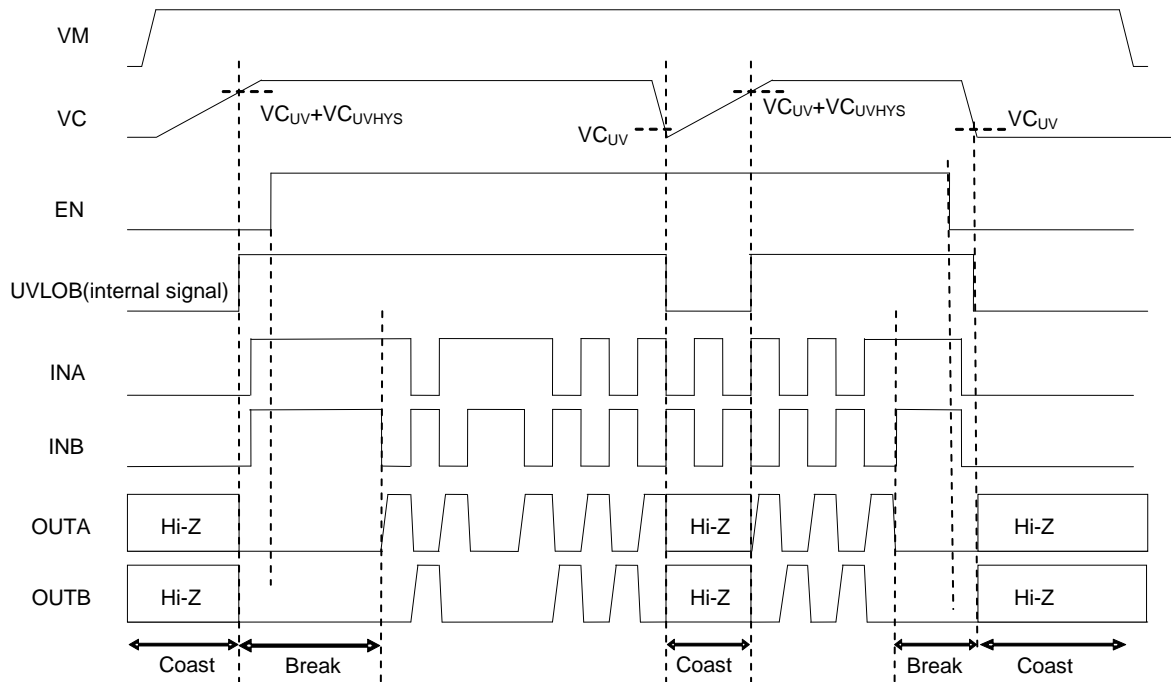


Figure 5. Time Chart (UVLO)

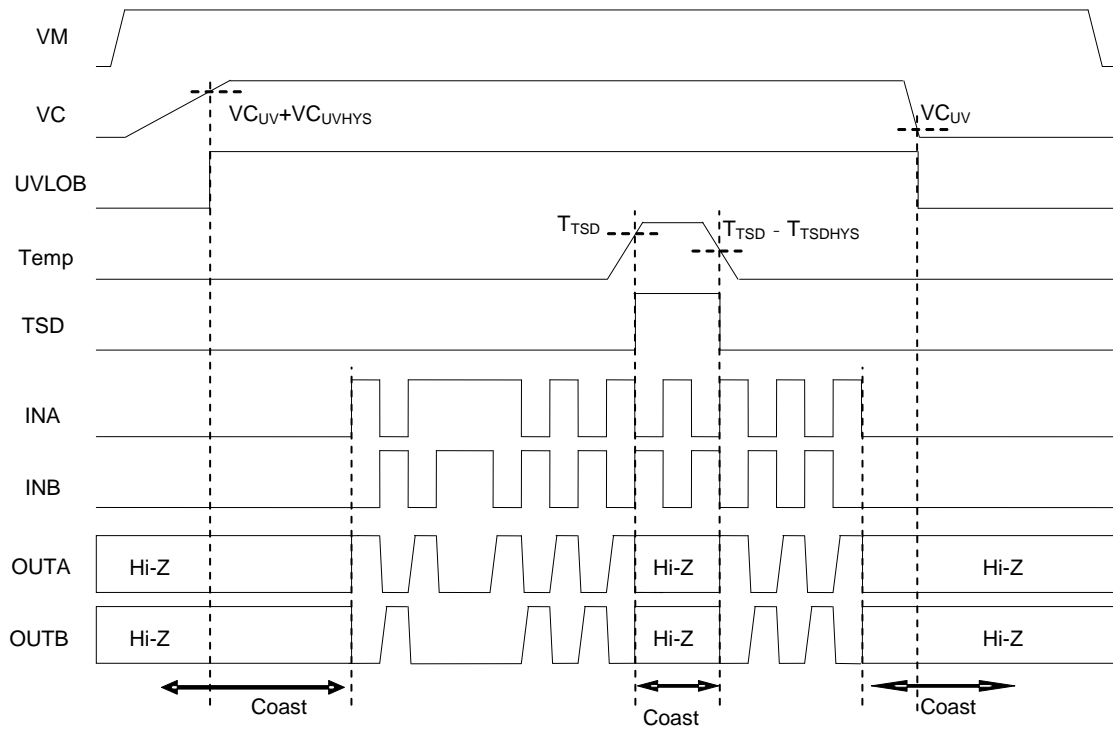


Figure 6. Time Chart (TSD)

11. Recommended External Circuits

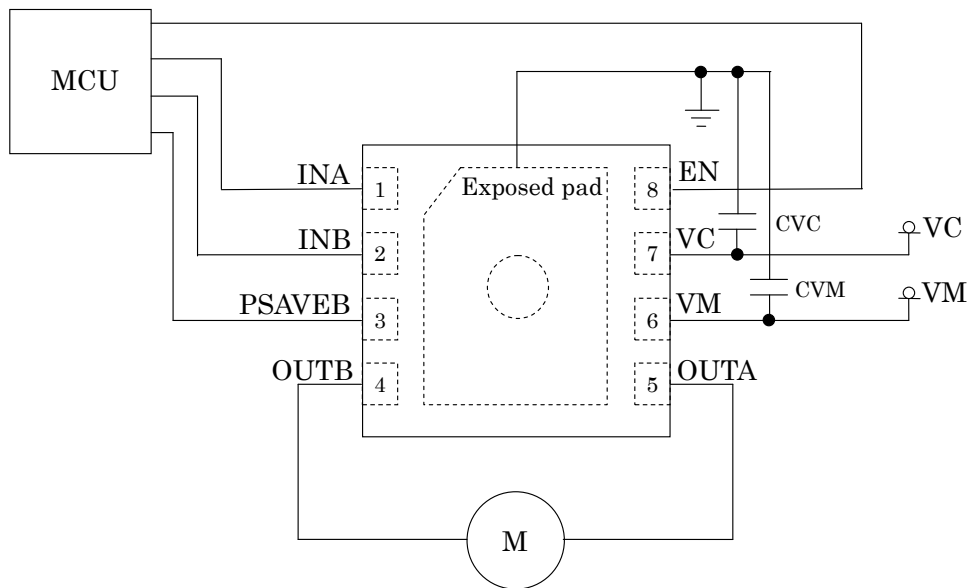


Figure 7. External circuit (Top view)

Table 2. Recommended External Parts

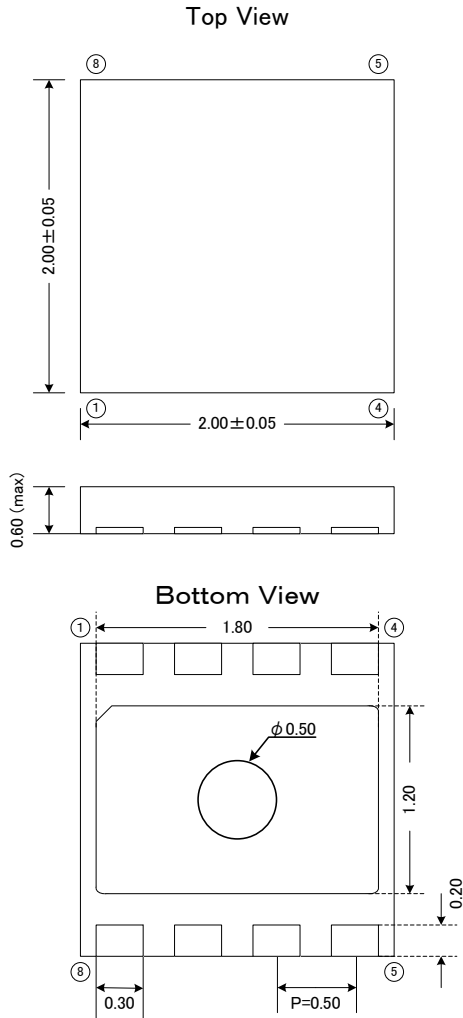
Parameter	Symbol	min	typ	max	Unit	Notes
Motor driver power supply (decoupling capacitor)	CVM	1.0	10	-	μF	(Note 11)
Control power supply (decoupling capacitor)	CVC	0.1	1.0	-	μF	(Note 11)

Note 11. Decoupling capacitors of CVM and CVC should be placed close to the each IC terminal. And these capacitor values should be determined in consideration of the load current profile, the load capacitance, the wiring resistance and etc. of the actual system board.

12. Package

■ Outline Dimensions

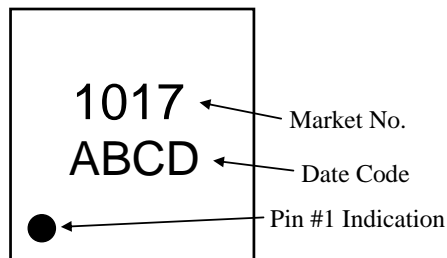
• 8-pin SON (Unit: mm)



Note) Foot Pattern of Exposed pad must not surround the steam via hole.

Unit : mm

■ Marking



ABCD: Date code (4 digit)
 A: Year code (last 1 digit)
 BC: Week code
 D: Management code

13. Revise History

Date (YY/MM/DD)	Revision	Page	Contents
15/03/31	00	-	First Edition

IMPORTANT NOTICE

0. Asahi Kasei Microdevices Corporation (“AKM”) reserves the right to make changes to the information contained in this document without notice. When you consider any use or application of AKM product stipulated in this document (“Product”), please make inquiries the sales office of AKM or authorized distributors as to current status of the Products.
1. All information included in this document are provided only to illustrate the operation and application examples of AKM Products. AKM neither makes warranties or representations with respect to the accuracy or completeness of the information contained in this document nor grants any license to any intellectual property rights or any other rights of AKM or any third party with respect to the information in this document. You are fully responsible for use of such information contained in this document in your product design or applications. **AKM ASSUMES NO LIABILITY FOR ANY LOSSES INCURRED BY YOU OR THIRD PARTIES ARISING FROM THE USE OF SUCH INFORMATION IN YOUR PRODUCT DESIGN OR APPLICATIONS.**
2. The Product is neither intended nor warranted for use in equipment or systems that require extraordinarily high levels of quality and/or reliability and/or a malfunction or failure of which may cause loss of human life, bodily injury, serious property damage or serious public impact, including but not limited to, equipment used in nuclear facilities, equipment used in the aerospace industry, medical equipment, equipment used for automobiles, trains, ships and other transportation, traffic signaling equipment, equipment used to control combustions or explosions, safety devices, elevators and escalators, devices related to electric power, and equipment used in finance-related fields. Do not use Product for the above use unless specifically agreed by AKM in writing.
3. Though AKM works continually to improve the Product’s quality and reliability, you are responsible for complying with safety standards and for providing adequate designs and safeguards for your hardware, software and systems which minimize risk and avoid situations in which a malfunction or failure of the Product could cause loss of human life, bodily injury or damage to property, including data loss or corruption.
4. Do not use or otherwise make available the Product or related technology or any information contained in this document for any military purposes, including without limitation, for the design, development, use, stockpiling or manufacturing of nuclear, chemical, or biological weapons or missile technology products (mass destruction weapons). When exporting the Products or related technology or any information contained in this document, you should comply with the applicable export control laws and regulations and follow the procedures required by such laws and regulations. The Products and related technology may not be used for or incorporated into any products or systems whose manufacture, use, or sale is prohibited under any applicable domestic or foreign laws or regulations.
5. Please contact AKM sales representative for details as to environmental matters such as the RoHS compatibility of the Product. Please use the Product in compliance with all applicable laws and regulations that regulate the inclusion or use of controlled substances, including without limitation, the EU RoHS Directive. AKM assumes no liability for damages or losses occurring as a result of noncompliance with applicable laws and regulations.
6. Resale of the Product with provisions different from the statement and/or technical features set forth in this document shall immediately void any warranty granted by AKM for the Product and shall not create or extend in any manner whatsoever, any liability of AKM.
7. This document may not be reproduced or duplicated, in any form, in whole or in part, without prior written consent of AKM.