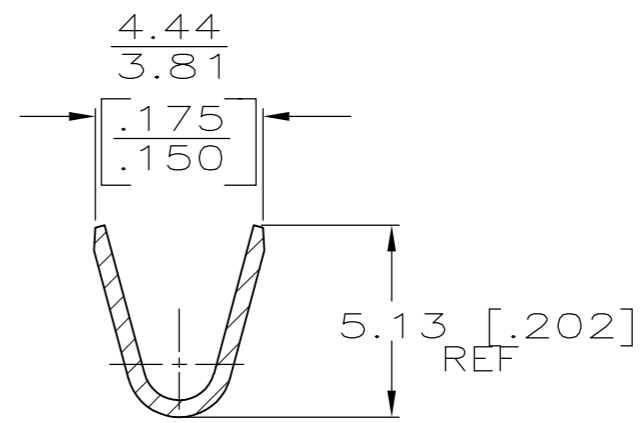
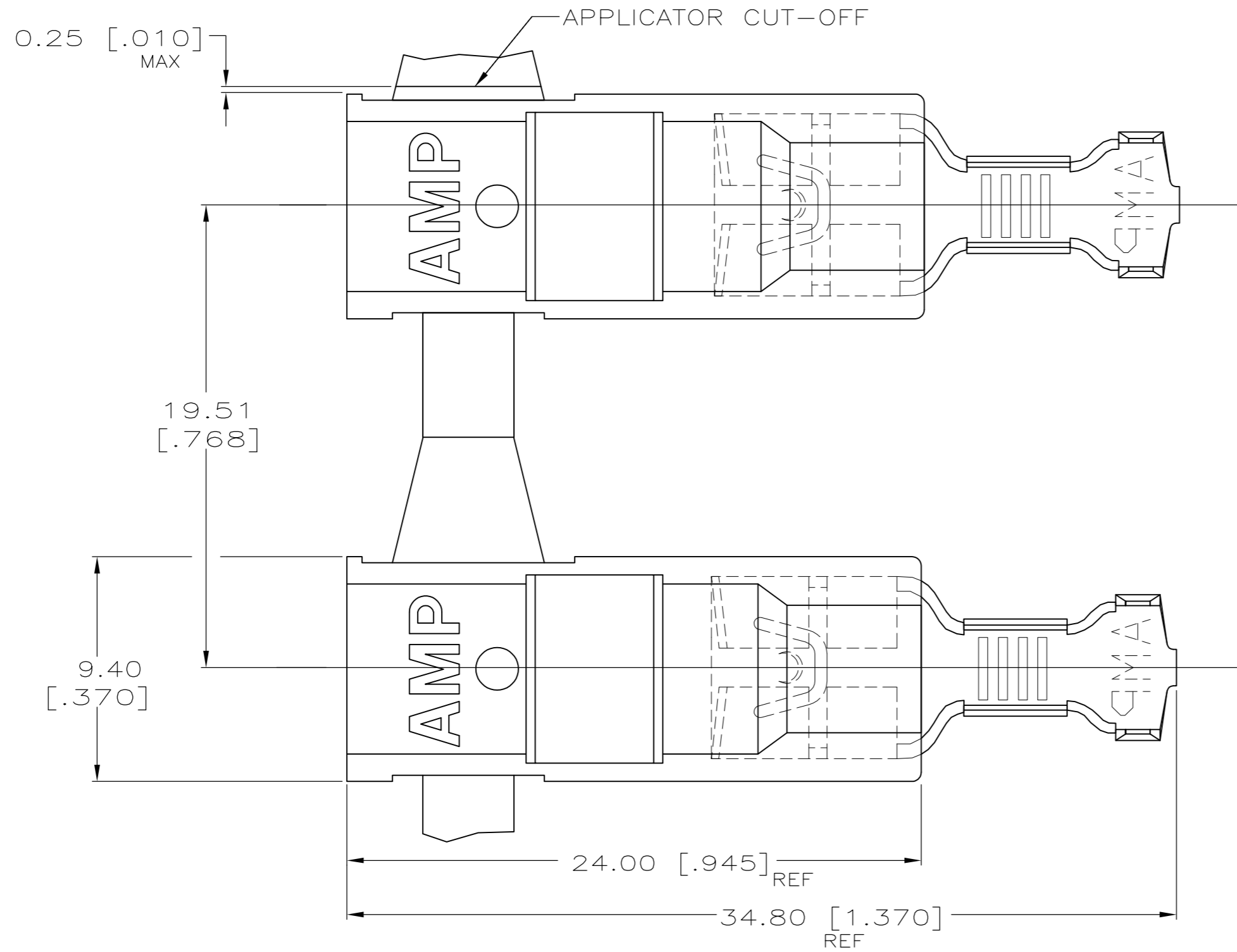
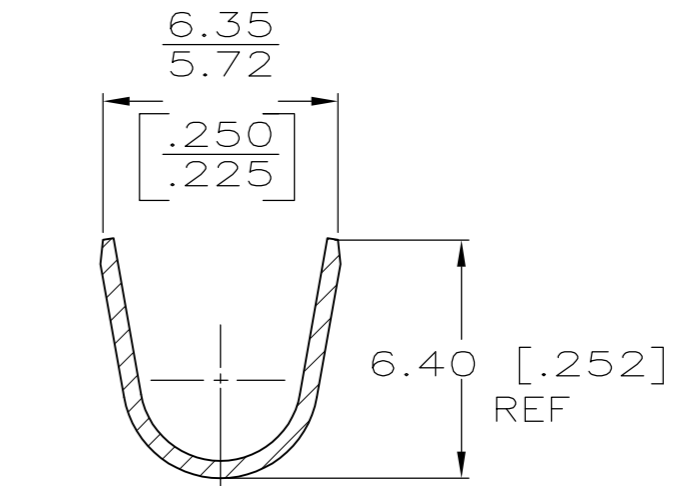
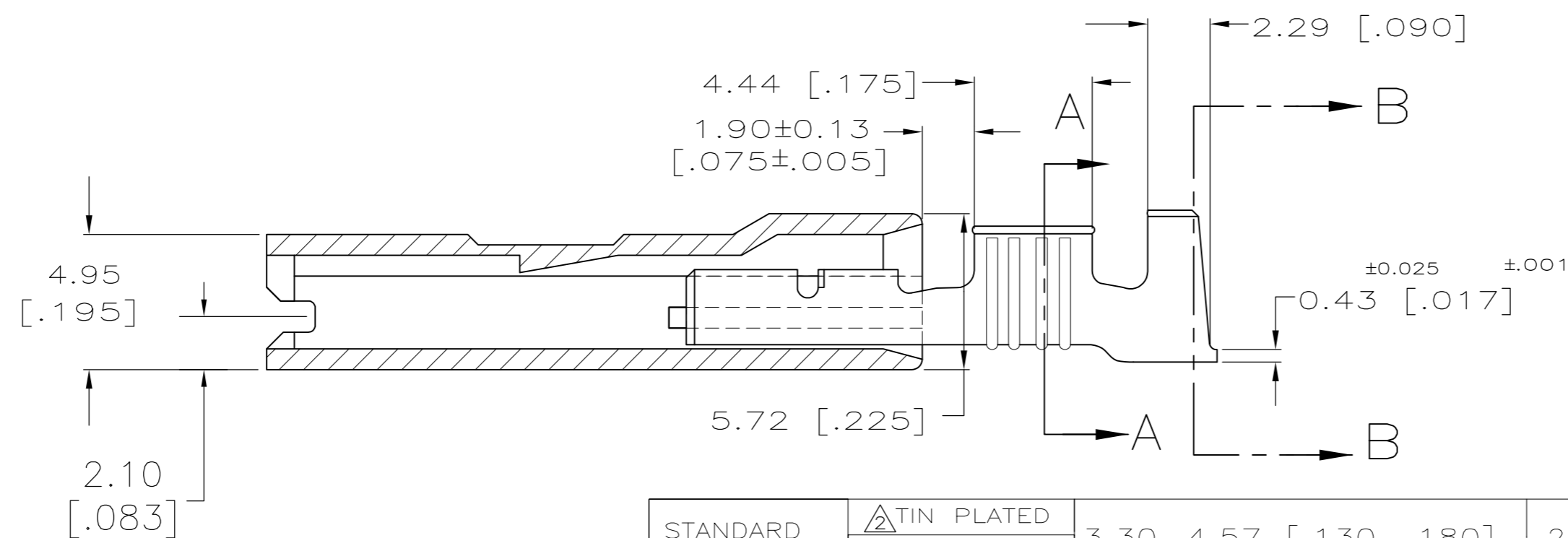


THIS DRAWING IS UNPUBLISHED. RELEASED FOR PUBLICATION  
 © COPYRIGHT - By - ALL RIGHTS RESERVED.

LOC		DIST		REVISIONS			
P	LTR	DESCRIPTION		DATE	DWN	APVD	
AF	50	A2	REVISED PER ECR-12-013219		08JAN13	KH	KR



SECTION A-A



SECTION B-B

1 LOW-INSERTION FASTON TERMINALS, BASE P/N 63639, ARE USED IN THIS PRODUCT.

2 0.002032 [.000080] MIN TIN

STANDARD	TIN PLATED PLAIN	3.30-4.57 [.130-.180]	2.0-5.0 mm [14-10]	0.813 [.032]	521366-2
PACKAGING	TERMINAL FINISH	INSULATION RANGE	WIRE SIZE	MATING TAB THK ± 0.025 [±.001]	PART NO 521366-1
MATERIAL		FINISH		NAME	
HSG - 6/6 V0 NYLON TERMINAL - BRASS		HOUSING - NATURAL TERMINAL - SEE TABLE		TE Connectivity	
DIMENSIONS:		TOLERANCES UNLESS OTHERWISE SPECIFIED:		APVD	
mm [INCHES]		0 PLC ± - 1 PLC ± - 2 PLC ± - 3 PLC ± 0.25 [.010] 4 PLC ± - ANGLES ± -		22NOV00 JR RUTH 22NOV00 MS FEHER 22NOV00 J HUMMEL PRODUCT SPEC 108-1285 APPLICATION SPEC 114-2124	
MATERIAL		FINISH		WEIGHT	
HSG - 6/6 V0 NYLON TERMINAL - BRASS		HOUSING - NATURAL TERMINAL - SEE TABLE		- CUSTOMER DRAWING	
SIZE		CAGE CODE		DRAWING NO	
A2		00779		C=521366	
SCALE		SHEET		REV	
5:1		1 of 1		A2	

521366