

THE INFORMATION CONTAINED HEREIN IS CONSIDERED "PROPRIETARY" TO BEL FUSE INC. AND SHALL NOT BE COPIED, REPRODUCED OR DISCLOSED WITHOUT THE WRITTEN APPROVAL OF BEL FUSE INC.



**DOCUMENT / PART NO.: SI-60060-F**

**TITLE : 10/100BT,TAB DOWN SHIELDED**

<b>ISSUE</b>	<b>DESCRIPTION OF CHANGE</b>	<b>REVIEWED BY</b>	<b>APPROVED BY</b>	<b>ECN#</b>
<b>A0</b>	<b>Use new format and production release</b>	<b>Bain Liu</b>	<b>Steven Weller</b>	<b>06368</b>

<b>PAGE</b>	1	2	3	4	5	--	--	--	--	--	--	--	--	--	--	--	--	--
<b>REV.</b>	A0	A0	A0	A0	A0	--	--	--	--	--	--	--	--	--	--	--	--	--
<b>PAGE</b>	--	--	--	--	--	--	--	--	--	--	--	--	--	--	C1008-F REV A0			
<b>REV.</b>	--	--	--	--	--	--	--	--	--	--	--	--	--	--	24-0070-F REV A0			

THE INFORMATION CONTAINED HEREIN IS CONSIDERED "PROPRIETARY" TO BEL FUSE INC. AND SHALL NOT BE COPIED, REPRODUCED OR DISCLOSED WITHOUT THE WRITTEN APPROVAL OF BEL FUSE INC.

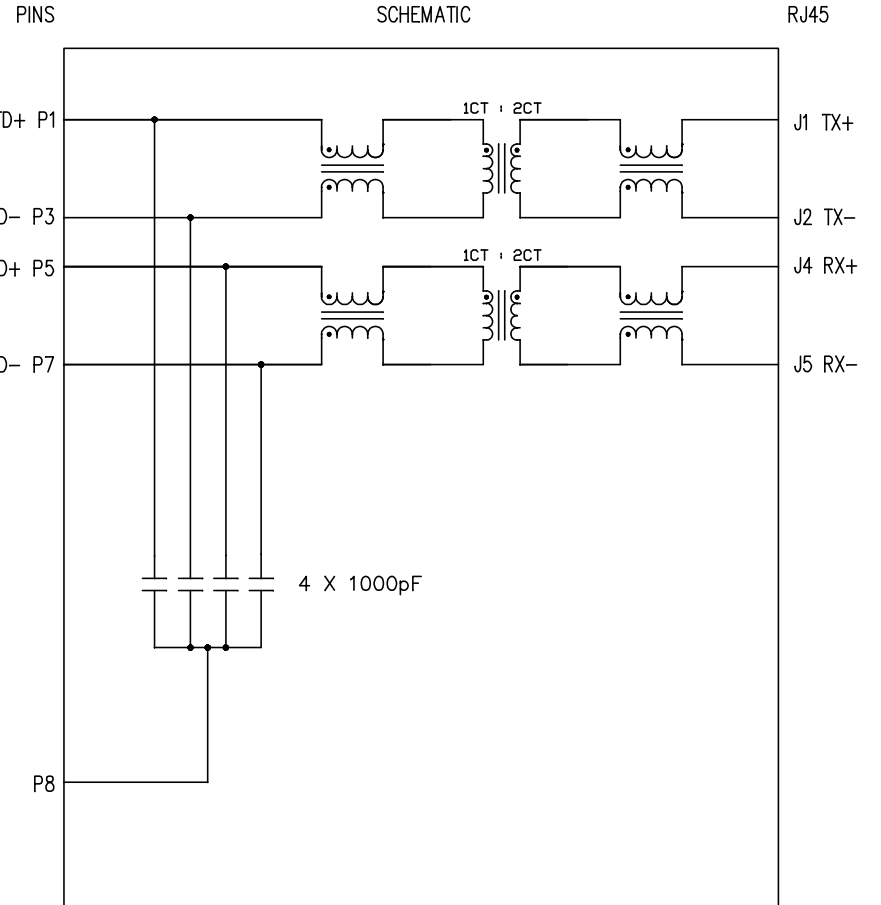
RoHS  
2002/95/EC



ELECTRICAL CHARACTERISTICS @ 25° C

ELECTRICAL SPECIFICATIONS:

- 1.0 TURNS RATIO: (P3-P1) : (J2-J1) : 1 : 2 ± 3%  
(P7-P5) : (J5-J4) : 1 : 2 ± 3%
- 2.0 INDUCTANCE: (P3-P1) ; (P7-P5) : 1.2mH MIN. @ 0.1V, 100KHz
- 3.0 LEAKAGE INDUCTANCE: P3-P1 (WITH J2 AND J1 SHORT) : 0.5uH MAX. @ 1MHz  
P7-P5 (WITH J5 AND J4 SHORT) : 0.5uH MAX. @ 1MHz
- 4.0 INTERWINDING CAPACITANCE: (P3,P1) TO (J2,J1) : 35pf MAX @ 1MHz  
(P7,P5) TO (J5,J4) : 35pf MAX. @ 1MHz
- 5.0 COMMON MODE ATTENUATION: : -20dB TYP @ 5MHz TO 100MHz
- 6.0 HIPOT: (P7-P5) TO (J5-J4) : 1500VAC  
(P3-P1) TO (J2-J1) : 1500VAC
- 7.0 RETURN LOSS: (J1-J2 & J4-J5) 100 OHM REF.  
51KHz TO 102KHz : 12dB MIN  
102KHz TO 2.048MHz : 18dB MIN  
2.048MHz TO 3.072MHz : 14dB MIN  
NOTE ; 25 OHMS CONNECTED TO PINS P1-P3 & P5-P7.
- 8.0 DC RESISTANCE: (P7-P5) ; (P3-P1) : 0.8 ohms Max.

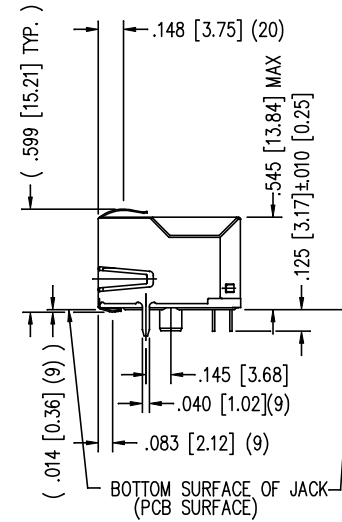
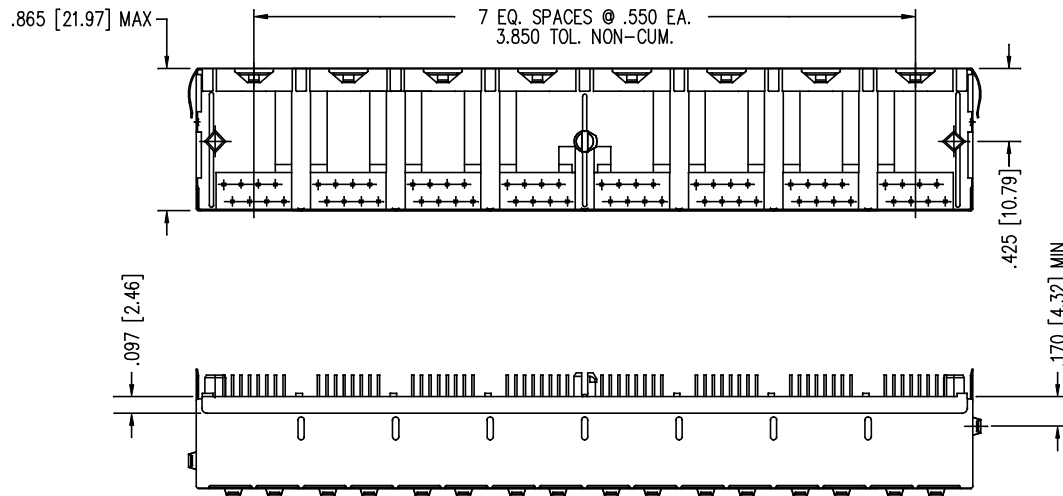
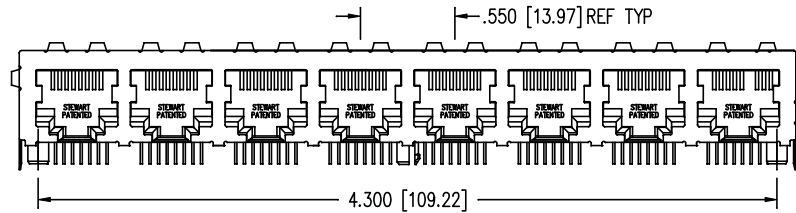
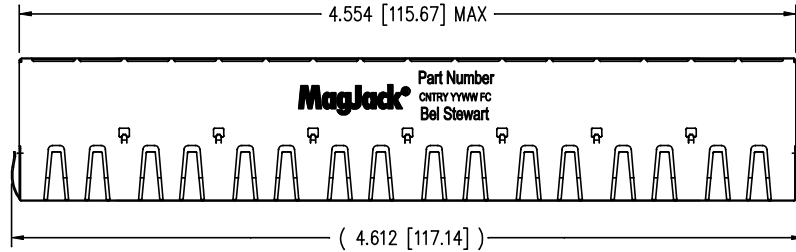


NOTES: 1.0 PINS WITHOUT ELECTRICAL CONNECTION ARE OMITTED.

ORIGINATED BY <b>Zeng Xiao Chun</b>	DATE <b>03-14-2011</b>	TITLE <b>MagJack® 10/100BT TAB DOWN,SHIELDED</b>	PART NO. / DRAWING NO. <b>SI-60060-F</b>	STANDARD DIM. TOL. IN INCH		[ ] METRIC DIM. AS REFERENCE		bel COMPONENTS OR A CONNECTED PLANET
				.X		UNIT : INCH [mm]	REV. : A0	
DRAWN BY <b>Zhang Ru Sheng</b>	DATE <b>03-14-2011</b>		FILE NAME <b>SI-60060-F.DWG</b>	.XX		SCALE : N/A	SIZE : A4	PAGE : 2
				.XXX	±0.005			

THE INFORMATION CONTAINED HEREIN IS CONSIDERED "PROPRIETARY" TO BEL FUSE INC. AND SHALL NOT BE COPIED, REPRODUCED OR DISCLOSED WITHOUT THE WRITTEN APPROVAL OF BEL FUSE INC.

RoHS  
2002/95/EC



NOTES:

- CONNECTOR MATERIALS:  
HOUSING: THERMOPLASTIC UL94 V-0  
CONTACT/SHIELD: COPPER ALLOY  
SHIELD PLATING: NICKEL OR TIN  
CONTACT PLATING: SELECTIVE GOLD,  
50 MICRO-INCHES MIN. IN CONTACT AREA.
- PIN NOT ELECTRICALLY CONNECTED MAYBE OMITTED.  
SEE ELECTRICAL DRAWING FOR OMITTED PINS.
- TOLERANCES COMPLY WITH F.C.C. DIMENSION REQUIREMENTS.
- ALL TOLERANCES NOT OTHERWISE SPECIFIED TO BE ±.005 [0.13]
- REFLOW AND WAVE SOLDER COMPATIBLE-260°C FOR  
10 SECONDS MAX

ORIGINATED BY	DATE
Zeng Xiao Chun	03-14-2011
DRAWN BY	DATE
Zhang Ru Sheng	03-14-2011

TITLE
<b>MagJack®</b>
10/100BT TAB DOWN, SHIELDED

PART NO. / DRAWING NO.
SI-60060-F
FILE NAME
SI-60060-F.DWG

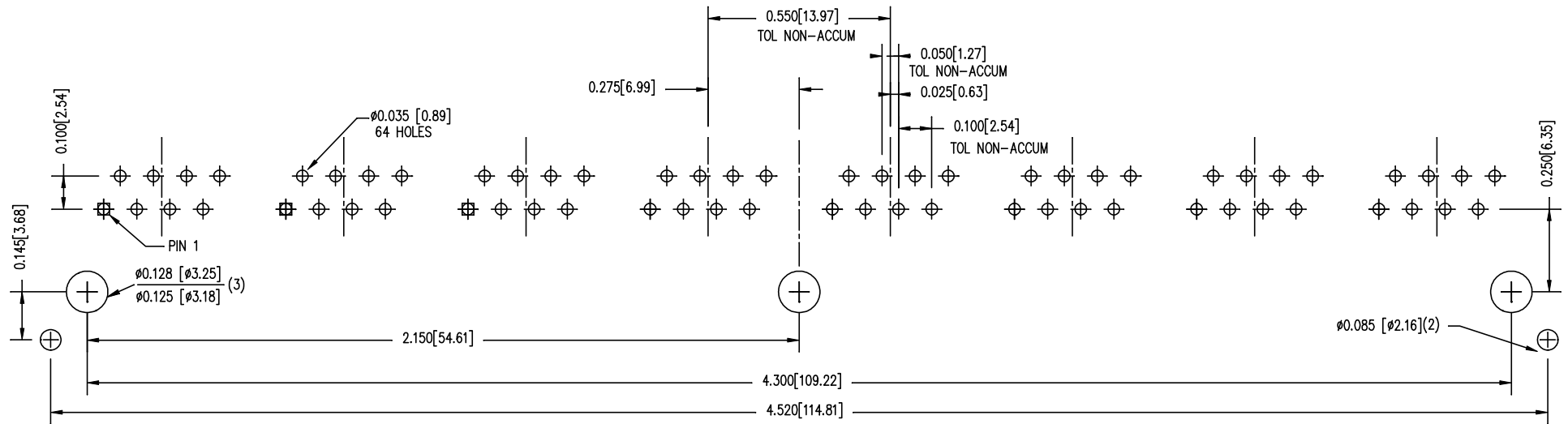
STANDARD DIM.	[ ] METRIC DIM. AS REFERENCE
TOL. IN INCH	UNIT : INCH [mm]
.X	SCALE : N/A
.XX	REV. : A0
.XXX	SIZE : A4
±0.005	PAGE : 3

[ ] METRIC DIM. AS REFERENCE
UNIT : INCH [mm]
SCALE : N/A
REV. : A0
SIZE : A4
PAGE : 3



THE INFORMATION CONTAINED HEREIN IS CONSIDERED "PROPRIETARY" TO BEL FUSE INC. AND SHALL NOT BE COPIED, REPRODUCED OR DISCLOSED WITHOUT THE WRITTEN APPROVAL OF BEL FUSE INC.

RoHS  
2002/95/EC



P.C.B. RECOMMENDED HOLE LAYOUT  
SEEN FROM COMPONENT SIDE  
TOLERANCE ±.003 [0.08] UNLESS OTHERWISE SPECIFIED

ORIGINATED BY	DATE
Zeng Xiao Chun	03-14-2011
DRAWN BY	DATE
Zhang Ru Sheng	03-14-2011

TITLE
<b>MagJack®</b>
10/100BT TAB DOWN, SHIELDED

PART NO. / DRAWING NO.
SI-60060-F
FILE NAME
SI-60060-F.DWG

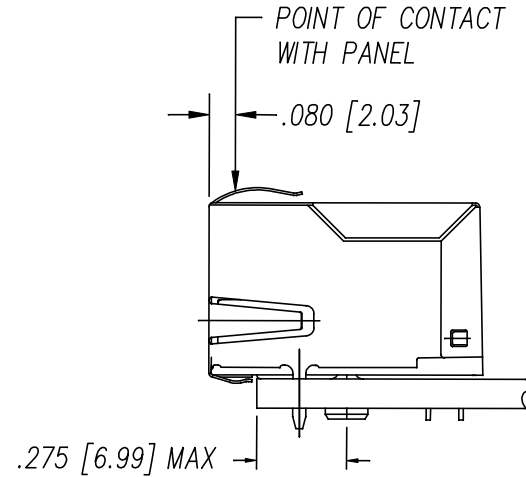
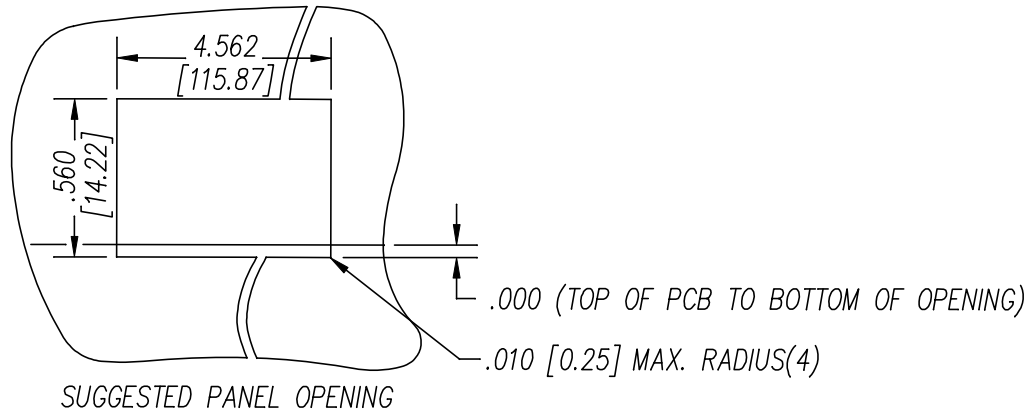
STANDARD DIM.	[ ] METRIC DIM. AS REFERENCE
TOL. IN INCH	UNIT : INCH [mm]
.X	REV. : A0
.XX	SCALE : N/A
.XXX	SIZE : A4
±0.005	PAGE : 4

[ ] METRIC DIM. AS REFERENCE
UNIT : INCH [mm]
SCALE : N/A
SIZE : A4
PAGE : 4



THE INFORMATION CONTAINED HEREIN IS CONSIDERED "PROPRIETARY" TO BEL FUSE INC. AND SHALL NOT BE COPIED, REPRODUCED OR DISCLOSED WITHOUT THE WRITTEN APPROVAL OF BEL FUSE INC.

RoHS  
2002/95/EC



1. THE SUGGESTED PANEL OPENING IS INTENDED TO GIVE THE USER THE ABILITY TO HAVE REASONABLE JACK / PANEL CLEARANCES YET MAINTAIN RELIABLE GROUNDING CAPABILITY.
2. ALL TOLERANCES NOT OTHERWISE SPECIFIED TO BE  $\pm 0.005$  [0.13]

ORIGINATED BY	DATE	TITLE	PART NO. / DRAWING NO.	STANDARD DIM.	[ ] METRIC DIM. AS REFERENCE	
Zeng Xiao Chun	03-14-2011	<b>MagJack®</b> 10/100BT TAB DOWN, SHIELDED	SI-60060-F	TOL. IN INCH	UNIT : INCH [mm]	REV. : A0
DRAWN BY	DATE		FILE NAME	.X	SCALE : N/A	SIZE : A4
Zhang Ru Sheng	03-14-2011		SI-60060-F.DWG	.XX		PAGE : 5
				.XXX		$\pm 0.005$

