

SAFETY ORGANIZATION(S):

THIS FILTER HAS BEEN FORMALLY RECOGNIZED, CERTIFIED OR APPROVED BY THE LISTED AGENCY. THEREFORE, ALL TEST/REQUIREMENTS SPECIFIED IN THE LATEST REVISION OF THE FOLLOWING AGENCY STANDARDS HAVE BEEN MET:

UL RECOGNIZED
CSA CERTIFIED
VDE APPROVED

UL 1283
CSA 22.2, NO.0,0.4,8
VDE 565-3

OPERATING SPECIFICATIONS:

LINE VOLTAGE/CURRENT:

LINE FREQUENCY:
MAX. CASE RISE θ RATED CURRENT:
MAX. LEAKAGE CURRENT, EACH LINE TO GROUND
OPERATING AMBIENT TEMP. RANGE:

IN AN AMBIENT, T_a , HIGHER THAN 40°C, THE MAXIMUM OPERATING CURRENT, I_o , IS AS FOLLOWS:

$$I_o = I_r \sqrt{\frac{85 - T_a}{45}}$$

RELIABILITY SPECIFICATIONS:

STORAGE TEMPERATURE:
HUMIDITY:
CURRENT OVERLOAD TEST:

-40°C TO +85°C
21 DAYS @ 40°C 95% RH
6 TIMES RATED CURRENT FOR 8 SECONDS

TEST SPECIFICATIONS:

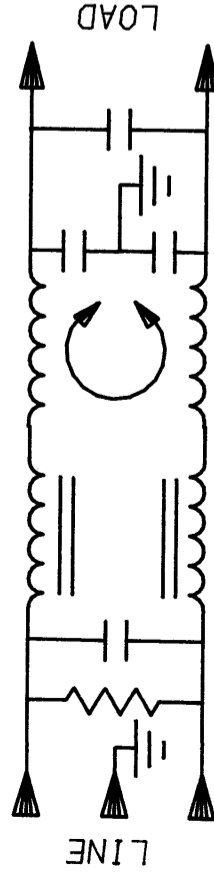
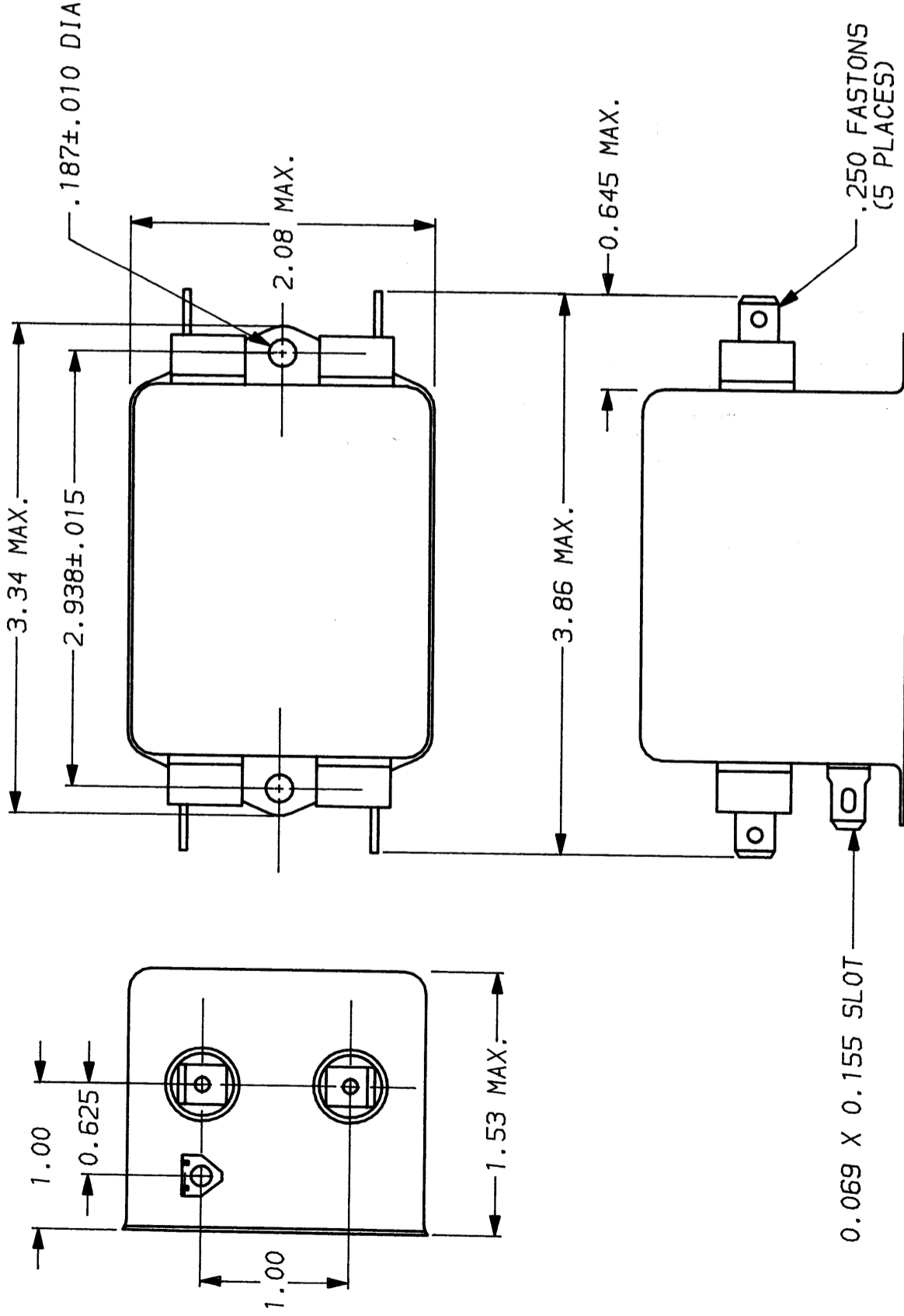
INDUCTANCE: 1.8 mH NOMINAL
CAPACITANCE: (MEASURED @ 1 KHZ, 0.25 VAC MAX., 25°C \pm 1°C)
LINE TO GROUND: .011 μ F \pm 20%
LINE TO LINE: .543 μ F \pm 20%
DISCHARGE RESISTOR: 330 K Ω
LINE/GROUND AND LINE/LINE INSULATION RESISTANCE (W/O DISCHARGE RESISTOR) 6000 M Ω (MIN) AT 100 VDC 20°C AND 50% RH

RECOMMENDED RECEIVING INSPECTION HIPOT:

LINES TO GROUND: 2250 VDC FOR 1 MINUTE
LINE TO LINE: 1450 VDC FOR 1 MINUTE

FILTER APPROVAL:

THE BEST WAY TO SELECT AND QUALIFY A FILTER IS FOR YOUR ENGINEERING TO TEST THE UNIT IN YOUR EQUIPMENT.



50 Ω - 50 Ω (MINIMUM) INSERTION LOSS									
FREQUENCY MHz	.15	.5	1	2	5	10	20	30	
COMMON dB	18	33	41	45	37	49	49	53	
DIFF. dB	35	65	65	65	60	45	50	50	

This document is proprietary to CORCOM INC. and is not to be reproduced nor used for manufacturing purposes except on CORCOM's order or prior written consent.

TOLERANCE EXCEPT AS NOTED
DECIMAL: .XXX .XX .X ANGLES \pm 1°
ENGLISH: \pm .025
METRIC: \pm _____

MATERIAL: AS SUPPLIED

FINISH: AS SUPPLIED

CORCOM
LIBERTYVILLE, IL 60048
POWER LINE FILTER

SCALE	DATE	DRG. NO.	REV.
NTS	9-12-89	6VS1	06
DRW. BY	ORIGINATOR		
TDL	CW		