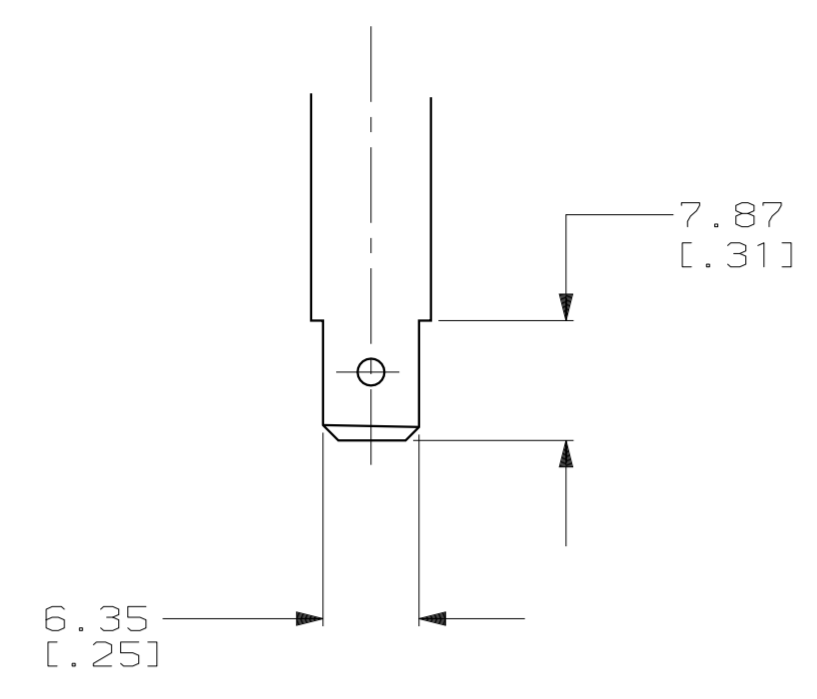
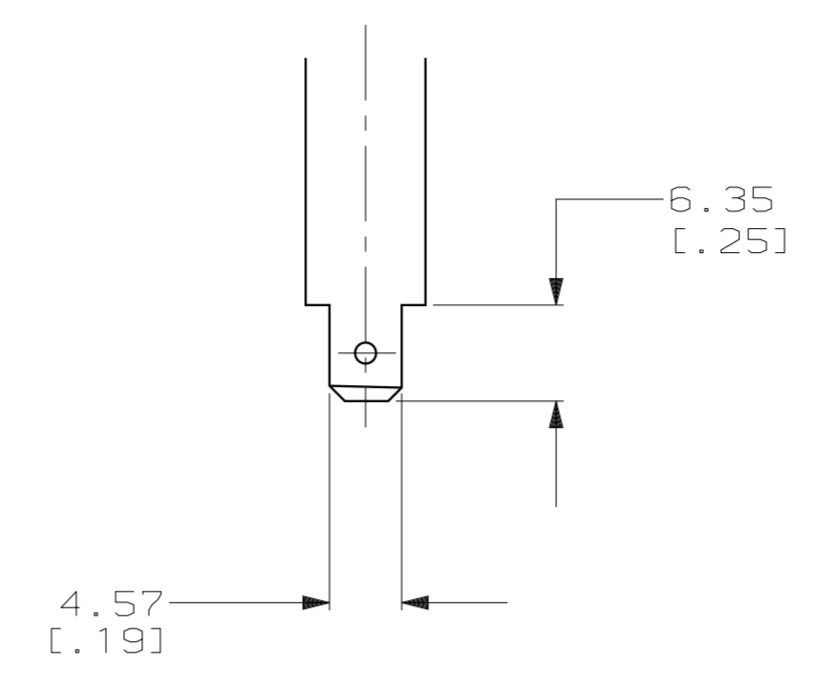


LOC	DIST	P	F	ZONE	LTR	REVISIONS	DATE	APPD
EY	25				D	REDRAWN, REV, EC0230-0306-94	11-15-94	GF

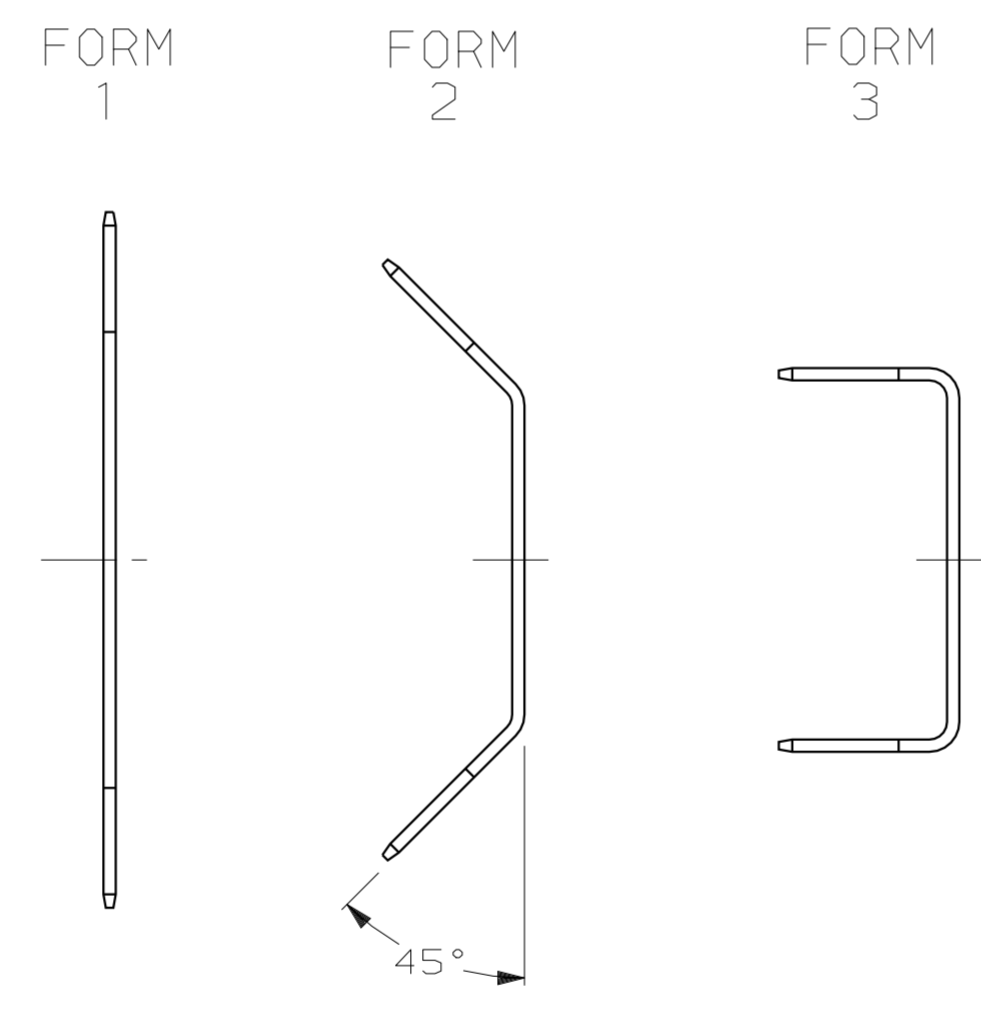
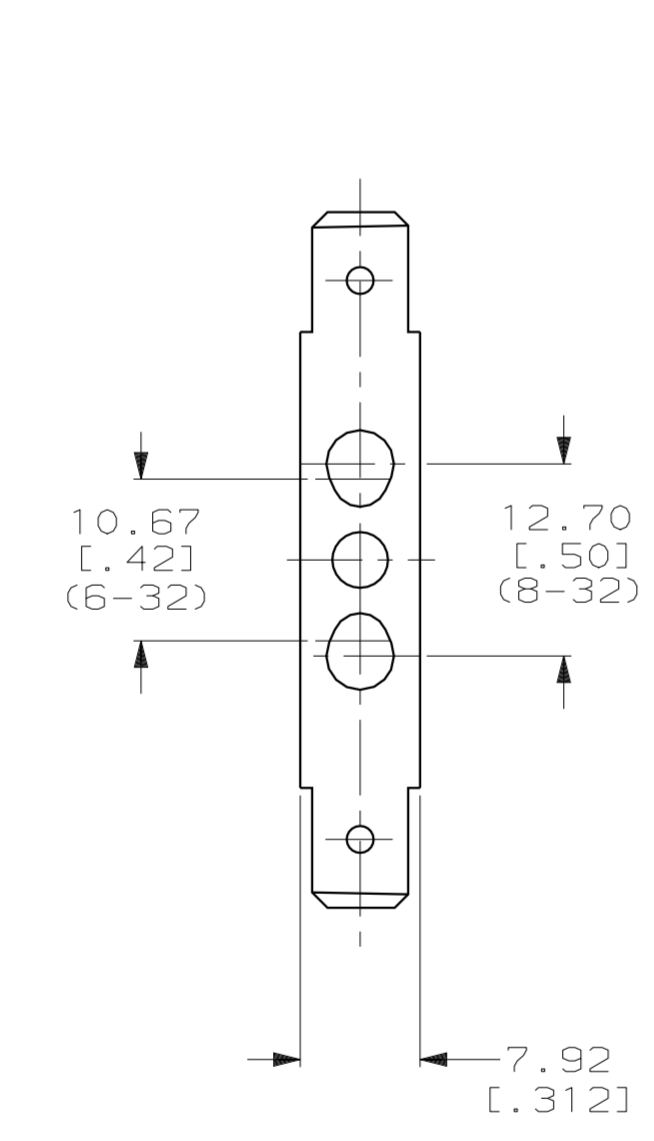


END 'A'  
 .79  
 [.031] THK.



END 'C'  
 .51  
 [.020] THK.

- ① PART NUMBER 3-601989-1 PACKAGED 100 PER CARTON.
- ② PART NUMBER 3-601989-2 PACKAGED 100 PER CARTON.
- ③ PART NUMBER 3-601989-3 PACKAGED 100 PER CARTON.



③	A	3	3-601989-3
②	A	2	3-601989-2
①	A	1	3-601989-1
-	C	3	1-601989-5
-	C	2	1-601989-4
-	C	1	1-601989-3
-	A	3	601989-3
-	A	2	601989-2
-	A	1	601989-1
PACKAGE	END	FORM	PART NO.

DO NOT SCALE PRINT. UNLESS SPECIFIED DIMENSIONS IN mm [INCHES]		PART NO	
DR 11-15-94 G. FOSTER	CHK 12-2-94 N. JONES	AMP Incorporated Harrisburg, PA 17105-3608	
APPD 12-5-94 D. KAAT	APPD 12-6-94 F. HARNED		
MATERIAL BRASS 70-30 1/2 HD	PRODUCT SPEC -	NAME FASTON TAB, DOUBLE END	
FINISH ELECTROTIN	APPLICATION SPEC -	SIZE D	CAGE CODE 00779
WEIGHT -	SCALE 2:1	DRAWING NO C=601989	SHEET 1 OF 2

THIS DRAWING IS A CONTROLLED DOCUMENT FOR AMP INCORPORATED. IT IS SUBJECT TO CHANGE AND THE CONTROLLING ENGINEERING ORGANIZATION SHOULD BE CONTACTED FOR THE LATEST REVISION.