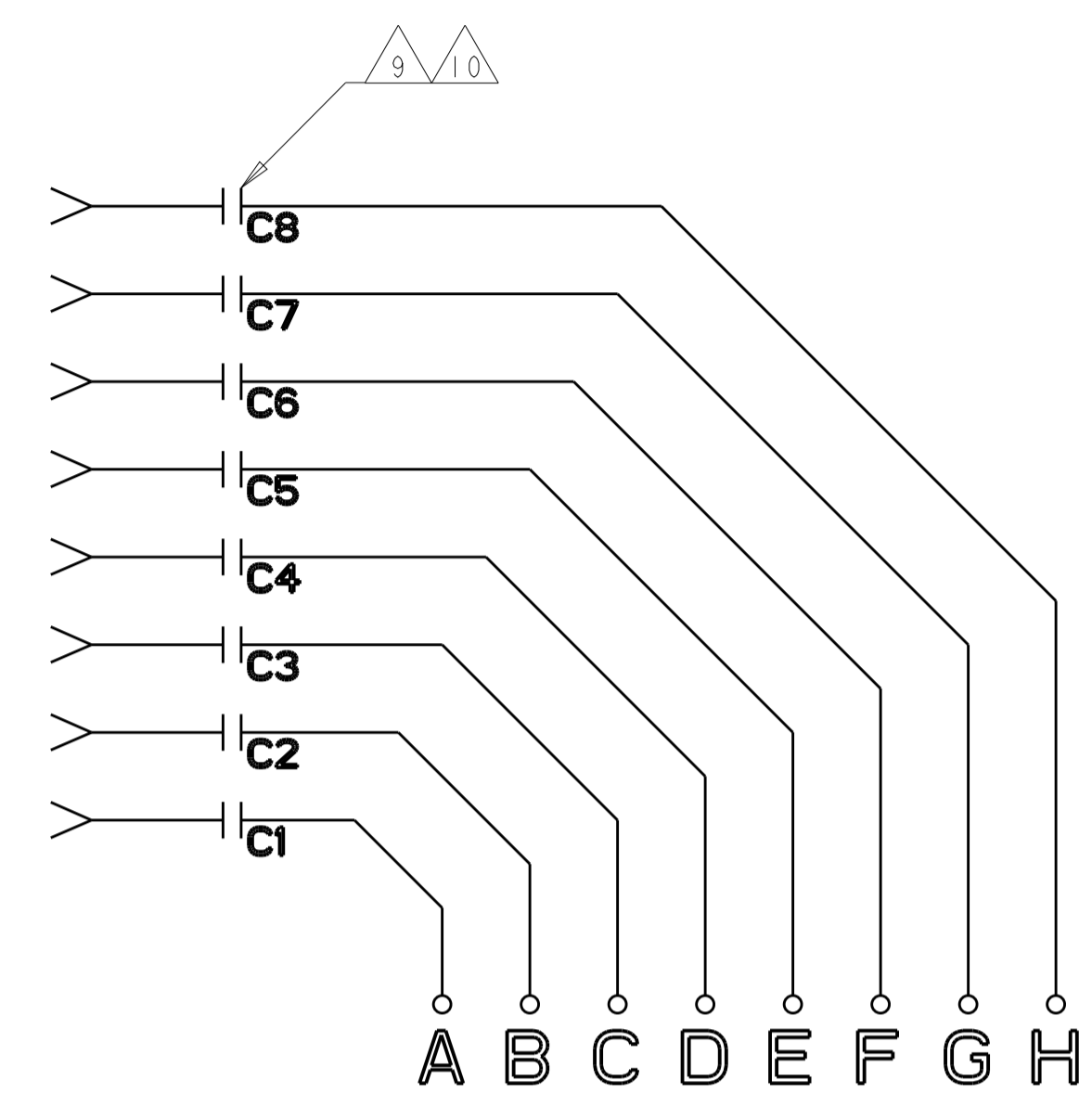
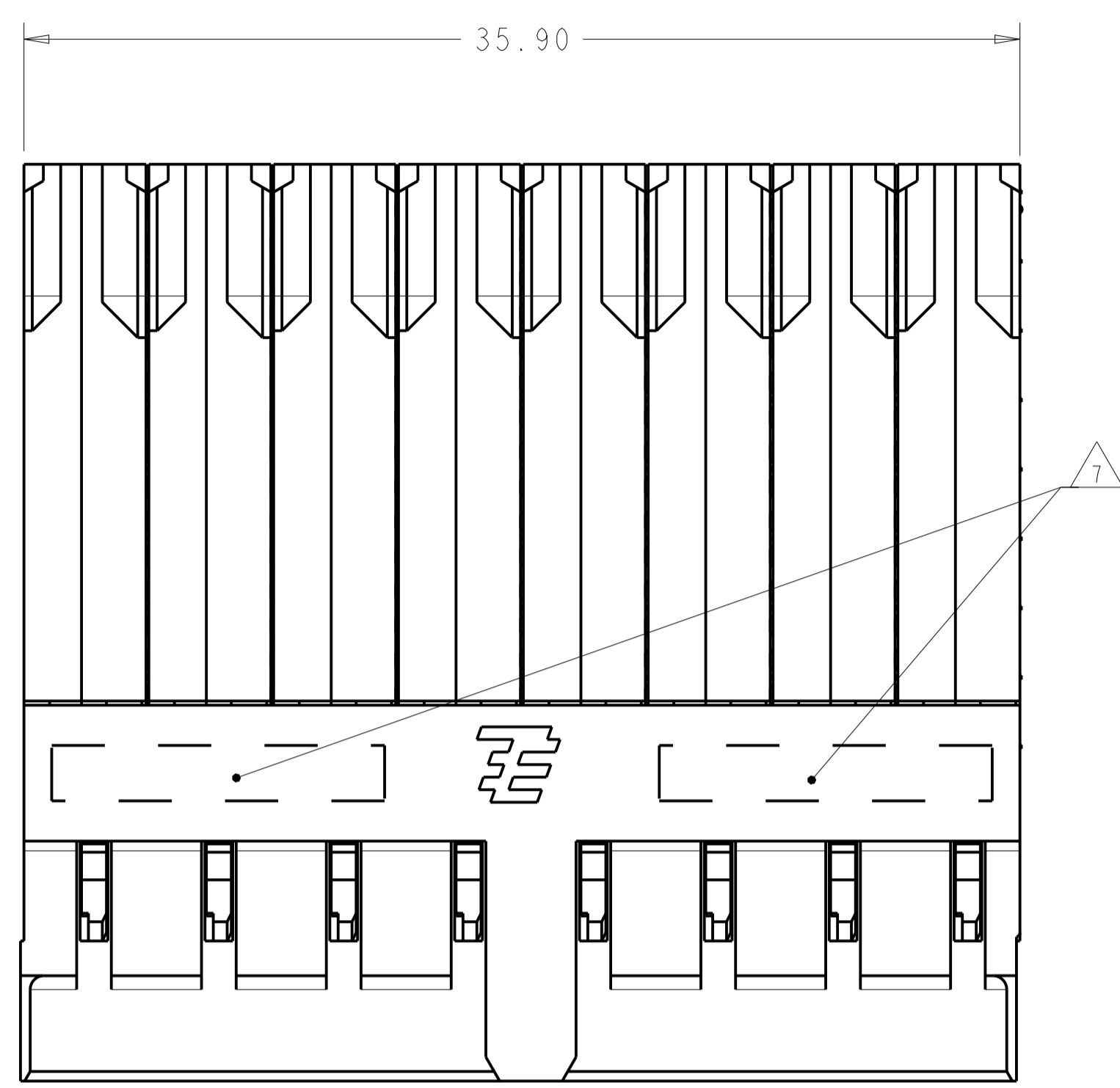
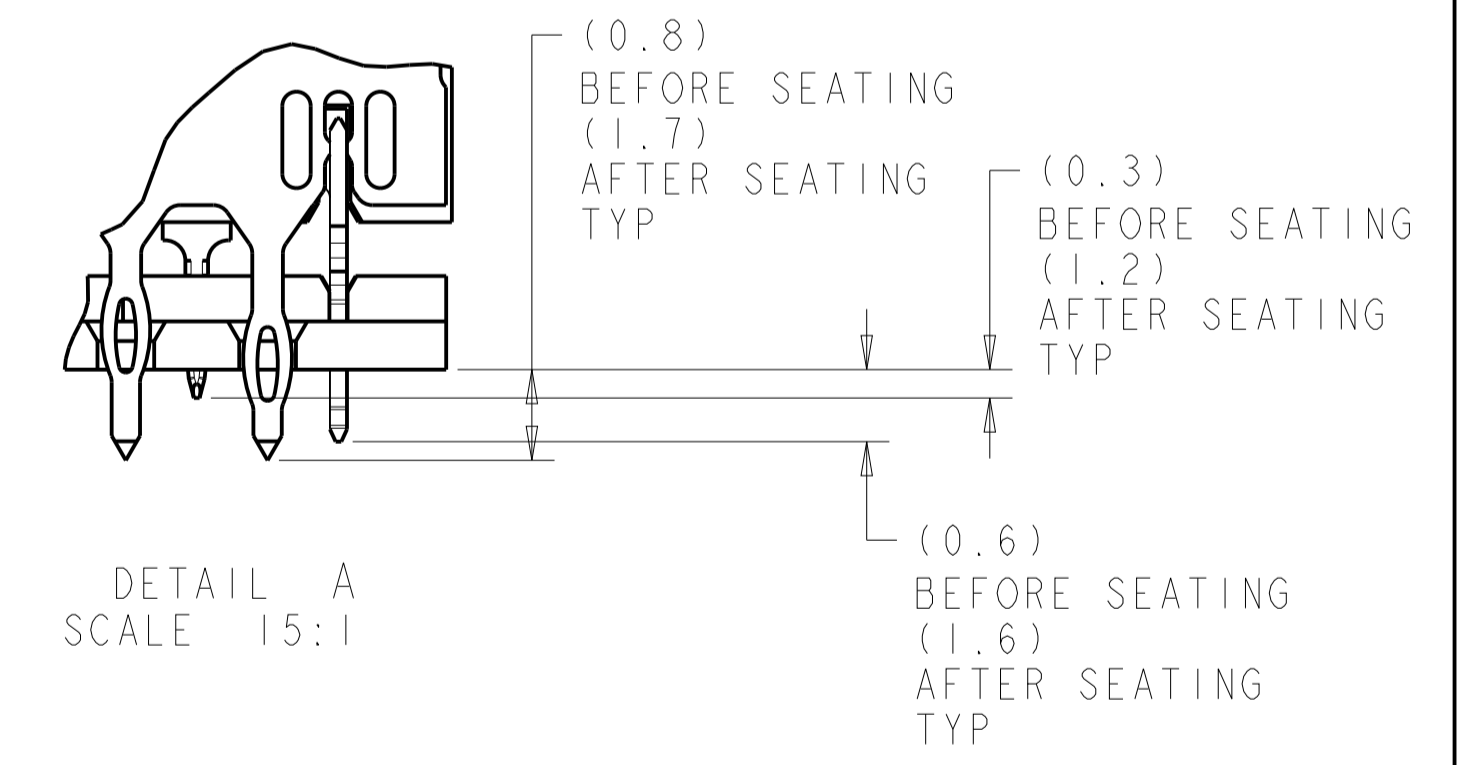
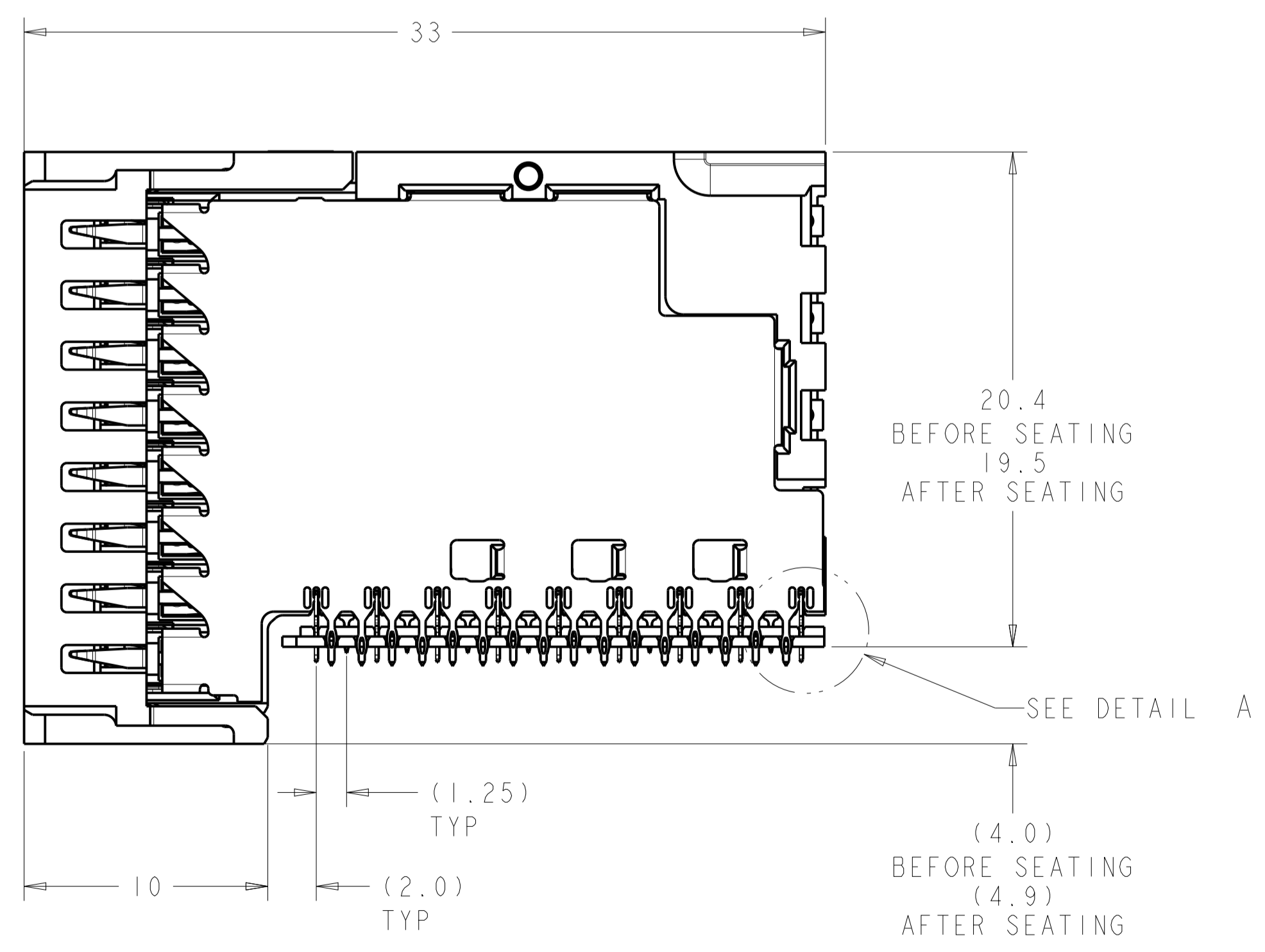
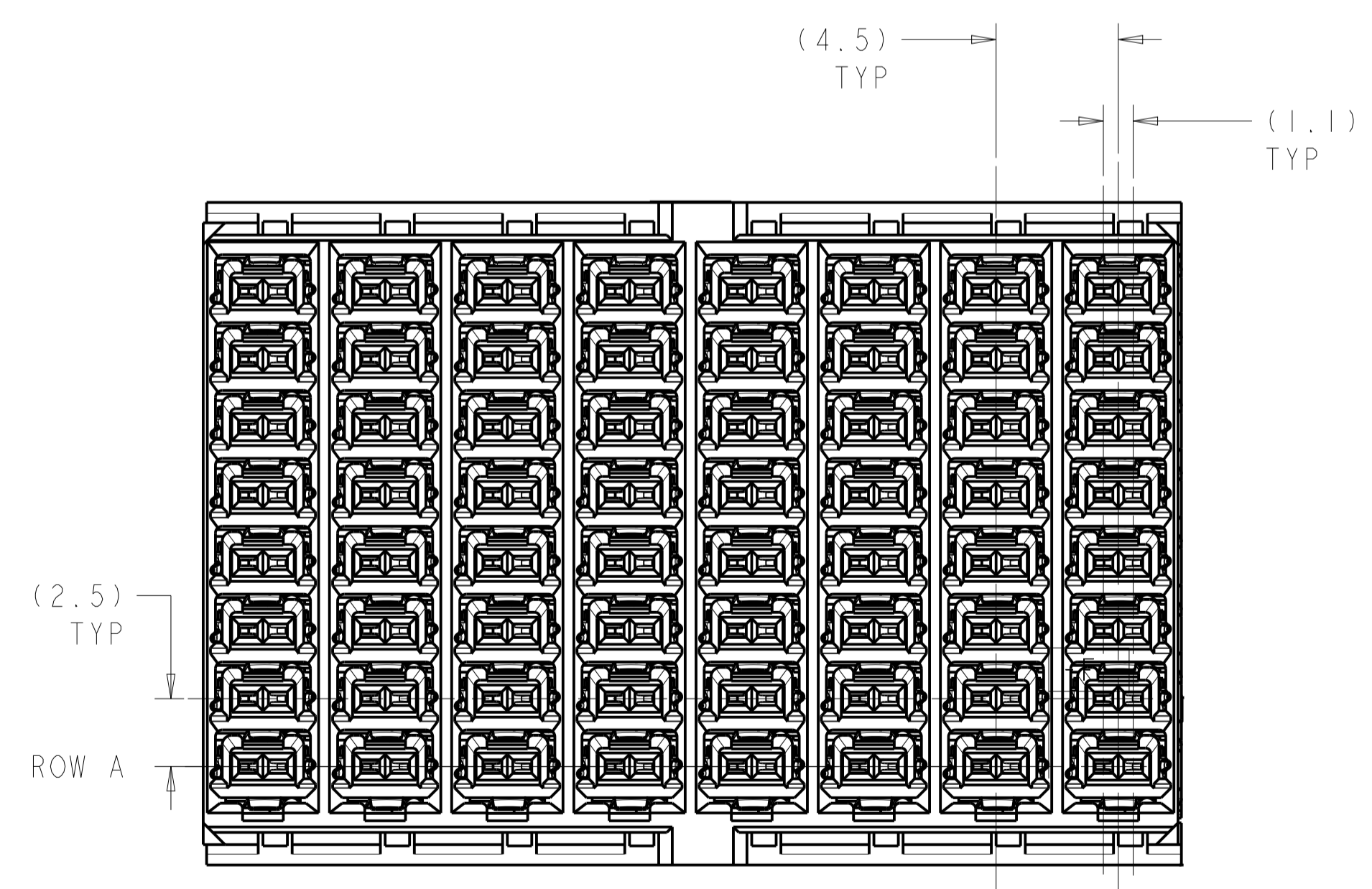


LOC	DIST	REVISIONS			
P	LTN	DESCRIPTION	DATE	DMN	APVD
GP	00				
1		PRELIMINARY	07JAN2014	RT	NS
2		REPLACED FOOTPRINT, LAYOUT ERROR	28MAR2014	RT	NS



WIRING DIAGRAM
APPLIES TO SIGNAL LEADS IN COLUMNS
2-3, 5-6, 8-9, 11-12, 14-15, 17-18, 20-21, 23-24

- △ MATERIAL:
CONTACT AND SHIELD - COPPER ALLOY.
HOUSINGS, AND ORGANIZER - THERMOPLASTIC, UL 94V-0, BLACK.
- △ CONFORMS TO REQUIREMENTS OF TE PRODUCT SPECIFICATION 108-2413, 108-32037, BASED ON TELCORDIA GR-1217-CORE FOR SYSTEM QUALITY LEVEL III APPLICATION IN CONTROLLED ENVIROMENTS (CENTRAL OFFICE)
- △ PLATED THRU HOLE REQUIREMENTS:
FINISHED HOLE = $\varnothing 0.344 \pm 0.039$
DRILLED HOLE = $\varnothing 0.420 \pm 0.013$
COPPER THICKNESS = 0.038 ± 0.013
IMMERSION TIN IF APPLICABLE = 0.00051 ± 0.00013
- △ PLATED THRU HOLE REQUIREMENTS:
FINISHED HOLE = $\varnothing 0.244 \pm 0.039$
DRILLED HOLE = $\varnothing 0.320 \pm 0.013$
COPPER THICKNESS = 0.038 ± 0.013
IMMERSION TIN IF APPLICABLE = 0.00051 ± 0.00013
- △ PTH DIMENSIONS APPLY TO 1.00mm DEPTH FROM MOUNT SIDE OF PCB.
- △ HOLE POSITION TOLERANCE APPLIES WITHIN PATTERN FOR CONNECTOR PATTERN TO CONNECTOR PATTERN, A 0.12 \varnothing POSITION TOLERANCE APPLIES.
- △ CONNECTOR MARKED WITH PART NUMBER, DATE CODE, EMBEDDED CAPACITOR IDENTIFICATION MARKINGS, MANUFACTURING LOCATION IDENTIFICATION CODE, AND 2D BARCODE IN APPROXIMATE AREA SHOWN.
- 8. CONTACT AREA LUBRICATED WITH BELLCORE APPROVED LUBRICANT. TECHNICAL REFERENCE: GR-1217-CORE, ISSUE 2, DECEMBER 2008.
- △ ALL CAPACITORS: $0.1\mu f \pm 10\%$ 4V 0201 CERAMIC.
- △ SIGNAL LINES WILL APPEAR AS OPEN CIRCUITS IF CHECKED FOR CONTINUITY. PRESENCE OF CAPACITORS CAN BE VERIFIED BY MEASURING ACROSS SIGNAL LINE TAIL TO MATING INTERFACE WITH A CAPACITANCE METER.



TIN	2274543-2
TIN-LEAD	2274543-1
PRESS-FIT TAIL PLATING	PART NO

THIS DRAWING IS A CONTROLLED DOCUMENT.

DIMENSIONS:	TOLERANCES UNLESS OTHERWISE SPECIFIED:	OWN: R. IREA 07JAN2014	CHK: N. SWANGER 07JAN2014	APVD: N. SWANGER 07JAN2014
mm	0 PLC ± 0.2 2 PLC ± 0.2 3 PLC ± 0.08 4 PLC ± 0.13 ANGLES \pm	PRODUCT SPEC: 108-2413	APPLICATION SPEC: 114-13301	WEIGHT: -
MATERIAL:	FINISH: SEE TABLE	Customer Drawing	SCALE: 5:1	SHEET 1 OF 2

STE TE Connectivity

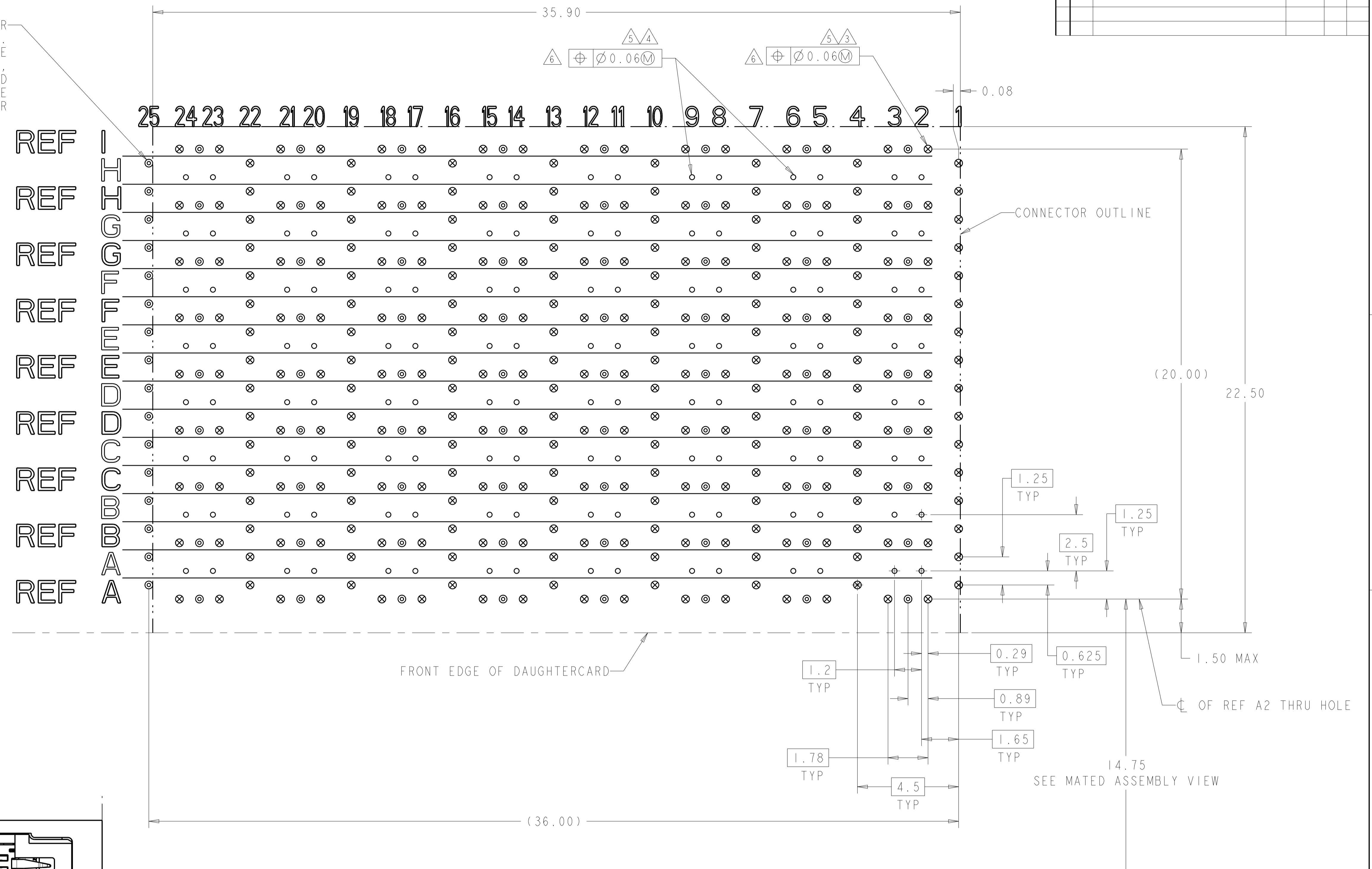
NAME: RECEPTACLE ASSY, EMBEDDED CAPS, 8 PAIR 8 COLUMN, RIGHT ANGLE, 4.5mm PITCH, STRADA WHISPER 360

SIZE: A1 CAGE CODE: 00779 DRAWING NO: 2274543

RESTRICTED TO

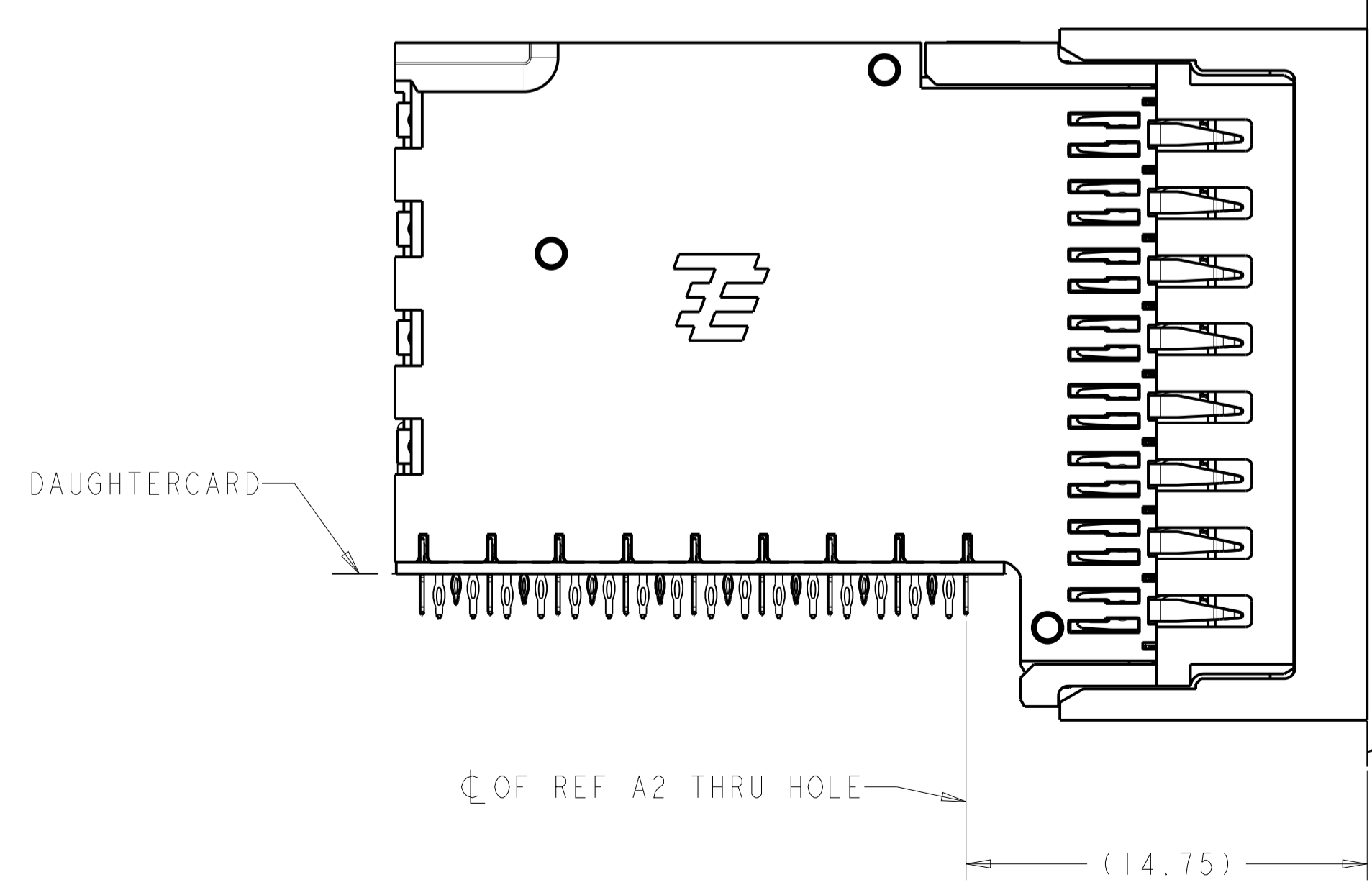
LOC	DIST	REV	DATE	BY	APPV
GP	00				

FOOTPRINT SHOWN IS FOR SINGLE MODULE APPLICATION. WHEN CONNECTORS ARE STACKED SIDE BY SIDE, THESE SI VIAS ARE USED AS GROUNDS BY THE NEXT CONNECTOR



○ = SIGNAL
 ⊗ = GROUND
 ⊗ = SIGNAL INTEGRITY VIA TO GROUND

PCB LAYOUT
 COMPONENT SIDE SHOWN
 SCALE 10:1



MATED ASSEMBLY VIEW
 SCALE 5:1

THIS DRAWING IS A CONTROLLED DOCUMENT.		OWN R. IREA 07MAY2014	TE Connectivity
DIMENSIONS: mm		CHK N. SWANGER 07MAY2014	
TOLERANCES UNLESS OTHERWISE SPECIFIED:		APVD N. SWANGER 07MAY2014	NAME RECEPTACLE ASSY, EMBEDDED CAPS, 8 PAIR 8 COLUMN, RIGHT ANGLE, 4.5mm PITCH, STRADA WHISPER 360
0 PLC ±0.2 1 PLC ±0.2 2 PLC ±0.08 3 PLC ±0.13 4 PLC ± ANGLES ±		PRODUCT SPEC 108-2413	SIZE 114-13301
MATERIAL FINISH SEE TABLE		APPLICATION SPEC 114-13301	RESTRICTED TO A100779C=2274543
		WEIGHT Customer Drawing	SCALE 5:1 SHEET 2 OF 2 REV A