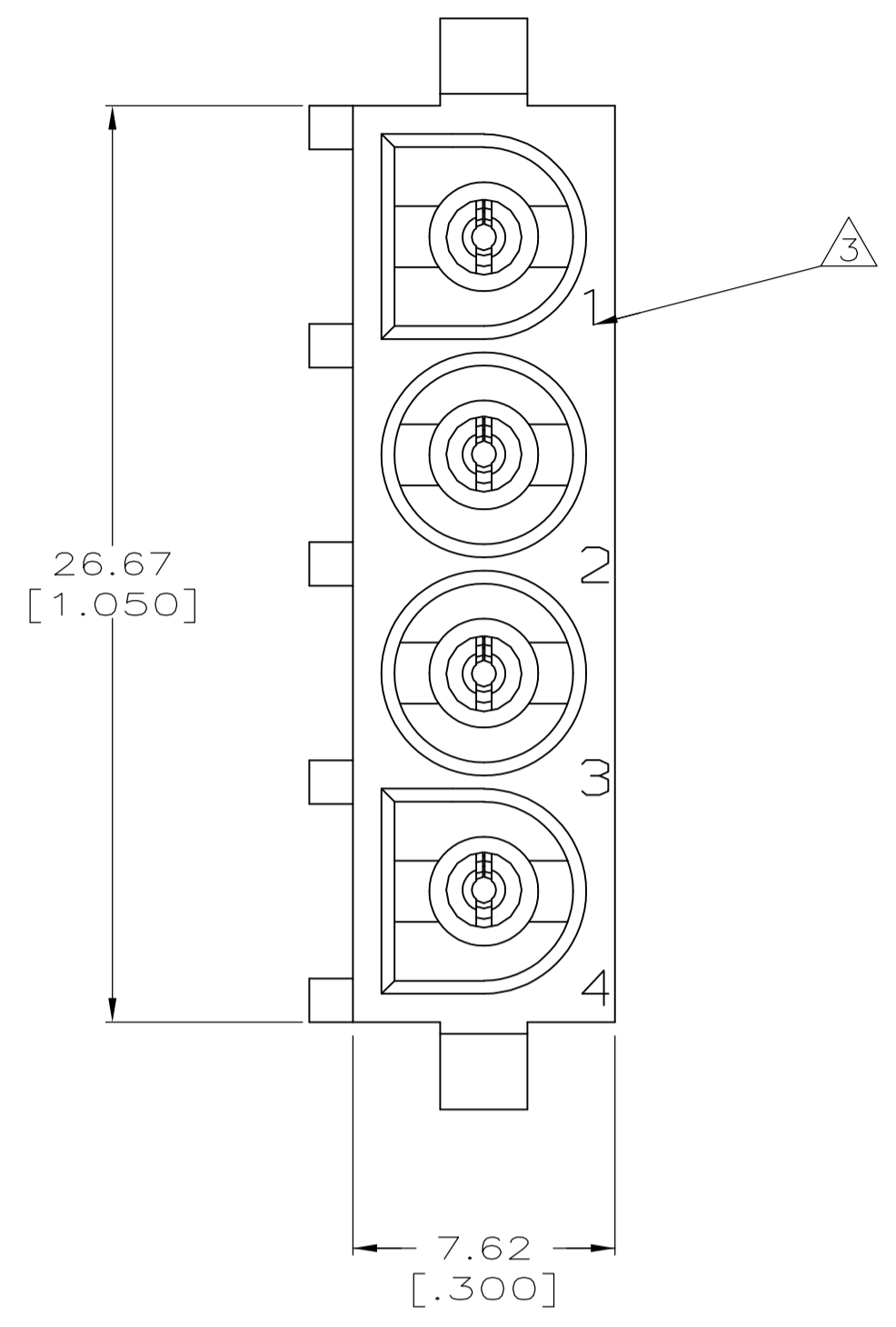
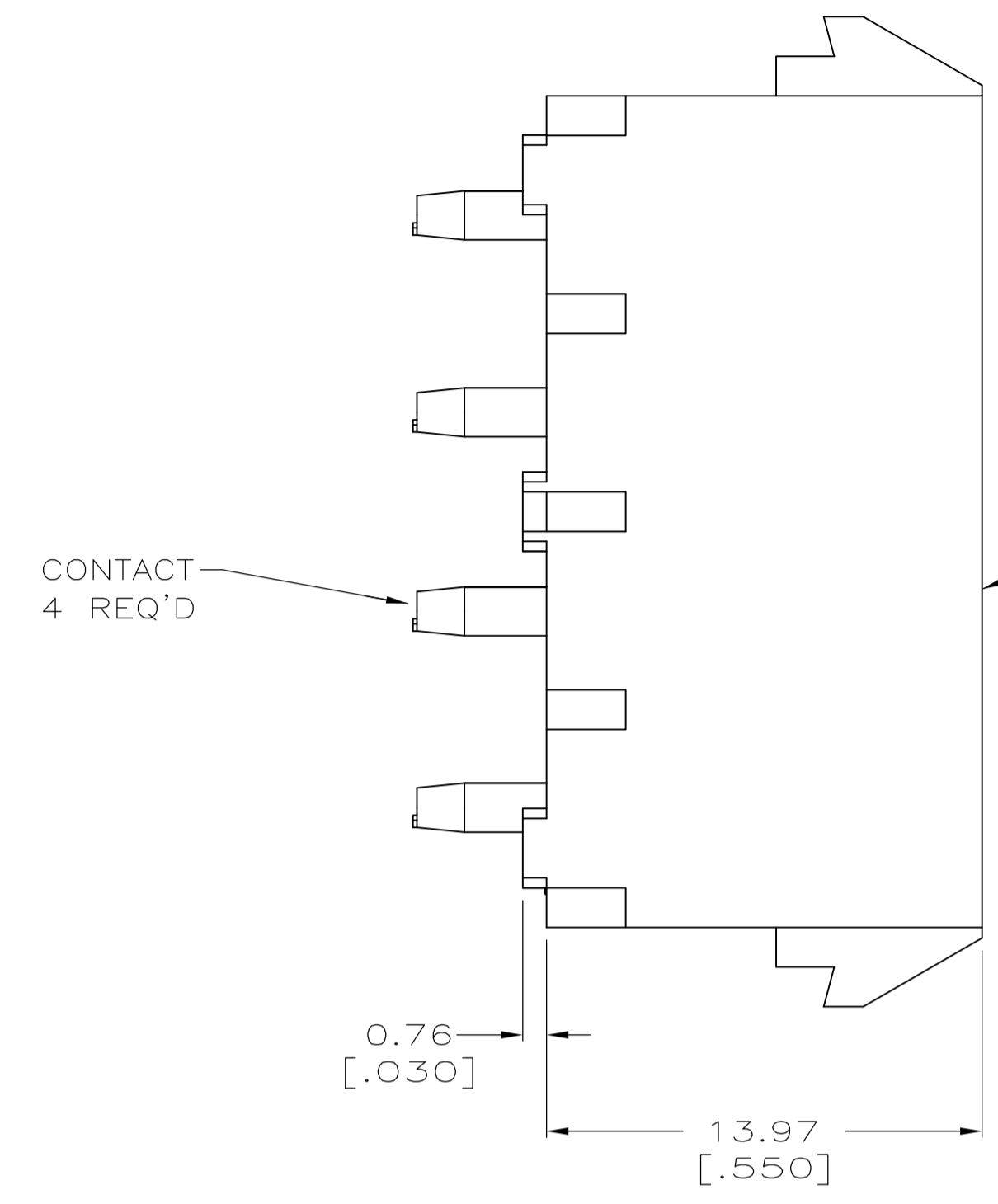
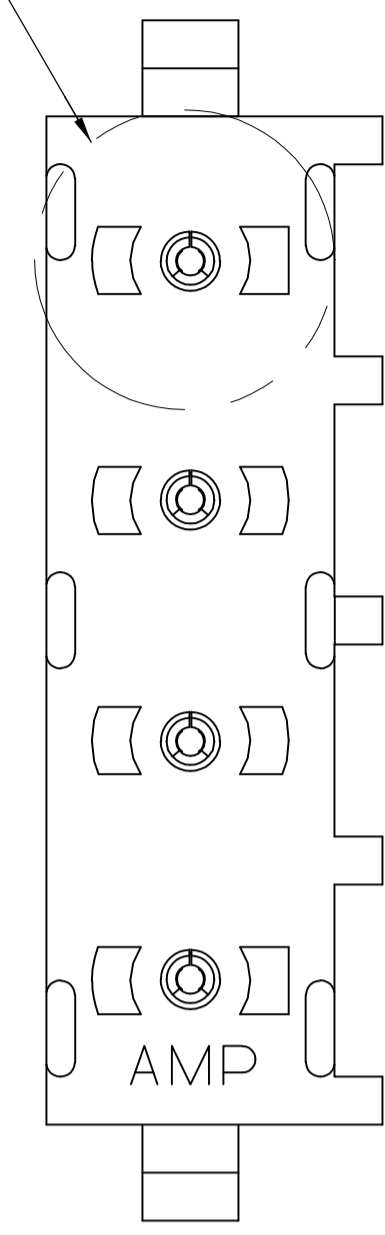
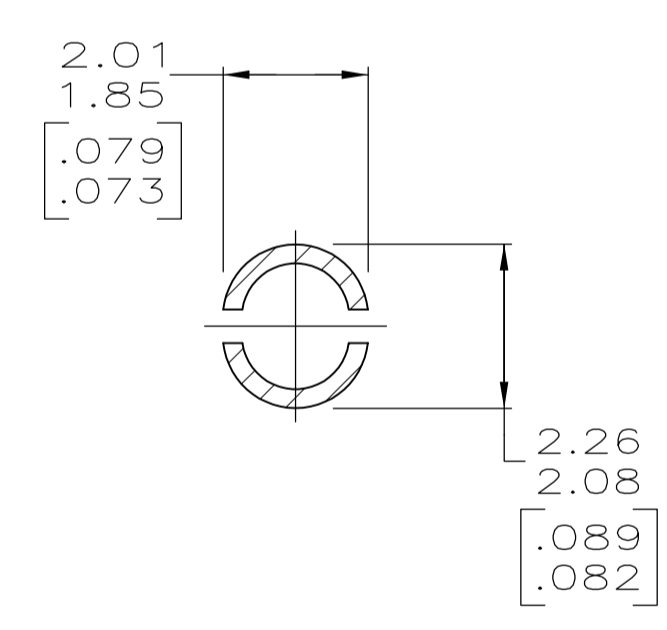
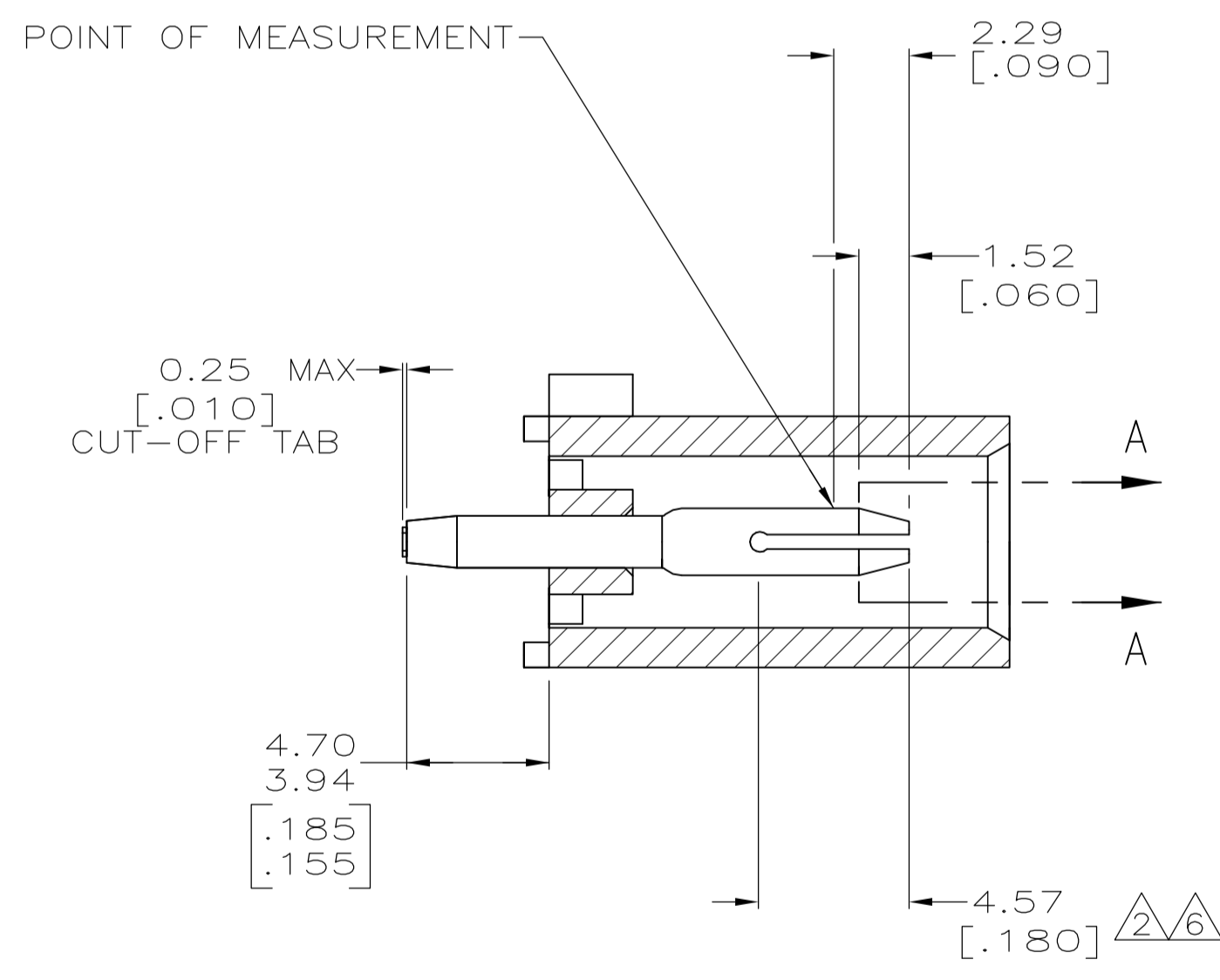


LOC		DIST		REVISIONS			
P	LTR	DESCRIPTION	DATE	DNW	APVD		
Y2		REVISED PER ECR-12-011660	24JAN13	KH	TM		

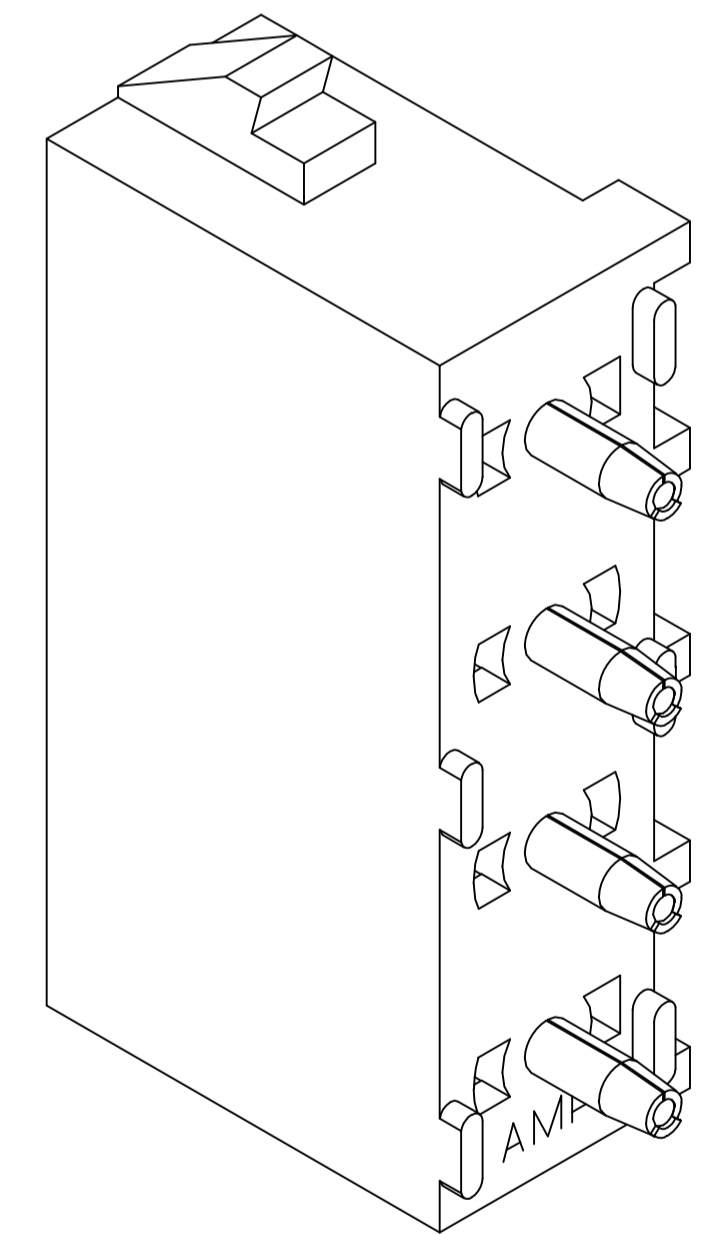
SEE DETAIL A



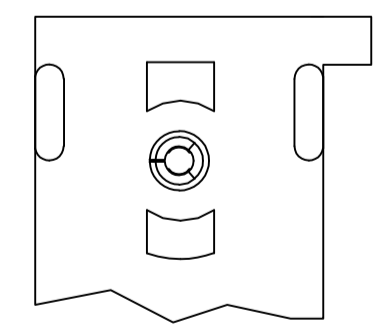
- 1 PARTS COMPLY TO AMP SOLDERABILITY SPECIFICATION 109-11-3.
- 2 CONTACT IS PLATED OVERALL WITH 0.00127 [.000050] NICKEL, THEN 0.00076 [.000030] GOLD OVER CONTACT LENGTH INDICATED AND MATTE TIN LEAD ON SOLDER TAIL END.
- 3 CIRCUIT IDENTIFICATION CHARACTERS ARE ADJACENT TO THE INDICATED CAVITIES, BUT LOCATION AND ORIENTATION MAY DIFFER FROM PRINT.
- 4 DIMENSIONS IN BRACKETS ARE IN INCHES.
- 5 DRAIN HOLES LOCATED AS SHOWN. OPTIONAL CONSTRUCTION - ALL DRAIN HOLES LOCATED 90° AS SHOWN IN DETAIL A.
- 6 CONTACT IS PLATED OVERALL WITH 0.00127 [.000050] NICKEL, THEN 0.00076 [.000030] GOLD OVER CONTACT LENGTH INDICATED AND MATTE TIN ON SOLDER TAIL END.
- 7 SUPERSEDED BY 350430-4



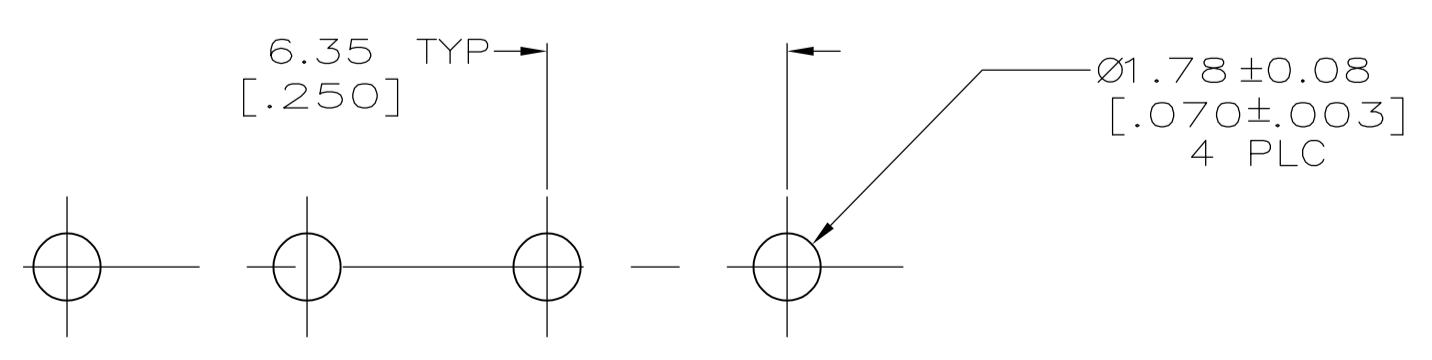
SECTION A-A
SCALE 10:1



3-DIMENSIONAL MODEL
NTS



DETAIL A
OPTIONAL CONSTRUCTION
5



RECOMMENDED MOUNTING HOLE PATTERN
FOR 1.57 [.062] THICK P.C. BOARD

MATERIAL	FINISH	HOUSING MATERIAL	PART NUMBER
PHOSPHOR BRONZE, GOLD	2/6	NYLON, UL94V-2,NATURAL	350430-4
PHOSPHOR BRONZE, GOLD	2/6	NYLON, UL94V-2,NATURAL	350430-2
PHOSPHOR BRONZE, PRE-TIN	2/6	NYLON, UL94V-2,NATURAL	350430-1

THIS DRAWING IS A CONTROLLED DOCUMENT.		DIN 8-25-98	TE Connectivity	
DIMENSIONS: mm [INCHES]		8-25-98	PIN HEADER ASSEMBLY, 4 CIRCUIT UNIVERSAL MATE-N-LOK™	
TOLERANCES UNLESS OTHERWISE SPECIFIED:		8-25-98	SIZE CAGE CODE DRAWING NO. RESTRICTED TO	
0 PLC ± -	1 PLC ± -	NAME	A1 00779 C=350430	
2 PLC ± 0.13 [.005]	3 PLC ± -	APPLICATION SPEC	CUSTOMER DRAWING	
4 PLC ± -	ANGLES ± ± 0°30'	WEIGHT	SCALE 5:1 SHEET 1 OF 1 REV Y2	