

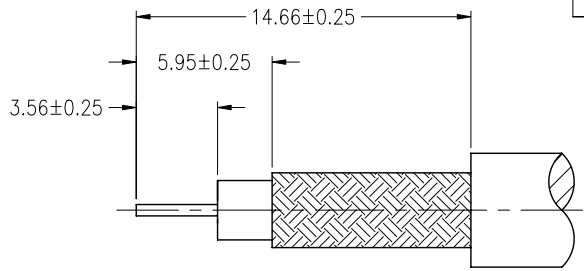
NOTES:

- MATERIALS AND FINISHES(PLATING THICKNESS IN MICRO-INCHES):
 BODY - BRASS, NICKEL PLATING
 CONTACT - BRASS, GOLD PLATING
 INSULATOR - PTFE, NATURAL
- ELECTRICAL:
 A. IMPEDANCE: 75 OHM
 B. FREQUENCY RANGE: DC 0-4 GHz
 C. DIELECTRIC WITHSTANDING VOLTAGE: 1500 VRMS, MIN.
- MECHANICAL:
 A. DURABILITY: 500 CYCLES MIN.
 B. TEMPERATURE RANGE: -65°C to +165°C
- SOLDER CONTACT TO CABLE.
 WHEN CRIMPING CONTACT PIN TO CABLE, CRIMP WITH AMPHENOL TOOL 227-944 (M22520/5-01) AND DIE SET 227-980-1, CAVITY 'B' (OR CTL-6, .052 DIAMOND; OR CTL-8, .052 DIAMOND)
- WHEN CRIMPING FERRULE TO CABLE, CRIMP WITH AMPHENOL TOOL 227-944 (M22520/5-01) AND DIE SET 227-980-1, CAVITY 'A' (OR CTL-6, .255 HEX; OR CTL-8, .255 HEX)
- USE WITH CABLE: BELDEN 1505A, 1426A, 9659, 9259, 9240, 8212, 9274, 9275, 9100 AND CLARK CV7559

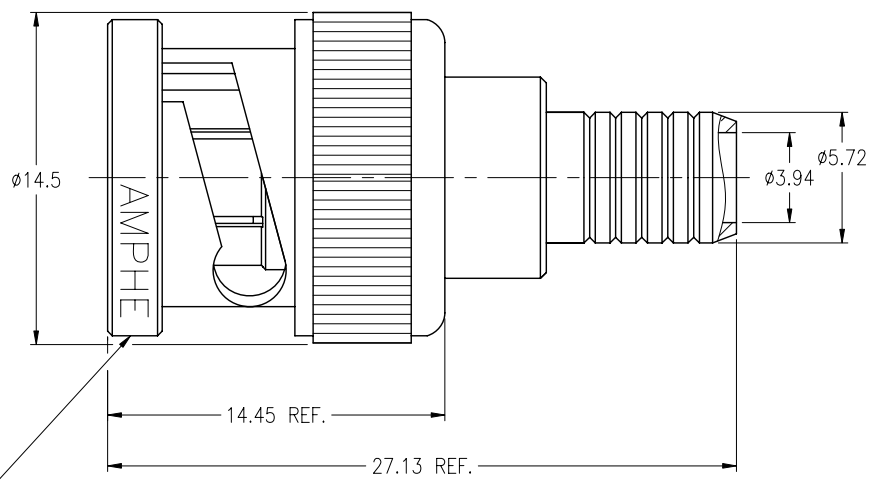
THIRD ANGLE PROJ.

REVISIONS

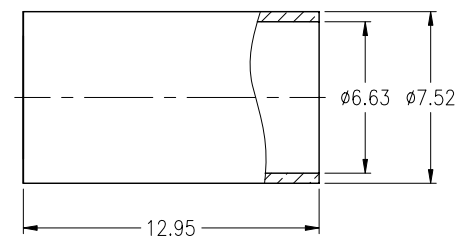
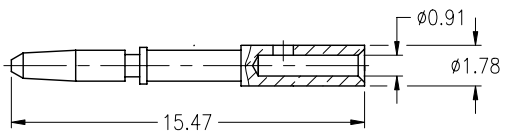
REV	DESCRIPTION	DATE	ECO	APPR
B	ROLLING WAS STAKE\RD-DA05091401J	14-Sep-05	--	SH
B1	ADDED A SLOT	17-Jan-06	--	SH
C	SEE SHEET 1	27-Feb-08	--	AW
D	SEE SHEET 1	17-Mar-10	47967	SH
E	NOTE 4 WAS CHANGED\RD-10121301F	27-Dec-10	48342	SH



RECOMMENDED CABLE STRIPPING DIM'S



STAMP "AMPHENOL 31-70008-3000"



CUSTOMER OUTLINE DRAWING
 ALL OTHER SHEETS ARE FOR INTERNAL USE ONLY

UNLESS OTHERWISE SPECIFIED, DIMENSIONS ARE IN METRIC AND TOLERANCES ARE: <0.5mm ±0.05mm 0.5 - 6mm ±0.1mm 6 - 30mm ±0.2mm 30 - 120mm ±0.3mm ANGLES ±1°	MATERIAL	DRAWN F.WANG ENGINEER DATE 27-Dec-10	TITLE BNC PLUG (75 OHM) FOR RG59 TYPE CABLE (.032 CENTER CONDUCTOR)	Amphenol RF Danbury CT USA, Tainan Taiwan, Shenzhen China www.amphenolrf.com		
	NOTICE - These drawings, specifications, or other data (1) are, and remain the property of Amphenol Corp. (2) must be returned upon request; and (3) are confidential and not to be disclosed to any person other than those to whom they are given by Amphenol Corp. The furnishing of these drawings, specifications, or other data by Amphenol Corp., or to any other person to anyone for any purpose is not to be regarded by implication or otherwise in any manner licensing, granting rights or permitting such holder or any other person to manufacture, use or sell any product, process or design, patented or otherwise, that may in any way be related to or disclosed by said drawings, specifications, or other data.	REFERENCE APPROVED S.HSIEH DATE 27-Dec-10	DATE 27-Dec-10	SCALE: 3/1 SHEET 2 OF 2	DRAWING NO.	31-70008-3000
FINISH	F:\DWG\CNPD\31\70008\3000-ESZ	DWG SIZE B	CODE ID 74868	REV E	ITEM NO.	31-70008-3000
				PART NO.	31-70008-3000	