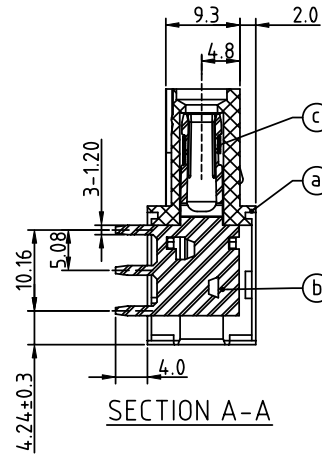
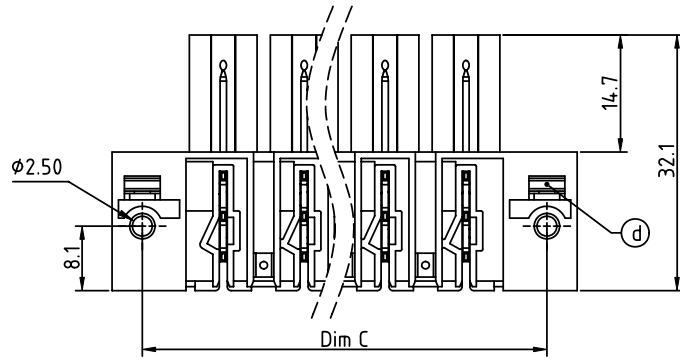
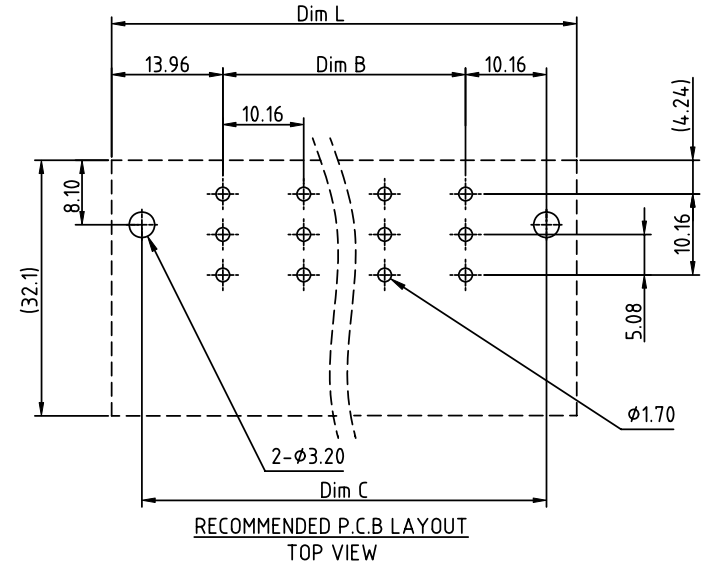
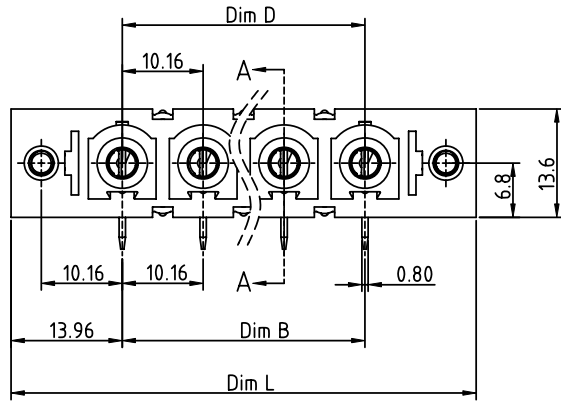


PRODUCT NUMBER	PITCH
KLxx62x100J0G	10.16 mm



Material:

- Item@Terminal(housing): Thermoplastic(UL94-V0)
- ItemⓅPin: Copper Tin plated
- ItemⒸWire guard:Stainless Steel
- ItemⒹWith flange nut: Steel zinc plated M3

Electrical: cULus / IEC

- Voltage rating: 300V/1000V
- Current rating: 55A / 76A
- Withstanding Voltage: 1.6 KV / 8 KV
- Operating temperature: -40°C to +115°C
- Soldering temperature: 260°C±5°C/5 Sec
- Safety Approval: cULus

DIMENSION

Dim L	(N-1)×10.16+27.92
Dim B	(N-1)×10.16
Dim C	(N-1)×10.16+20.32
Dim D	(N-1)×10.16

N=Number of poles

Poles	Tolerance
2p-6p	±0.25
7p-12p	±0.35

PART NO.: KL xx 62 x 1 00J0 G

Solid block	0	Black (RAL9005)	RoHS compliant (lead<4%) In copper Alloy
No. of poles	2	Red (RAL3001/D)	
02 2poles	3	Orange(RAL2011/P)	
03 3poles	4	Yellow(RAL1018/A)	
...	...	Green(RAL6018/T)	
12 12poles	6	Blue (RAL5015/A)	
	8	Grey(RAL7035/D)	
	9	White(RAL1102)	
	C	Green(RAL6018/U)	

mat'l. code	surface ASME Y14.5	tolerance ASME Y14.5	projection	product family
ltr	ecn	no	dr	date
tolerances unless otherwise specified				TERMINAL BLOCK
angles	φ	X.±0.5	MM	title
X°±1'	±	X.X±0.3	scale	TERMINAL BLOCK PLUGGABLE PCB PLUG, WITH FLANGE RIGHT ANGLE, UNDER PCB MOUNTING
dr	EVIN ZHONG	050314	FCI	dwg no
engr	EVIN ZHONG	050314		sheet 1 of 1
chr	HANKE FENG	050314		size
appd	SHI JUN	050314		KLxx62x100J0G
sheet index	revision	A		type
	sheet	1		CUSTOMER Drawing