

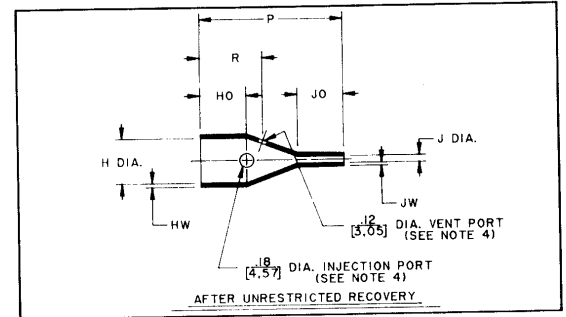
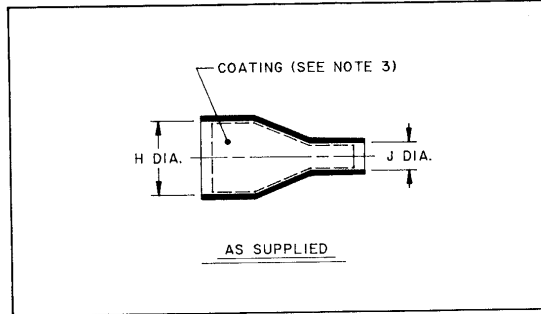
Thermofit® Molded Parts Specification Control Drawing

Part Number: 203A312

Description: Boot, Coax Strain Relief

Notes:

- All dimensions are in $\frac{\text{Inches}}{\text{[Millimeters]}}$; $\frac{\text{lbs}}{\text{[gms]}}$
- Dimensions appearing in table are as follows:
a - as supplied
b - after unrestricted recovery
- Coating is optional. As supplied dimensions appearing in table are for uncoated parts. When coating is added, entry diameters will be reduced by .06 max.
- Molding ports are optional. When specified as a -00 modification they will be located as shown.
- Weight shown in table of dimensions is based on polyolefin part.



Part Number	H		J		P ± 10% b	R ± 10% b	HO ± 10% b	JO ± 10% b	HW ± 20% b	JW ± 20% b	Weight ± 10% b
	Min. a	Max. b	Min. a	Max. b							
	203A312	.80 [20,3]	.61 [15,5]	.30 [7,6]							

Raychem

Raychem Corporation
300 Constitution Drive
Menlo Park, California 94025
415) 361 6055

If this document is printed it becomes uncontrolled.
Check for the latest revision.

Revision: **B**
Date: **8-20-84**

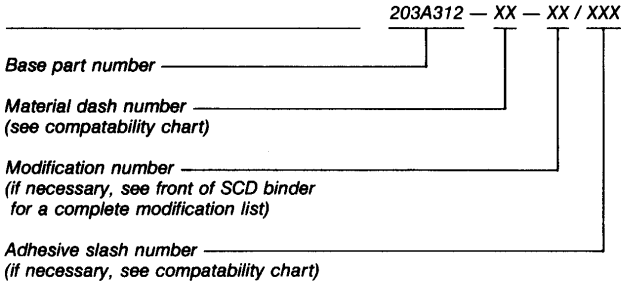
Part Number: 203A312
Description: Boot, Coax Strain Relief

Thermofit[®] Molded Parts Specification Control Drawing

Part Number: 203A312
Description: Boot, Coax Strain Relief

Compatibility Chart					
Material Dash No.	Material Description	RT Spec	Coating Slash No.	Coating S No.	Coating Description
- 3	Polyolefin, Semi-Rigid	RT-301	/42	S-1017	Adhesive

Ordering Information:



This drawing is subject to change without notice; consult your nearest field representative for current revision.

Raychem

Raychem Corporation
300 Constitution Drive
Menlo Park, California 94025
415) 361 6055

If this document is printed it becomes uncontrolled.
Check for the latest revision.

Revision: **B**
Date: **8-20-84**

Part Number: 203A312
Description: Boot, Coax Strain Relief