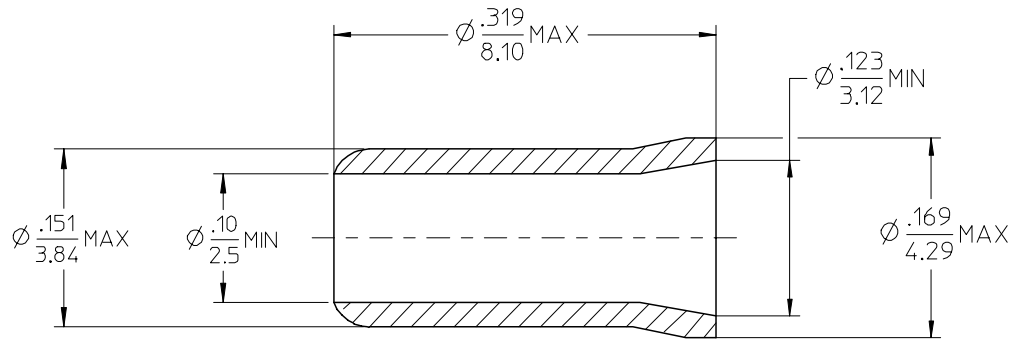


MATERIAL NUMBER	ENGINEERING NUMBER	DESCRIPTION
191600022	CE-2212	LOOSE PIECE
191600146	CE-2212 MC50	STANDARD BAG OF 100 PCS



# SALES DRAWING

NOTE(S):

1. MATERIAL: COPPER (.020/0.51).
2. PLATING: ELECTROPLATE TIN.
3. ALL DIMENSIONS IN INCHES/(MM).  
WIRE SIZES: 22-12 AWG  
0.34-4.0 MM

REL. TO W.MANAGER EC NO: ETC2005-0078 DRAWN: DMYRICK 2004/10/28 CHKD: RDEROSS 2004/10/28 APPR: RDEROSS 2004/10/29	QUALITY SYMBOLS ▽=0 ▽=0	GENERAL TOLERANCES (UNLESS SPECIFIED)		DIMENSION STYLE	SCALE	DESIGN UNITS	THIRD ANGLE PROJECTION	
		mm	INCH	IN/MM	10:1	INCH		
		4 PLACES ± ---	± ---	DRAWN BY DATE	TITLE INSERT CLOSED-END CONNECTOR 22-12 AWG			
		3 PLACES ± ---	± ---	DMYRICK 2004/10/28				
2 PLACES ± ---	± ---	CHECKED BY DATE	MATERIAL NO. DOCUMENT NO. SHEET NO. SD-19160-009 1 OF 1					
1 PLACE ± ---	± ---	RDEROSS 2004/10/28						
ANGULAR ± ---°		APPROVED BY DATE	MOLEX INCORPORATED					
DRAFT WHERE APPLICABLE MUST REMAIN WITHIN DIMENSIONS		RDEROSS 2004/10/28						
REV A	DESCRIPTION	SIZE B	THIS DRAWING CONTAINS INFORMATION THAT IS PROPRIETARY TO MOLEX INCORPORATED AND SHOULD NOT BE USED WITHOUT WRITTEN PERMISSION					