

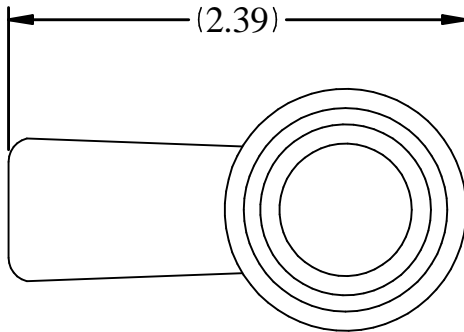
PART No. 2QPL

for more information visit

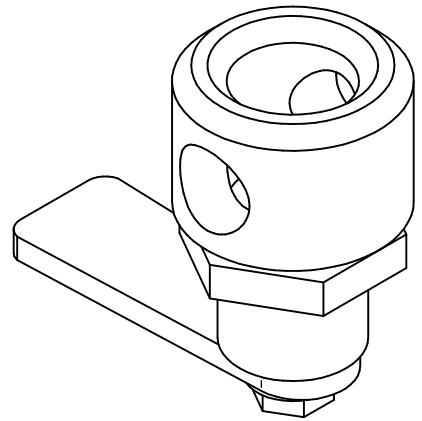
[www.hammondmfg.com](http://www.hammondmfg.com)

Data subject to change without notice

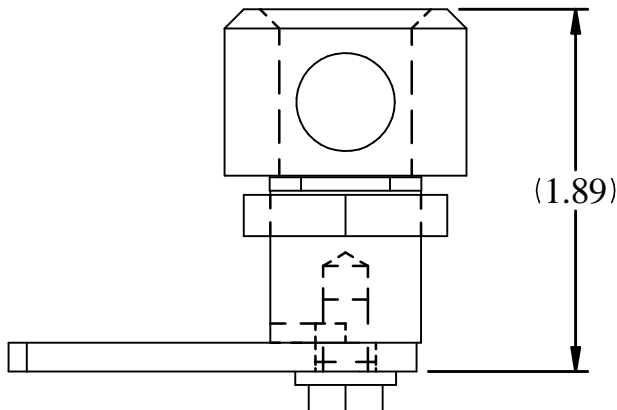
Isometric drawing Not to Scale



TOP VIEW



ISOMETRIC VIEW



SIDE VIEW