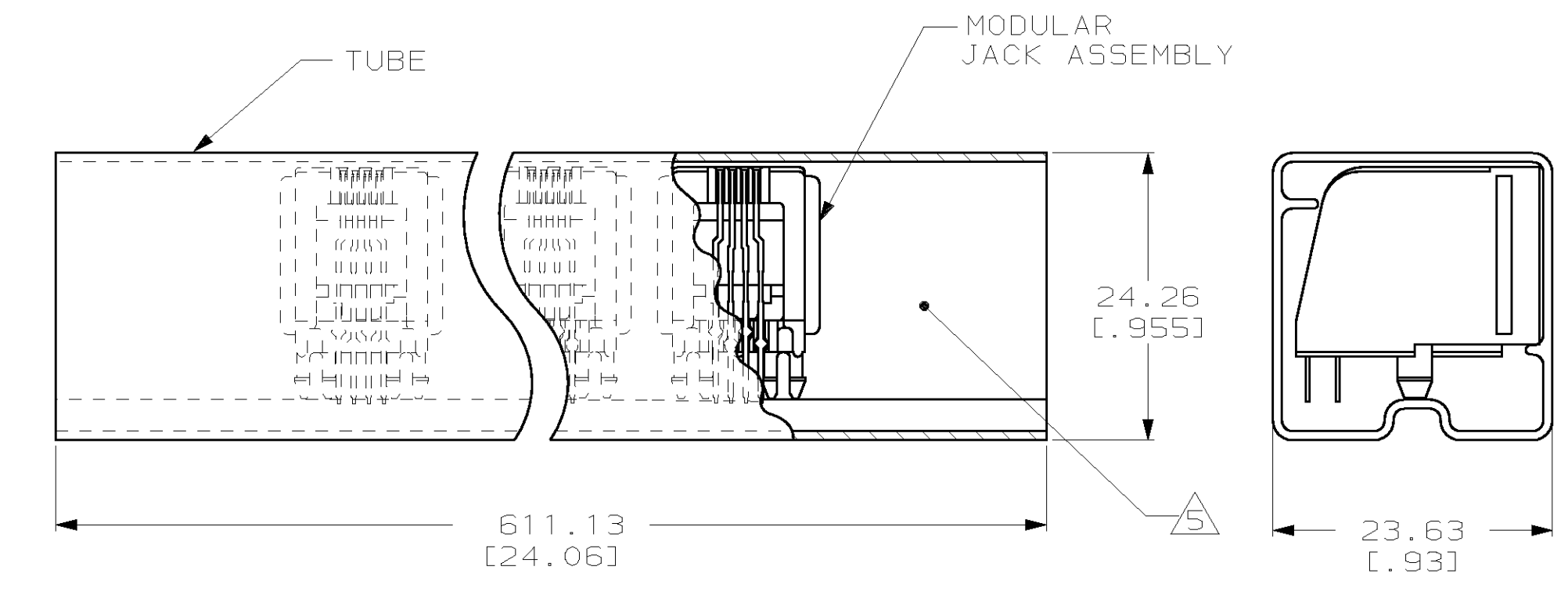
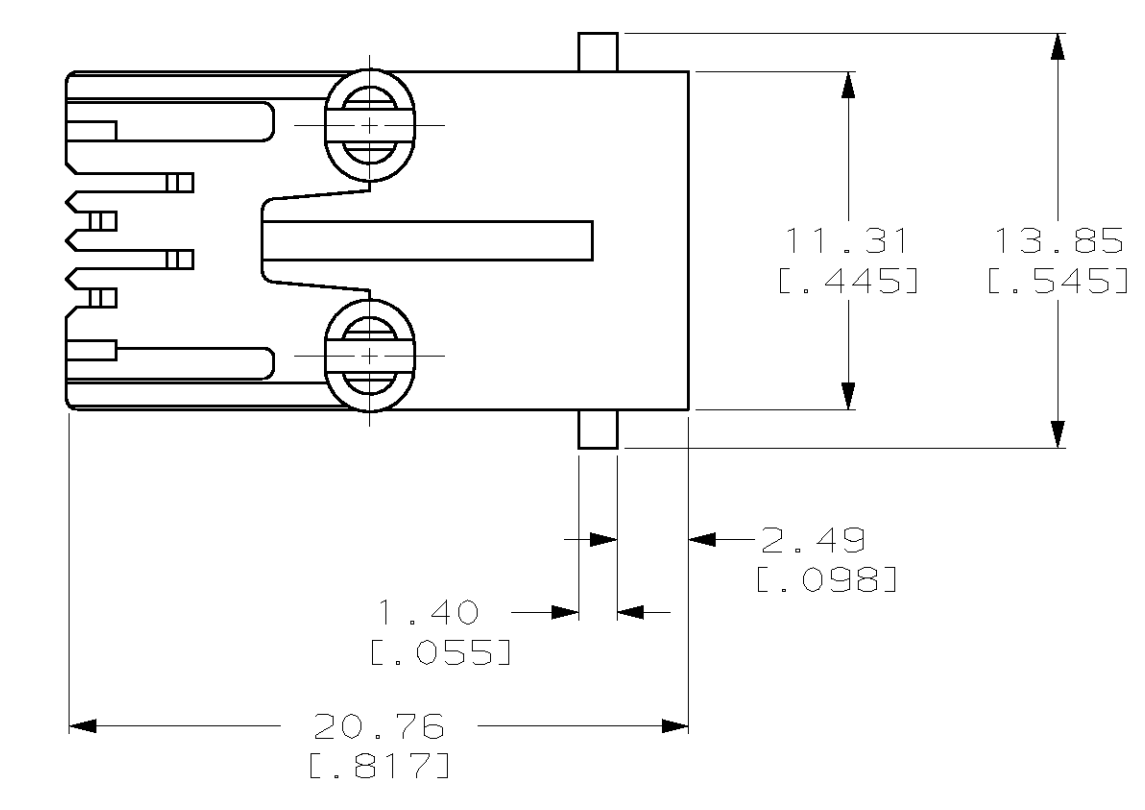
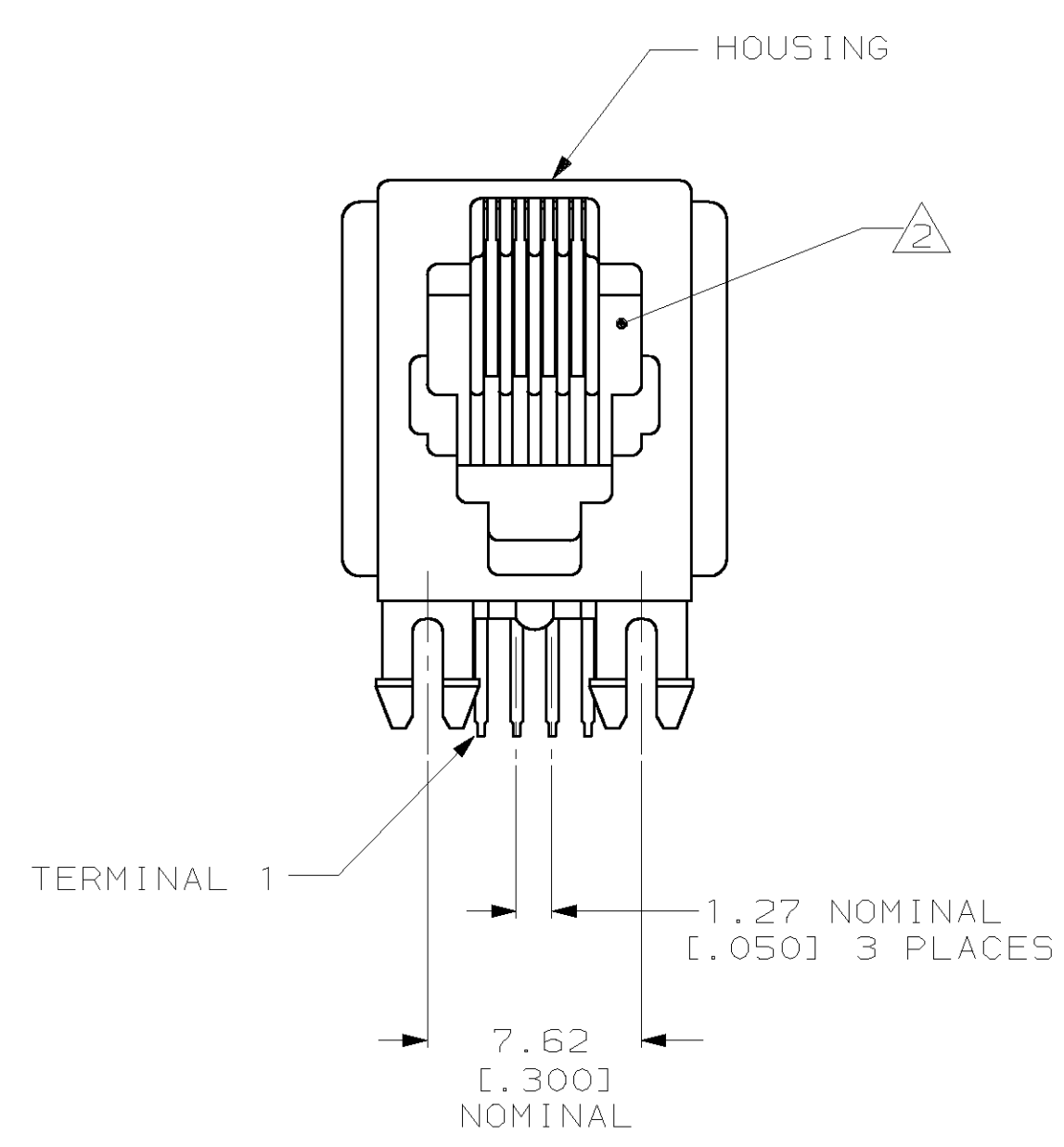
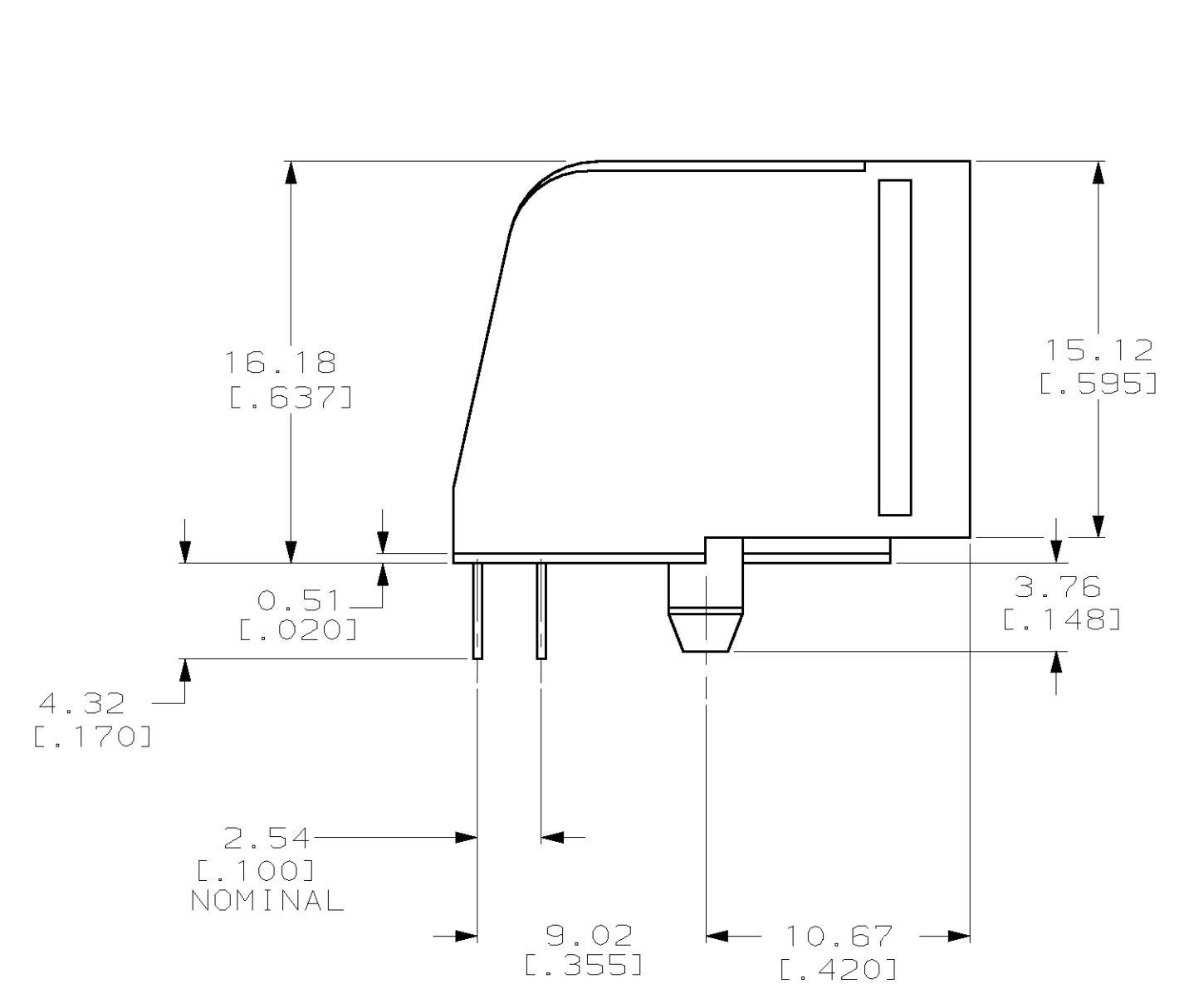
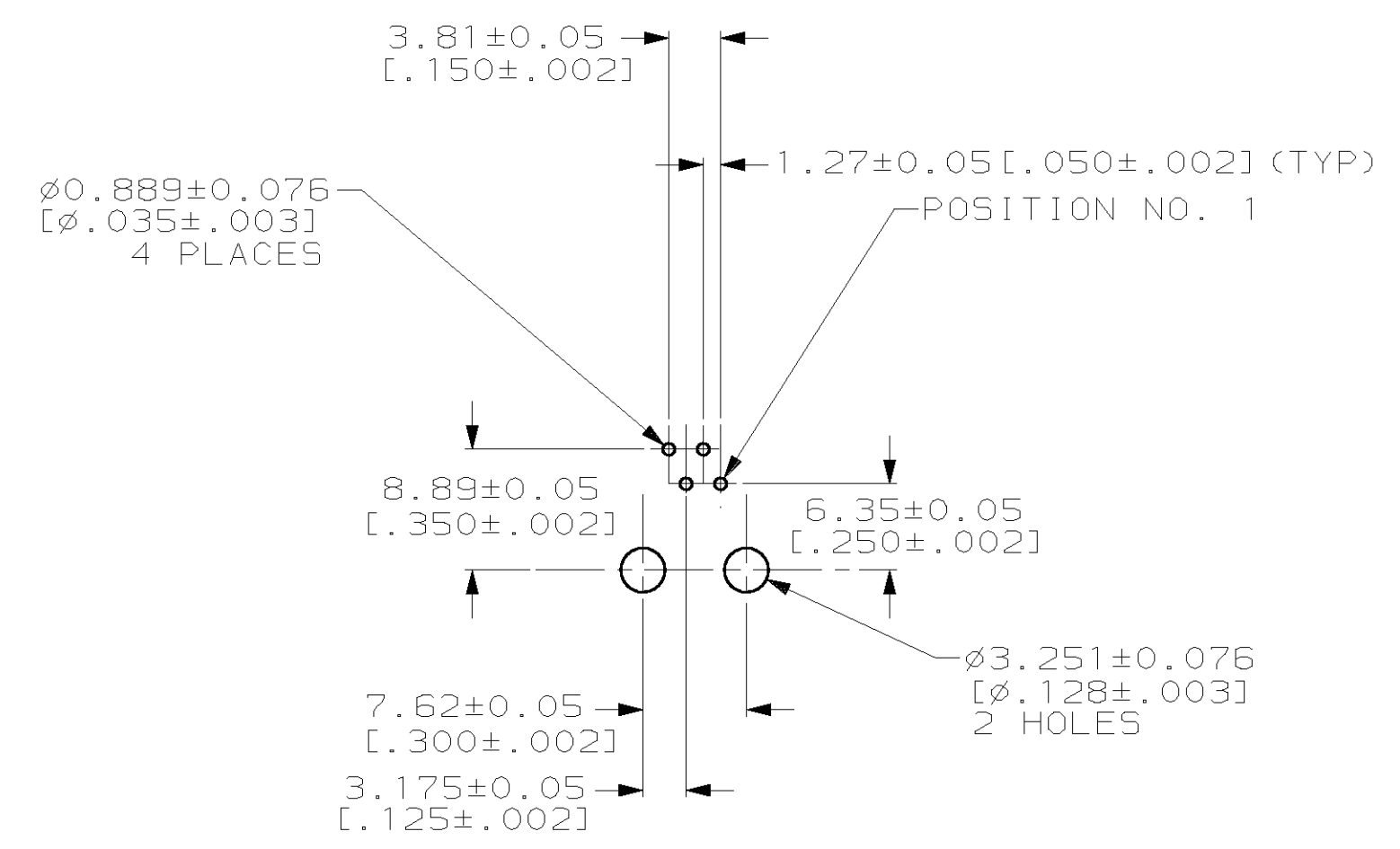


LOC	DIST	REV	DESCRIPTION	DATE	DWN	APVD
AA	22	S	SUPERSEDED: -3 & -4; EC OUF0-0006-01	20SEP01	DL	LLV

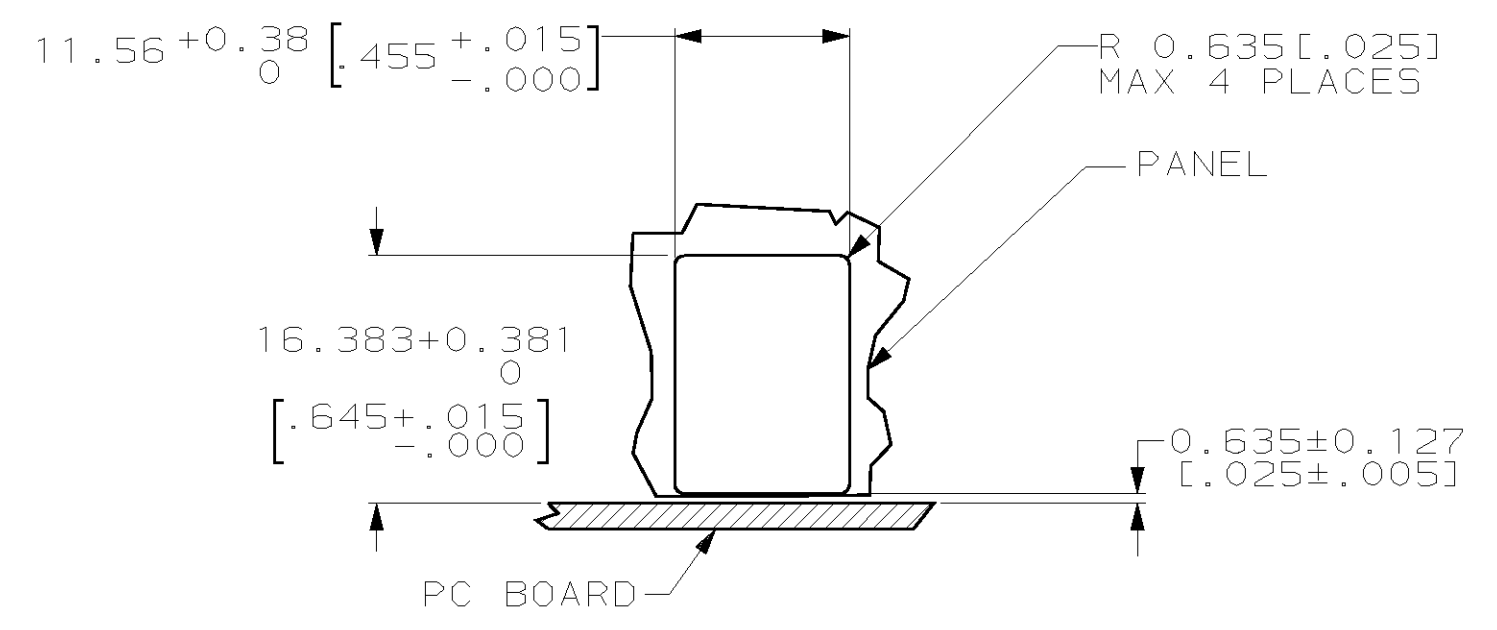
- 1 MATERIAL: HOUSING - POLYESTER, SEE TABLE FOR COLOR.
 TERMINAL - 0.35[.0138] THICK PHOS-BRONZE PLATED WITH 1.27µm [.000050] THICK HARD GOLD IN LOCALIZED GOLD PLATE AREA AND 2.03µm [.000080] THICK TIN LEAD IN SOLDER AREA OVER 1.27µm [.000050] THICK NICKEL UNDERPLATE.
- 2 CAVITY CONFORMS TO FCC RULES AND REGULATIONS PART 68 AND REA BULLETIN 345-81 PE 76 SPECIFICATION FOR MODULAR TELEPHONE HARDWARE.
- 3 DIMENSION ARE MAXIMUM UNLESS OTHERWISE SPECIFIED.
- 4 BULK PACKAGED IN A TRAY.
- 5 PACKAGED 42 ASSEMBLIES PER TUBE WITH BOTH ENDS CLOSED, SEE DETAIL "A".
- 6 VIEW SHOWN IS CIRCUIT SIDE (NON-COMPONENT) SIDE OF BOARD.



DETAIL A
SCALE 2:1



SUGGESTED PRINTED
CIRCUIT BOARD LAYOUT
SCALE 2:1



SUGGESTED PANEL CUTOUT
SCALE 2:1

PACKAGE	COLOR	CONTACTS	PART NUMBER
5	BLACK	4	520249-4
4	DEC GRAY	4	520249-3
4	BLACK	4	520249-2

DIMENSIONS mm [INCHES]		TOLERANCES UNLESS OTHERWISE SPECIFIED.		DWN M. MAGE 3-27-84	
0 PLC	±	3	±	CHG T. CANTY 9-25-84	AMP AMP Incorporated Harrisburg, PA 17105-3608
1 PLC	±	4	±	APVD L. WOLFFL 10-4-84	
2 PLC	±	5	±	NAME PRINTED CIRCUIT BOARD MODULAR	
3 PLC	±	6	±	PRODUCT SPEC 108-2024	
4 PLC	±	7	±	APPLICATION SPEC 114-2048	SIZE A1
MATERIAL		FINISH		WEIGHT	CAGE CODE 00779
CUSTOMER DRAWING				SCALE 4:1	DRAWING NO. C-520249