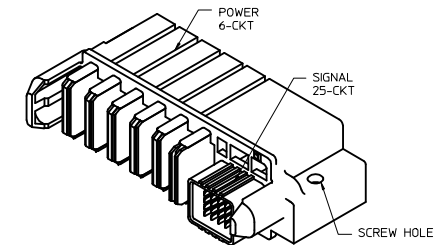
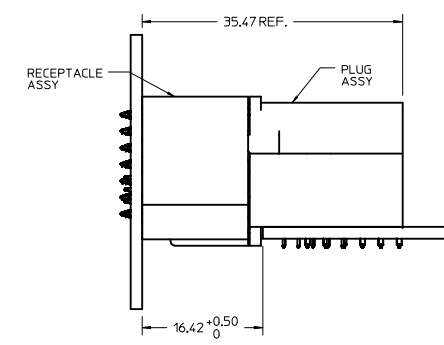
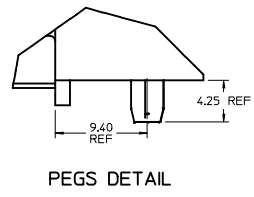
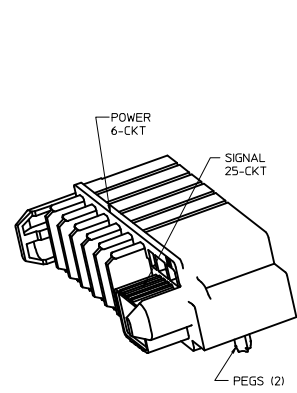
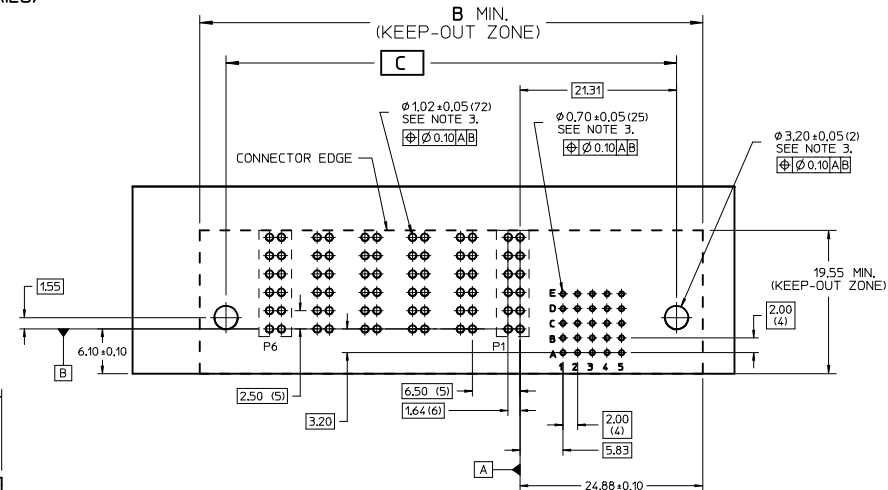
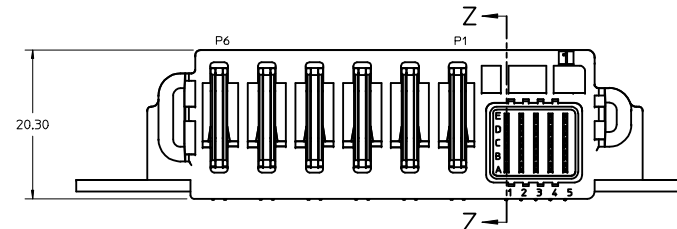


PART NUMBER	PEGS	TAILS	CKT SIZE	DIM 'A'	DIM 'B'	DIM 'C' BASIC
171097-2250	NO	SOLDER TAILS	25 SIGNAL - 6 POWER	67.50	68.50	61.37
171097-0250	NO		25 SIGNAL - 4 POWER	54.50	55.5	48.37
171097-0251	NO		25 SIGNAL - 2 POWER	41.50	42.50	35.37
171097-3250	YES		25 SIGNAL - 6 POWER	67.50	68.50	61.37
171097-1250	YES		25 SIGNAL - 4 POWER	54.50	55.5	48.37
171097-1251	YES		25 SIGNAL - 2 POWER	41.50	42.50	35.37

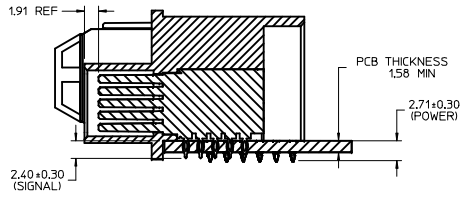
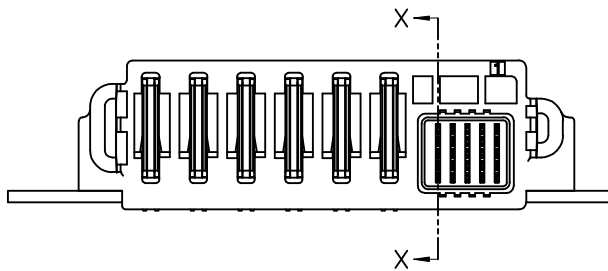


RECOMMENDED PCB LAYOUT AND KEEP-OUT ZONE (SOLDER TAILS)

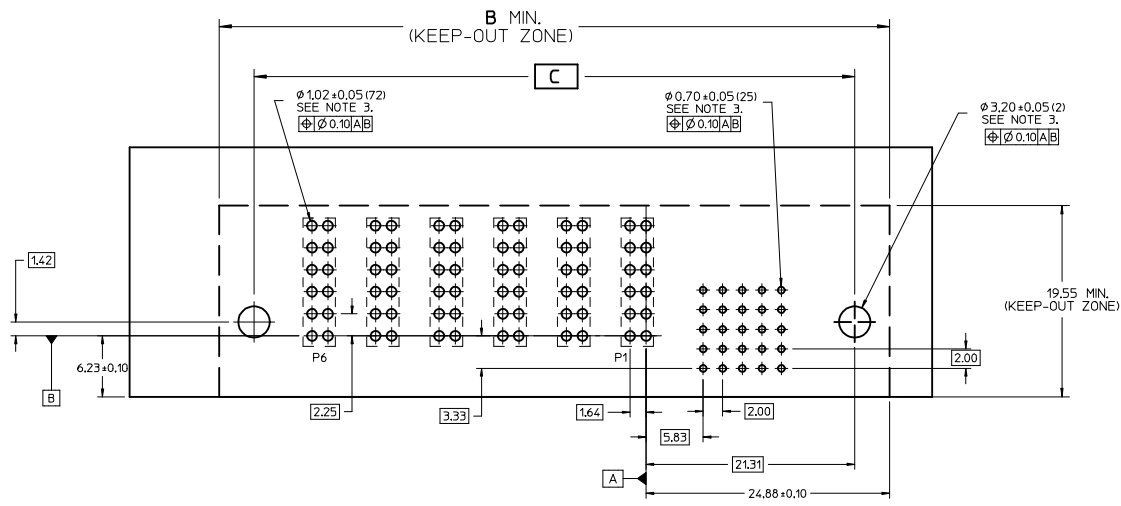
- NOTES:
- MATERIAL:
    - HOUSINGS: LCP UL94 V-0, COLOR: BLACK,
    - TERMINALS: HIGH CONDUCTIVITY COPPER ALLOY
    - PLATING: 1.27 MICROMETER NICKEL OVERALL WITH 2.54 MICROMETER SELECTIVE TIN ON TAILS AND 0.762 MICROMETER SELECTIVE GOLD ON CONTACT AREA.
  - PACKAGING ASSEMBLIES TO BE TRAY PACKED PER PK 171097-0100.
  - PC BOARD REQUIRES SOLDER THRU HOLES. REFER TO PS-171097-100 FOR DETAILS.
  - PRODUCT SPEC.: PS-171097-100.
  - APPLICATION SPEC.: AS-171097-100.
  - SEE PRODUCT SPEC. FOR ROHS REQUIREMENTS.
  - ASSEMBLY MATES WITH MOLEX RECEPTACLE ASSEMBLY, P/N 171098-0XXX.

<b>ADD 2P VERSIONS</b> EC NO. UCP2013-2089 DRAWN BY: SCHAEFER 2012/11/17 CHKD: APPR: APATEL 2012/12/04 REV:	QUALITY SYMBOLS	GENERAL TOLERANCES (UNLESS SPECIFIED)	DIMENSION STYLE <b>MM ONLY</b>	SCALE <b>3:1</b>	DESIGN UNITS <b>METRIC</b>	THIRD ANGLE PROJECTION															
		<table border="1"> <tr> <th></th> <th>mm</th> <th>INCH</th> </tr> <tr> <td>4 PLACES</td> <td>±0.10</td> <td>±0.004</td> </tr> <tr> <td>3 PLACES</td> <td>±0.15</td> <td>±0.005</td> </tr> <tr> <td>2 PLACES</td> <td>±0.25</td> <td>±0.010</td> </tr> <tr> <td>1 PLACE</td> <td>±0.25</td> <td>±0.010</td> </tr> </table> ANGULAR ±1/2°		mm	INCH	4 PLACES	±0.10	±0.004	3 PLACES	±0.15	±0.005	2 PLACES	±0.25	±0.010	1 PLACE	±0.25	±0.010	DRAWN BY: MKARADI MAS 2011/06/06 CHECKED BY: DATE E. KINSLEY 2012/01/30 APPROVED BY: DATE APATEL 2012/03/15			
		mm	INCH																		
4 PLACES	±0.10	±0.004																			
3 PLACES	±0.15	±0.005																			
2 PLACES	±0.25	±0.010																			
1 PLACE	±0.25	±0.010																			
DRAFT WHERE APPLICABLE MUST REMAIN WITHIN DIMENSIONS	SEE CHART	MATERIAL NO. DOCUMENT NO.	<b>MOLEX INCORPORATED</b> SD-171097-0100		SHEET NO. 1 OF 2																

PART NUMBER	PEGS	TAILS	CKT SIZE	DIM 'A'	DIM 'B'	DIM 'C'
171097-6250	NO	COMPLIANT TAILS	25 SIGNAL - 6 POWER	67.50	68.50	61.37
171097-4250	NO		25 SIGNAL - 4 POWER	54.50	55.5	48.37
171097-8250	NO		25 SIGNAL - 2 POWER	41.50	42.50	35.37
171097-7250	YES		25 SIGNAL - 6 POWER	67.50	68.50	61.37
171097-5250	YES		25 SIGNAL - 4 POWER	54.50	55.5	48.37
171097-9250	YES		25 SIGNAL - 2 POWER	41.50	42.50	35.37



SECTION X-X  
(COMPLIANT PIN)



RECOMMENDED PCB LAYOUT AND KEEP-OUT ZONE  
(COMPLIANT TAILS)

COMPLIANT PIN PLUG ASSY  
(FOR ADDITIONAL DIMENSIONS SEE SEE SHT 1 OF 2)

SEE SHT 1 IEC NO. UCP2013-2089 DRAWN BY: SCHAEFER 2012/11/17 CHKD: APPR: APATEL REV:	QUALITY SYMBOLS	GENERAL TOLERANCES (UNLESS SPECIFIED)	DIMENSION STYLE	SCALE	DESIGN UNITS	THIRD ANGLE PROJECTION
	▽=0 ▽=0 ▽=0	mm INCH 4 PLACES ± --- ± --- 3 PLACES ± --- ± --- 2 PLACES ± 0.25 ± --- 1 PLACE ± 0.25 ± --- 0 PLACE ± ±	MM ONLY	3:1	METRIC	DRAWN BY: MKARADI MAS 2011/06/06 CHECKED BY: DATE E. KINSLEY 2012/01/30 APPROVED BY: DATE APATEL 2012/03/15
	ANGULAR ±1/2° DRAFT WHERE APPLICABLE MUST REMAIN WITHIN DIMENSIONS	MATERIAL NO. SEE CHART SIZE D	TITLE RA PLUG ASSY ENERGETIC molex DOCUMENT NO. SD-171097-0100 SHEET NO. 2 OF 2			