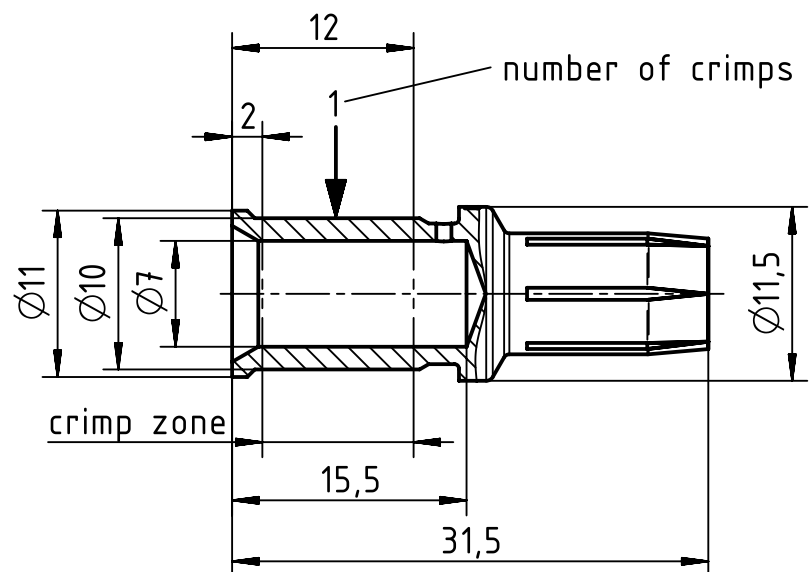


A

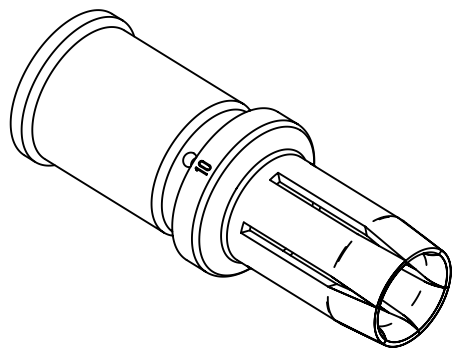
B

C

D



assembly notes see catalogue
 crimp zone acc. to DIN EN 46235; indicator 10
 for stranded fine wire acc. to VDE 0295 class 5/ IEC 60228 class 5
 wire gauge: 25mm²
 stripping length: 15,5mm



| | | | | | | | | | |
|--|--|---|--|---------------------------|----------------------------|--------------------|------------------------|--|---|
| | All rights reserved Department EL PD - DE | All Dimensions in mm Original Size DIN A4 | | Scale 2:1 | Free size tol. | | Ref. Sub. | | |
| | | HARTING Electric GmbH & Co. KG D-32339 Espelkamp | Created by RULLKOETTER | Inspected by SCHNIEDER | Standardisation RUETERA | Date 2014-12-10 | State Final Release | | Doc-Key / ECM-Nr. 10018394.7/UGD/004/C 500000082656 |
| | | | Title Han TC70 female contact 25mm ² | | | | Rev. C | | Page 1/1 |
| | | | Type TB | | Number 09 11 000 6233 | | | | |