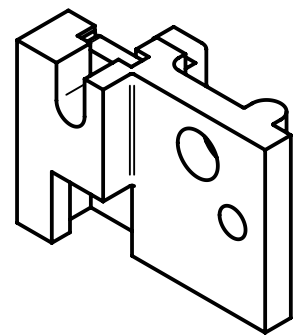
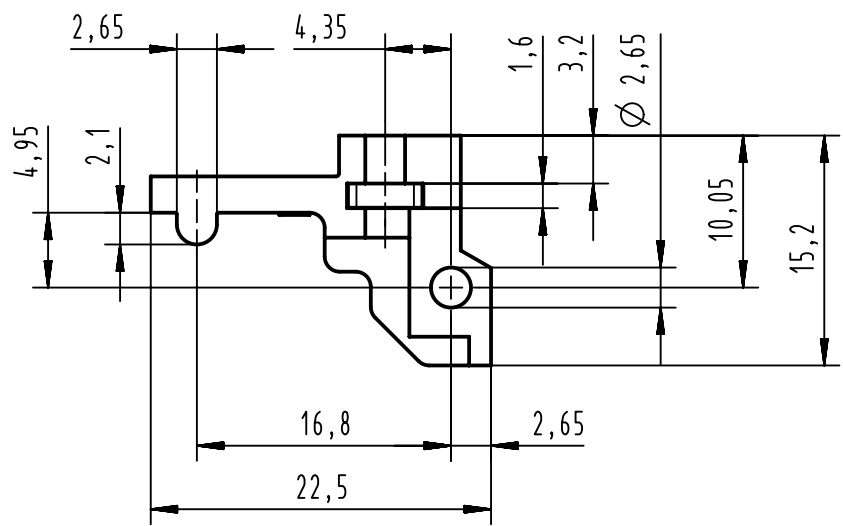
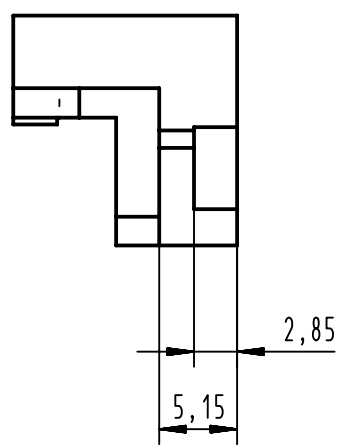
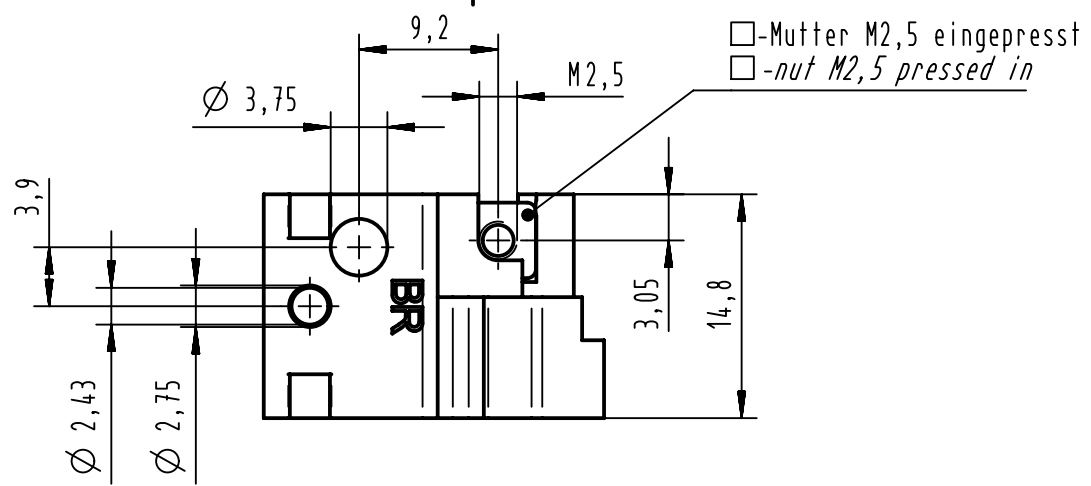



A

B

C

D



	All Dimensions in mm Original Size DIN A4		Scale 2:1	Free size tol.		Ref.	
	All rights reserved		Created by TADJE	Inspected by DAHMS	Standardisation HOFFMANN	Date 2012-07-04	State Final Release
Department EC PD - DE		Title fixing bracket BR 15mm + nut, metallised				Doc-Key / ECM-Nr. 100106600/UGD/008/A 500000053200	
HARTING Electronics GmbH & Co. KG D-32339 Espelkamp		Type TB	Number 09069019935			Rev. A	Page 1/1