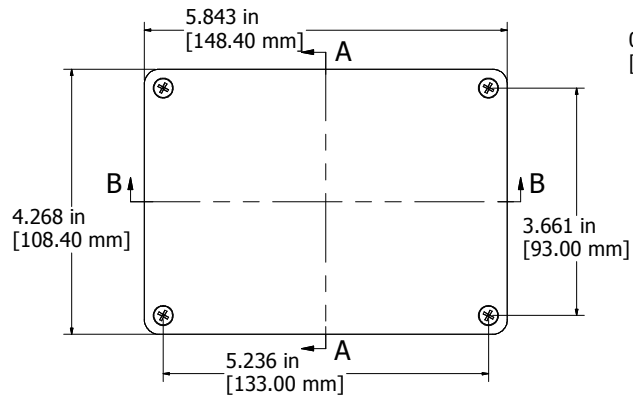
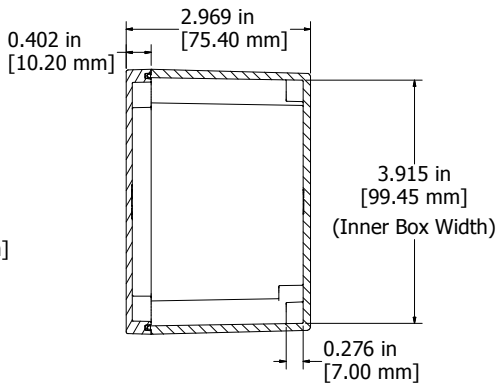


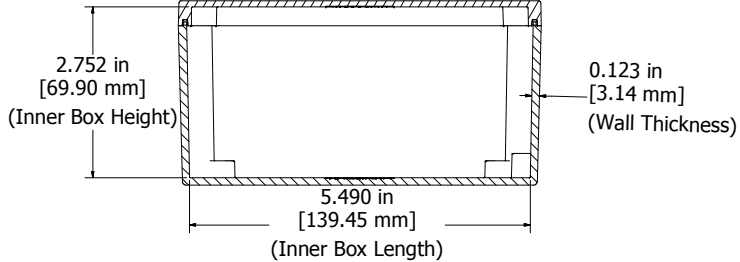
8 7 6 5 4 3 2 1



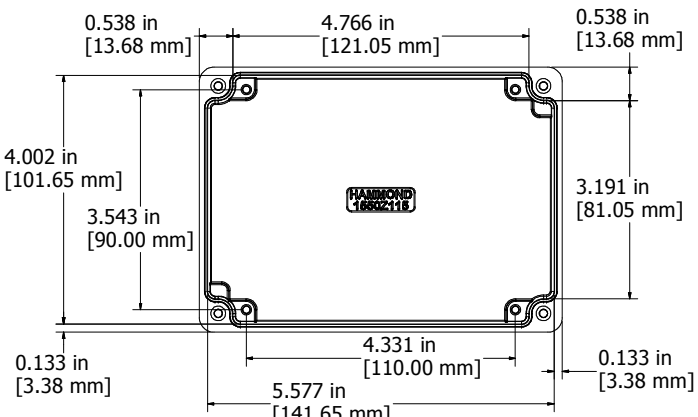
ASSEMBLY



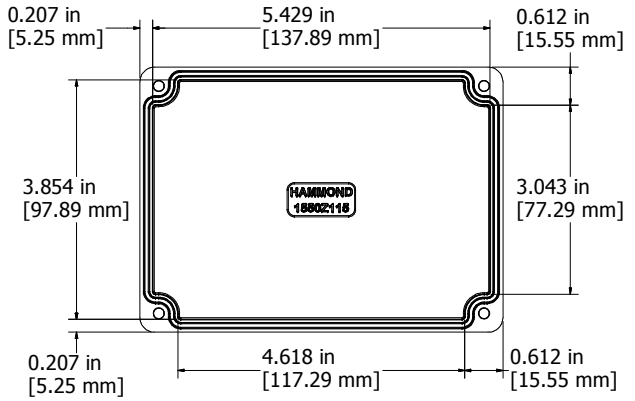
SECTION A-A
End View of Assembly



SECTION B-B
Side View of Assembly



Top View Looking Inside Box



View Looking Inside Box

Enclosures can be Factory Modified (Milling, Drilling, Printing etc.)
 Contact Factory mjm@hammondmfg.com for quotes
 Solid models of this enclosure available in STEP or IGES.

NOTES	
Purchased assembly includes enclosure, M4x20 lid screws	
Gasket - Pre-formed Silicone Rubber	
Cover screws should be torqued to 5-7.5 lbf.in (50-75 cN.m)	

1550Z115	
PART NUMBERS	
Unfinished	1550Z115
Black Textured Powder Paint - RAL 9011	1550Z115BK

**HAMMOND
MANUFACTURING™**

1550Z115

www.hammondmfg.com

8 7 6 5 4 3 2 1