

DO NOT SCALE FROM THIS PRINT

THIS DESIGN HAS NOT BEEN APPROVED BY ENGINEERING DO NOT DISTRIBUTE THIS PRINT

DESIGNED & DIMENSIONED IN MILLIMETERS [INCHES]

SMB7H-J-P-X-ST-EM1

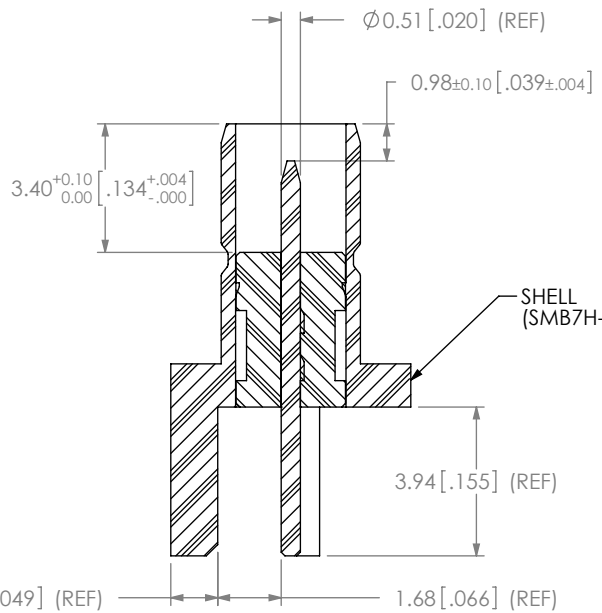
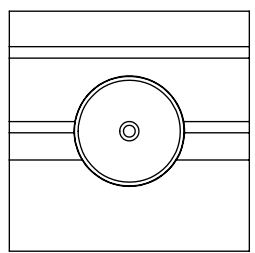
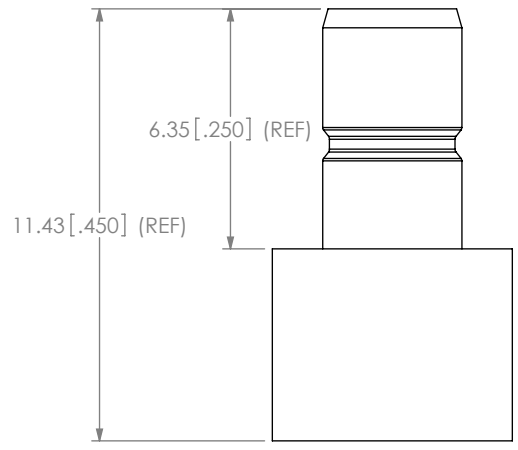
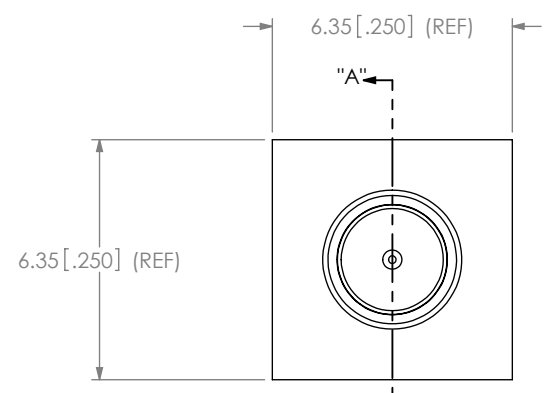
GENDER  
-J: JACK

TYPE  
-P: PCB

TERMINATION  
-EMT: EDGE MOUNT

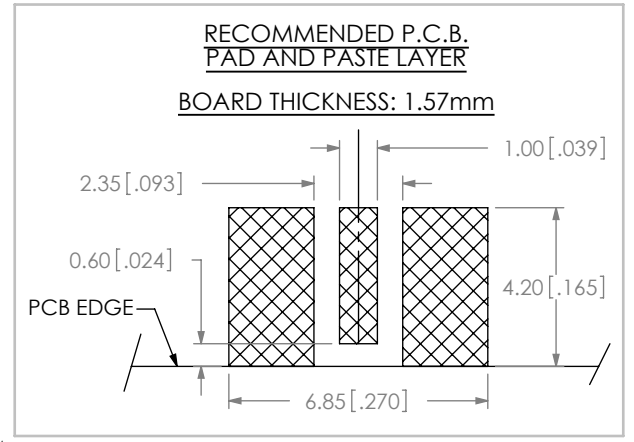
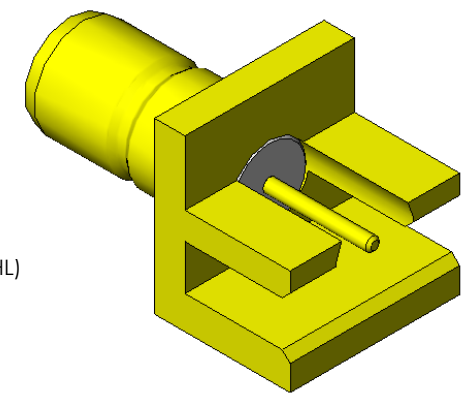
ORIENTATION  
-ST: STRAIGHT

PLATING  
-H: HEAVY GOLD  
(CENTER CONTACT)  
0.00076[.000030] GOLD OVER .00127[.000050] NICKEL  
(OUTER CONTACT)  
0.00025[.000006] GOLD OVER .00127[.000050] NICKEL



SHELL (SMB7H-J-P-X-ST-EM1-SHL)

SECTION "A"- "A"



NOTES:

1. REPRESENTS A CRITICAL DIMENSION.
2. PUSHOUT FORCE FOR INSULATOR: 35.58 N [8.0 LB] MIN. MATING DIRECTION ONLY.
3. PUSHOUT FORCE FOR CENTER CONTACT: 17.79 N [4.0 LB] MIN.
4. PARTS TO BE PACKAGED IN TRAYS; IF QUANTITY IS LESS THAN HALF TRAY, PARTS TO BE PACKAGED IN COHESIVE FOAM.
5. RoHS COMPLIANT.

F:\DWG\MISC\MKTG\SMB7H-J-P-X-ST-EM1-MKT.SLDDRW

UNLESS OTHERWISE SPECIFIED, DIMENSIONS ARE IN MILLIMETERS. TOLERANCES ARE:  
DECIMALS ANGLES  
.X: ±0.3 [.01] 2°  
.XX: ±0.13 [.005]  
.XXX: ±0.051 [.0020]

PROPRIETARY NOTE  
THIS DOCUMENT CONTAINS INFORMATION CONFIDENTIAL AND PROPRIETARY TO SAMTEC, INC. AND SHALL NOT BE REPRODUCED OR TRANSFERRED TO OTHER DOCUMENTS OR DISCLOSED TO OTHERS OR USED FOR ANY PURPOSE OTHER THAN THAT WHICH IT WAS OBTAINED WITHOUT THE EXPRESSED WRITTEN CONSENT OF SAMTEC, INC.

MATERIAL: DO NOT SCALE DRAWING SHEET SCALE: 5:1  
SEE TABLE 1

520 PARK EAST BLVD, NEW ALBANY, IN 47150  
PHONE: 812-944-6733 FAX: 812-948-5047  
e-Mail: info@SAMTEC.com code: 55322

DESCRIPTION:  
SMB7 STRAIGHT EDGE MOUNT JACK- 75 OHM  
DWG. NO.

SMB7H-J-P-X-ST-EM1