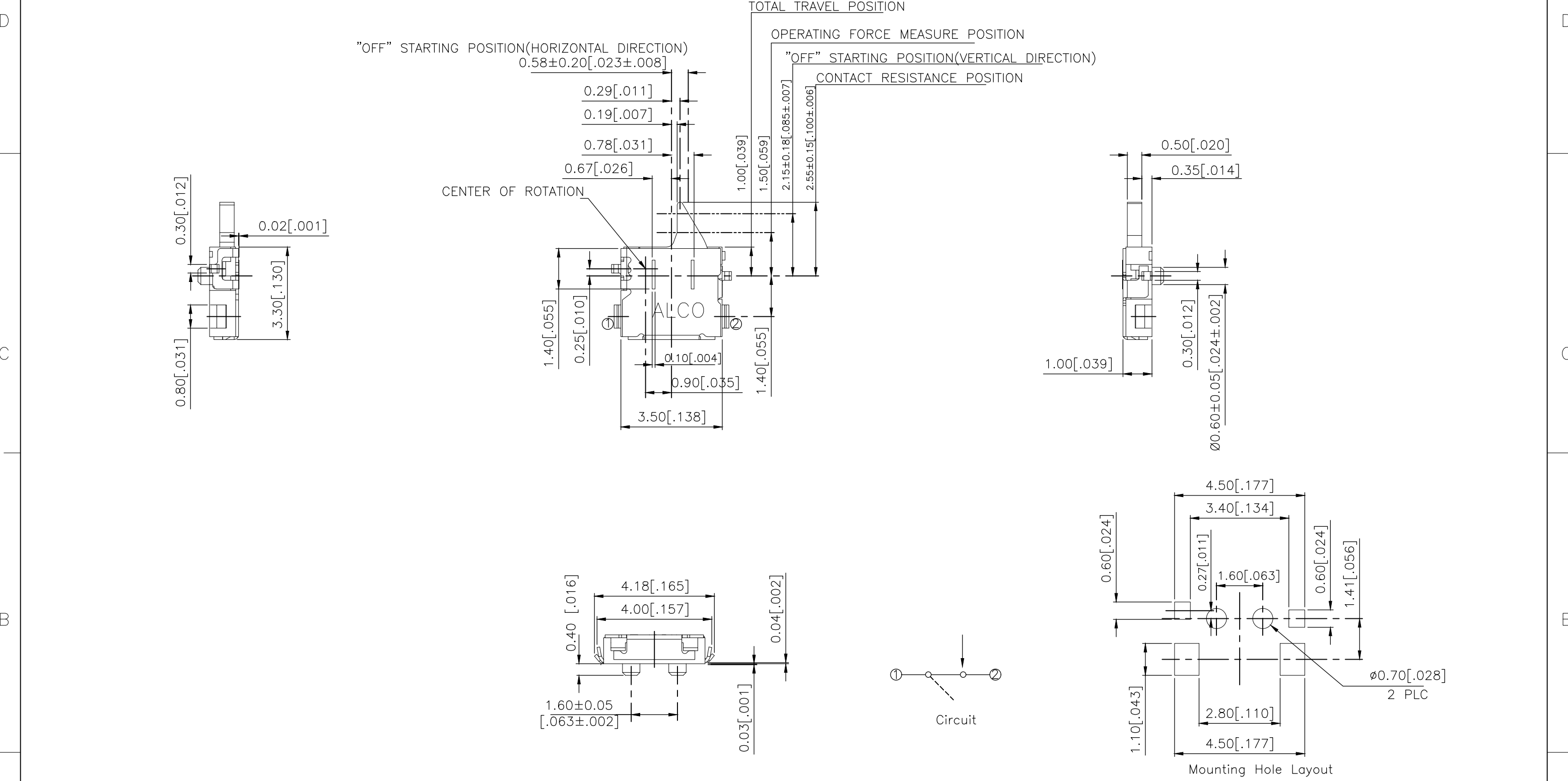


THIS DRAWING IS UNPUBLISHED. RELEASED FOR PUBLICATION
 © COPYRIGHT - TE Connectivity Ltd. ALL RIGHTS RESERVED.

REVISIONS				
P	LTR	DESCRIPTION	DATE	APVD
A	ECR-18-012767		14AUG2018	NG AS

2331384-1
AS SHOWN



THIS DRAWING IS A CONTROLLED DOCUMENT.		DWN	GANESH C M 07MAR2018		 TE Connectivity Ltd.
DIMENSIONS: mm [INCHES]		CHK	ALEXANDER SHARPE 07MAR2018		
TOLERANCES UNLESS OTHERWISE SPECIFIED:		APVD	ALEXANDER SHARPE 07MAR2018		
0 PLC ± - 1 PLC ± - 2 PLC ± 0.20 [.008] 3 PLC ± - 4 PLC ± - ANGLES ± -		PRODUCT SPEC	NAME		
MATERIAL		APPLICATION SPEC	SWITCH, DETECTOR, JJC SERIES, 3.5X3.3mm, HORIZONTAL, SMT, POSTS, CLOSE		RESTRICTED TO
FINISH		WEIGHT	SIZE	A3	CAGE CODE
			DRAWING NO	C=2331384	
CUSTOMER DRAWING			SCALE	NTS	SHEET
				1 OF 3	REV
				A	

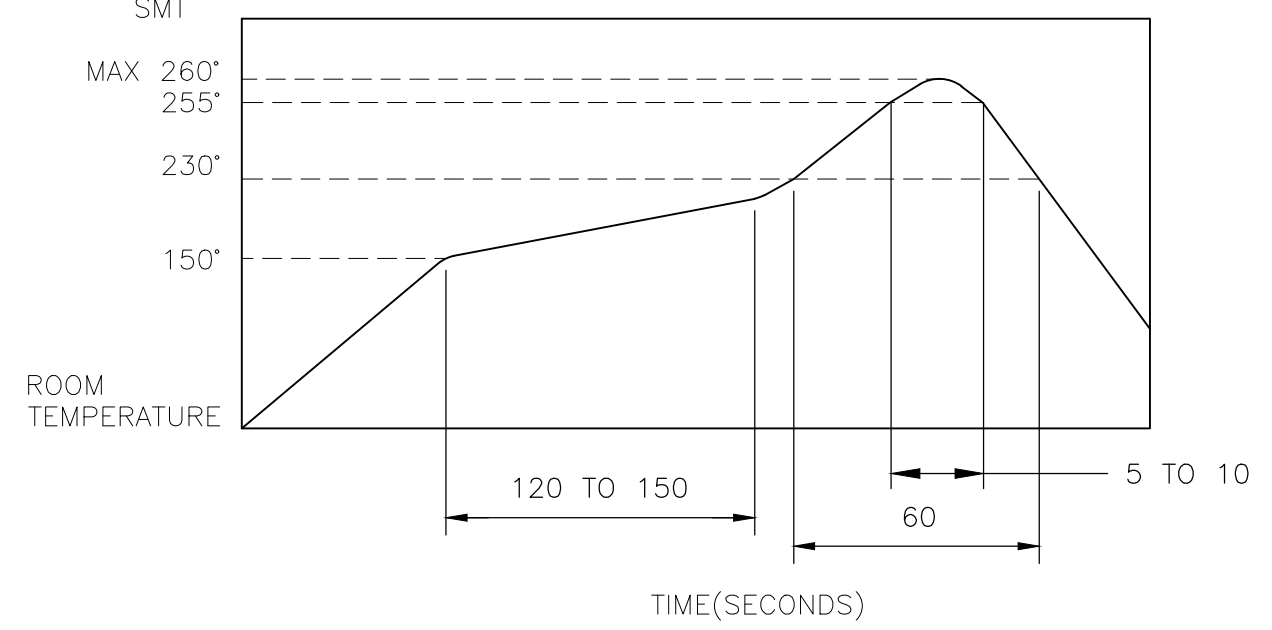
THIS DRAWING IS UNPUBLISHED. RELEASED FOR PUBLICATION
 © COPYRIGHT - ALL RIGHTS RESERVED.

REVISIONS					
P	LTR	DESCRIPTION	DATE	DWN	APVD
-	-	SEE SHEET 1	-	-	-

NOTES:

- MATERIALS:**
 ACTUATOR: THERMOPLASTIC, UL 94V-0, BLACK
 BODY: THERMOPLASTIC, UL 94V-0, BLACK
 COVER: NICKEL SILVER
 TERMINAL: COPPER ALLOY, SILVER PLATE
 SPRING: STAINLESS STEEL
- COMPLIANCE:**
 ALL MATERIALS AND FINISHES SHALL COMPLY WITH EU DIRECTIVE 2002/95/EC OF 27JAN2003(RoHS)
- SPECIFICATIONS:**
 RATING: 1mA 5V DC TO 50µA, 3V DC
 CONTACT RESISTANCE: 2Ω MAXIMUM(INITIAL)
 INSULATION RESISTANCE: 100MΩ MINIMUM AT 100V DC
 DIELECTRIC STRENGTH: 100V AC, 1 MINUTE
 OPERATING LIFE: 50,000 CYCLES WITH LOAD
 TOTAL TRAVEL: 1.55 [.061]
 ACTUATION FORCE: 35gf MAXIMUM
 OPERATING TEMPERATURE: -10°C TO 60° C
 STORAGE TEMPERATURE: -40°C TO 85° C

4. SOLDER CONDITIONS:



THE CONDITION MENTIONED ABOVE IS THE TEMPERATURE ON THE CU FOIL OF THE PCB SURFACE. THERE ARE CASES WHERE THE BOARD'S TEMPERATURE GREATLY DIFFERS FROM THE SWITCH'S SURFACE. DO NOT ALLOW SWITCH'S SURFACE TEMPERATURE TO EXCEED 260°C

MANUAL SOLDERING

SOLDERING TEMPERATURE	350°C±5°C.
CONTINUOUS SOLDERING TIME	5 SECONDS MAX.

PRECAUTIONS IN HANDLING

- CARE SHOULD BE EXERCISED SO THAT FLUX FROM THE UPPER PART OF THE PRINTED CIRCUIT BOARD DOES NOT ADHERE TO THE SWITCH.

JJCHLUJ100NCPMRTR	2331384-1
SMART PART NUMBER	PART NUMBER

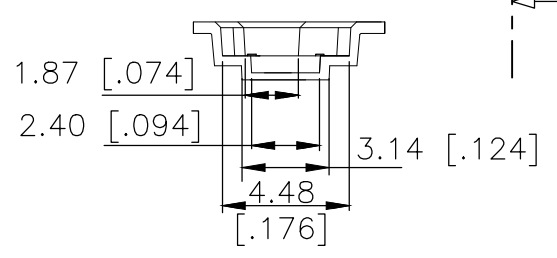
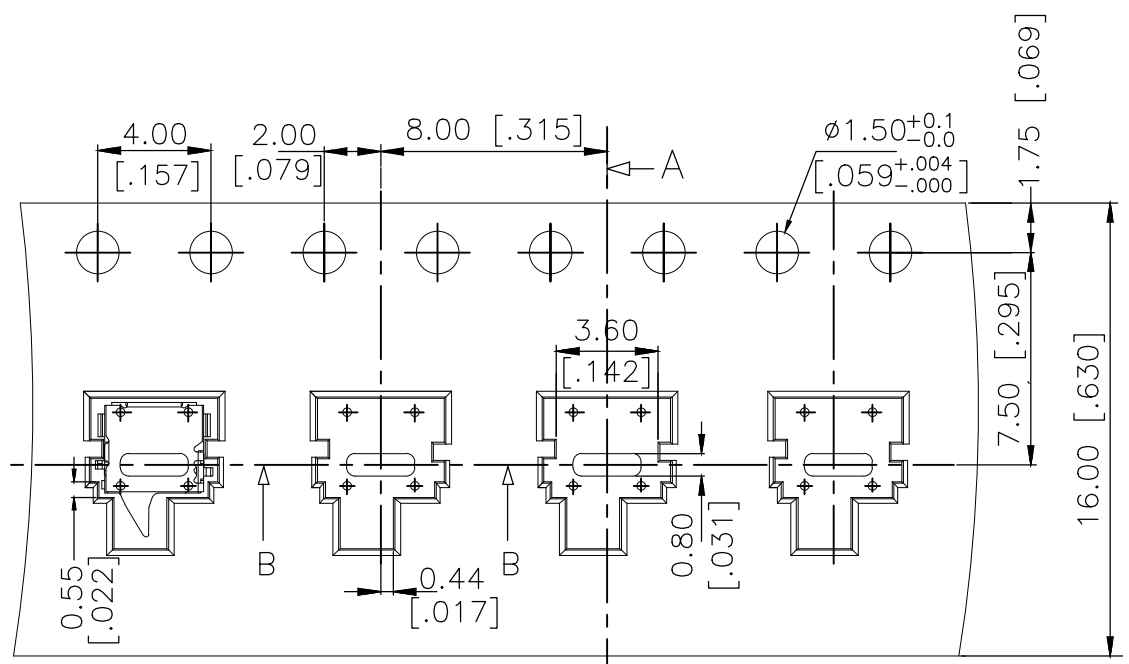
THIS DRAWING IS A CONTROLLED DOCUMENT.		DWN 07MAR2018 GANESH C M	TE Connectivity Ltd.		
DIMENSIONS: mm [INCHES]		CHK 07MAR2018 ALEXANDER SHARPE			
		APVD 07MAR2018 ALEXANDER SHARPE	NAME SWITCH, DETECTOR, JJC SERIES, 3.5X3.3mm, HORIZONTAL, SMT, POSTS, CLOSE		
TOLERANCES UNLESS OTHERWISE SPECIFIED:		PRODUCT SPEC	RESTRICTED TO		
0 PLC ± -		APPLICATION SPEC	SIZE	CAGE CODE	DRAWING NO
1 PLC ± -		WEIGHT	A3	00779	C-2331384
2 PLC ± 0.20 [.008]		CUSTOMER DRAWING			
3 PLC ± -		SCALE	NTS		
4 PLC ± -		SHEET	2 of 3		
ANGLES ± -		REV	A		
MATERIAL		FINISH			
-		-			

THIS DRAWING IS UNPUBLISHED. RELEASED FOR PUBLICATION
 © COPYRIGHT - TE Connectivity Ltd. ALL RIGHTS RESERVED.

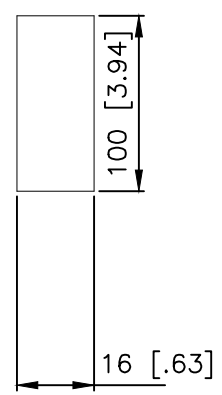
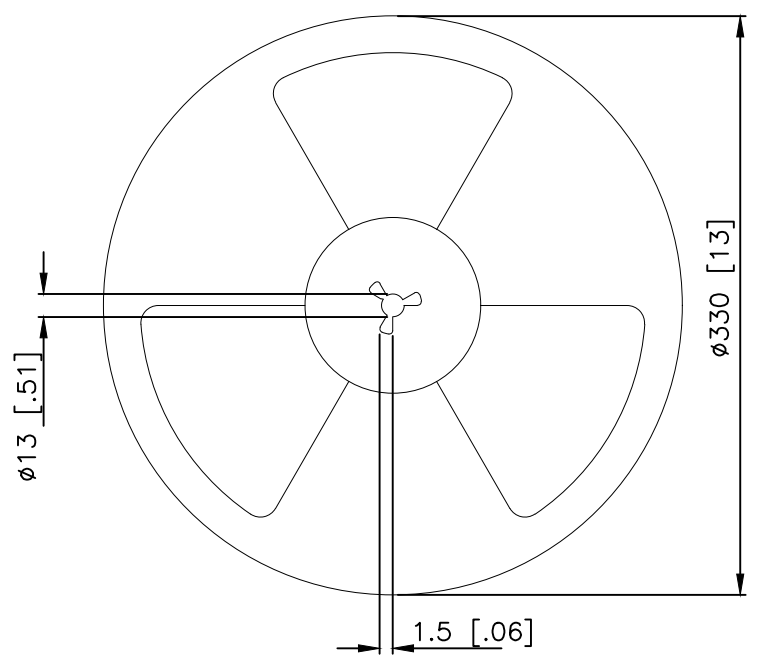
REVISIONS					
P	LTR	DESCRIPTION	DATE	DWN	APVD
-	-	SEE SHEET 1	-	-	-

PACKAGING:
 3500 SWITCHES PER REEL

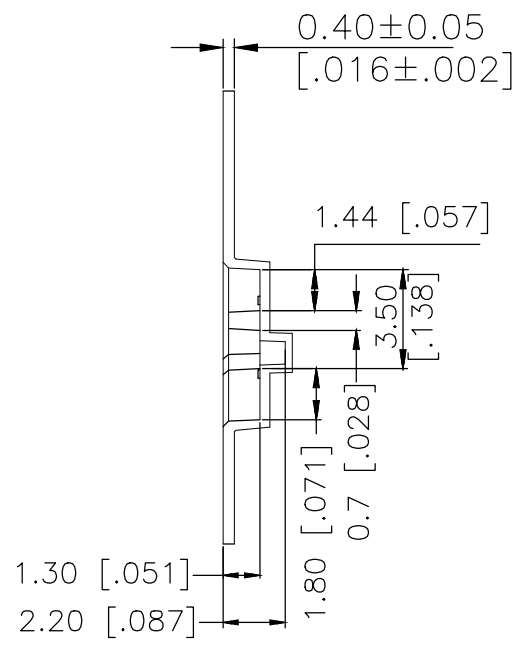
THE DIMENSION OF CARRIER TAPE, COVER TAPE AND REEL



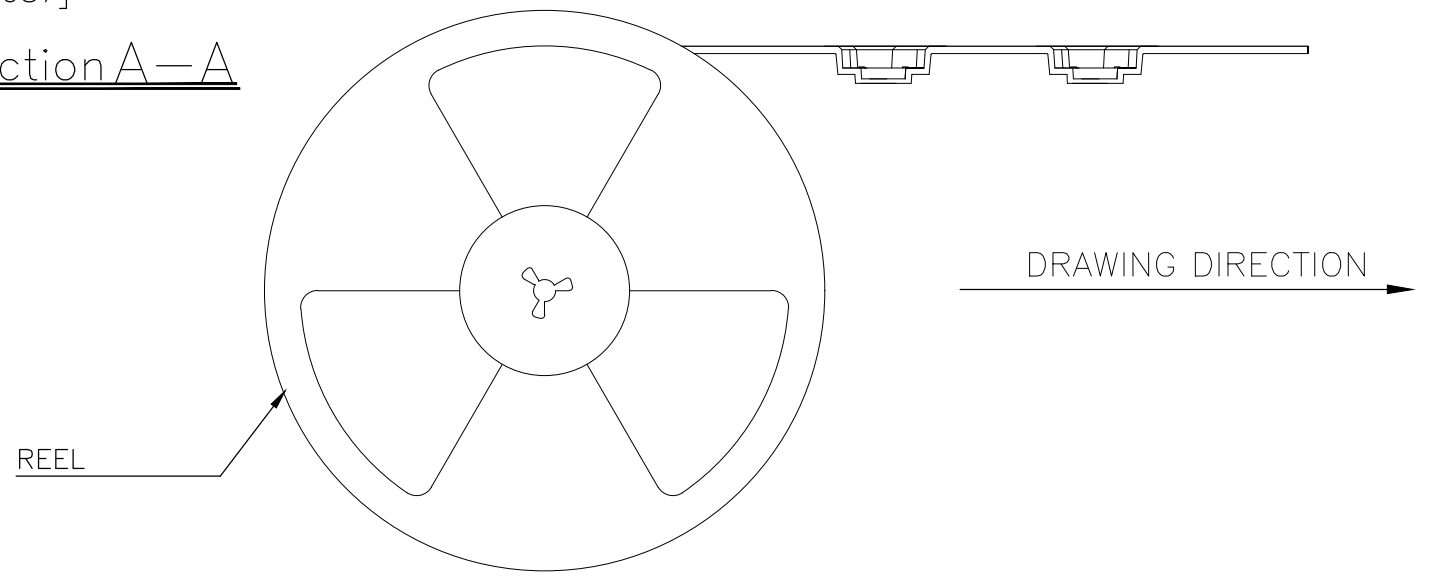
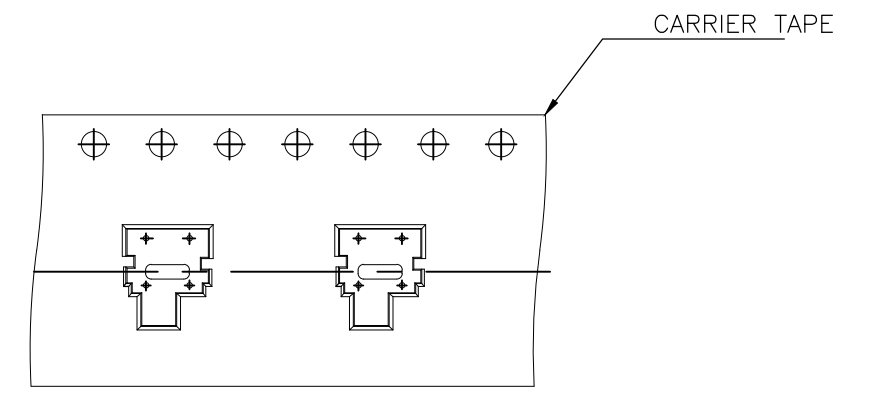
Section B-B



THE DIRECTION OF PILOT HOLES



Section A-A



THIS DRAWING IS A CONTROLLED DOCUMENT.		DWN GANESH C M 07MAR2018	TE Connectivity Ltd.			
DIMENSIONS: mm [INCHES]		CHK ALEXANDER SHARPE 07MAR2018				NAME SWITCH, DETECTOR, JJC SERIES, 3.5X3.3mm, HORIZONTAL, SMT, POSTS, CLOSE
TOLERANCES UNLESS OTHERWISE SPECIFIED:		APVD ALEXANDER SHARPE 07MAR2018	PRODUCT SPEC			
0 PLC ± - 1 PLC ± - 2 PLC ± 0.20 [.008] 3 PLC ± - 4 PLC ± - ANGLES ± -		APPLICATION SPEC	RESTRICTED TO			
MATERIAL		FINISH	WEIGHT	SIZE A3	CAGE CODE 00779	DRAWING NO C-2331384
CUSTOMER DRAWING			SCALE NTS	SHEET 3 OF 3	REV A	