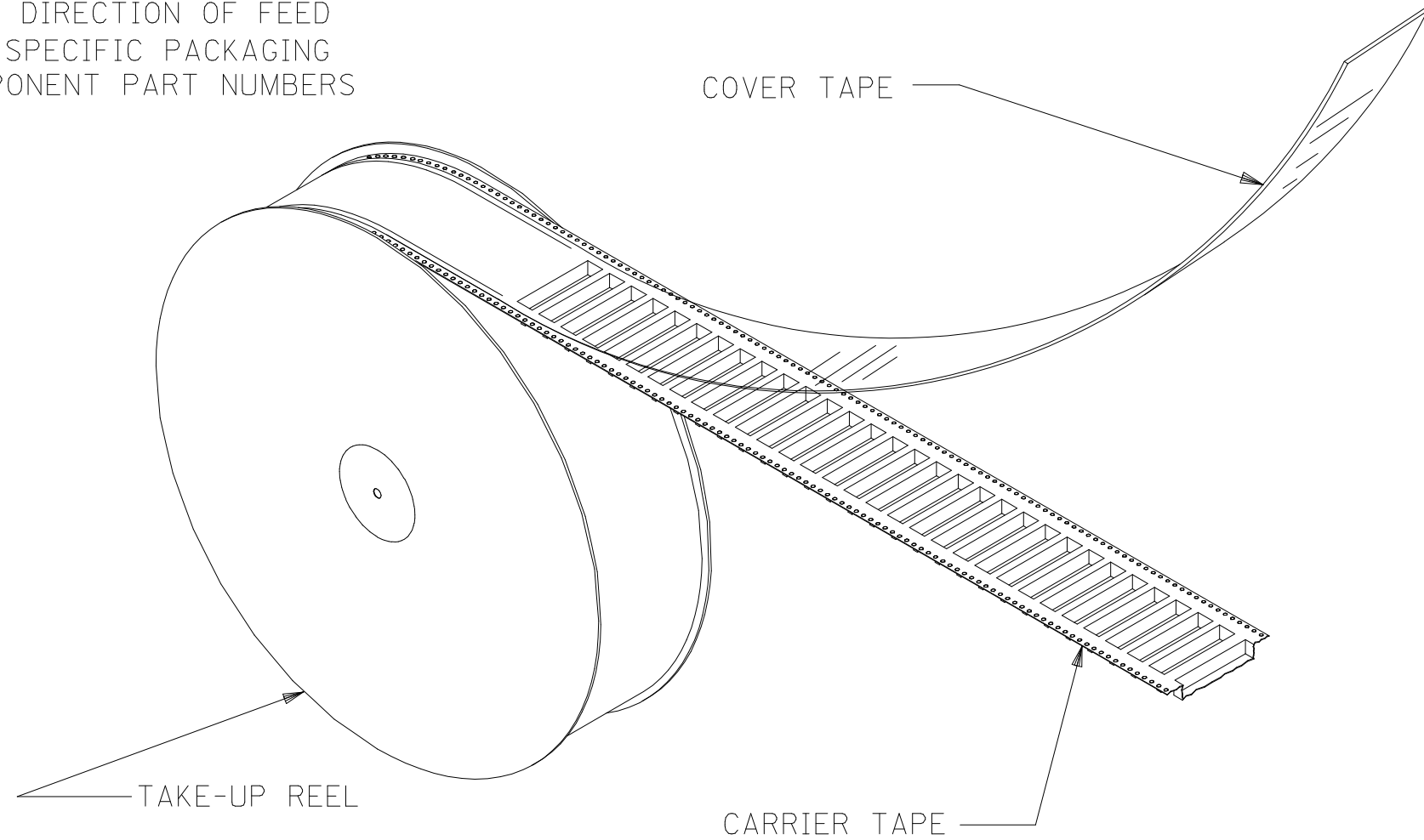


SEE SHEETS 2 AND 3 FOR USER DIRECTION OF FEED AND SPECIFIC PACKAGING COMPONENT PART NUMBERS

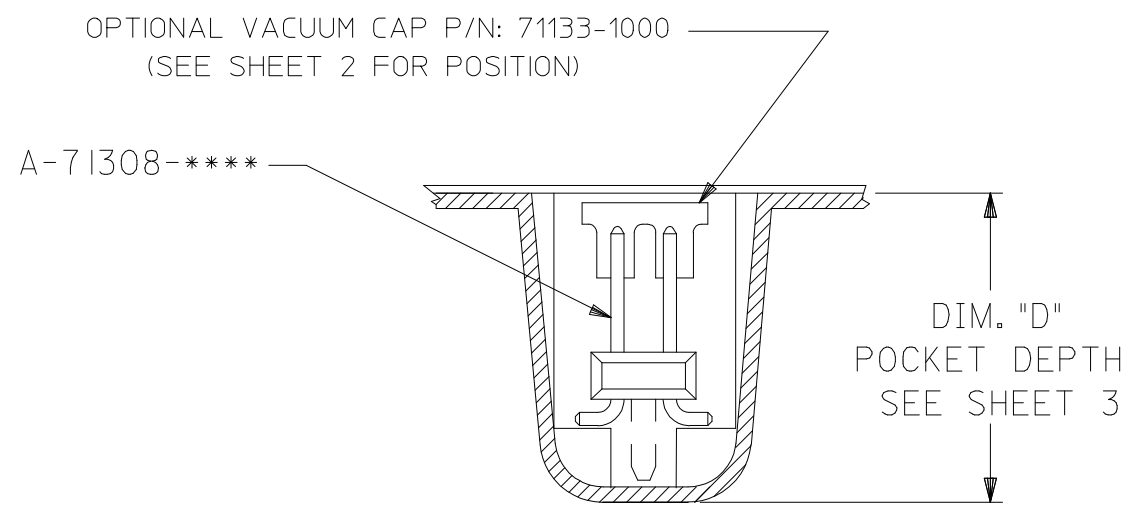
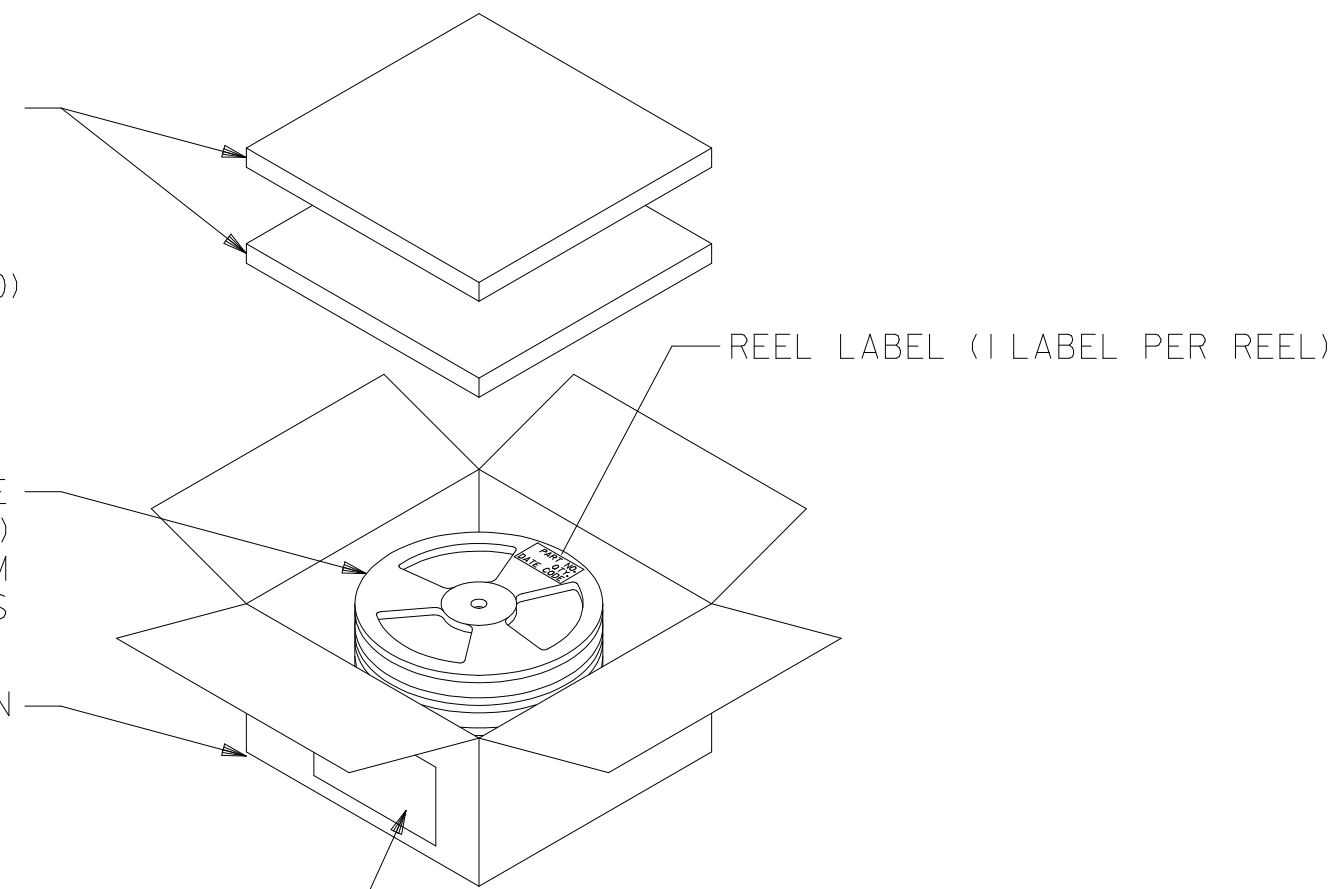


085-04-0591 FOAM FILLER, FILL AS REQUIRED TO TOP OF BOX. (2 PIECES OF FOAM FILLER BETWEEN EACH REEL REQUIRED)

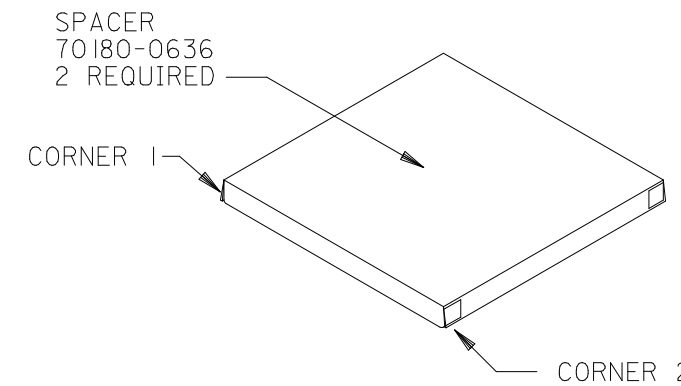
LOADED CARRIER REELS (TO BE ASSEMBLED AS SHOWN ABOVE) SEE CHART FOR COMPONENT ITEM NUMBERS AND PACKAGING QUANTITIES

LARGE TRAY CARTON 96707-0007 OR 96707-1007 OR 96707-0014

BOX LABEL (1 REQUIRED PER BOX)



SPECIAL PACKAGING FOR REELS OF PARTS PACKAGED IN 44 & 88 mm WIDE TAPE



LOAD THE FOLLOWING ITEMS INTO THE BOX IN THE ORDER LISTED: SPACER, 2 PIECES OF FOAM, REEL, 2 PIECES OF FOAM, SPACER

THE FIRST SPACER THAT GOES IN WILL BE TURNED AS SHOWN ABOVE. THE LAST SPACER PLACED IN THE BOX WILL BE TURNED OVER.

TIP FOR PLACING SPACER IN BOX:

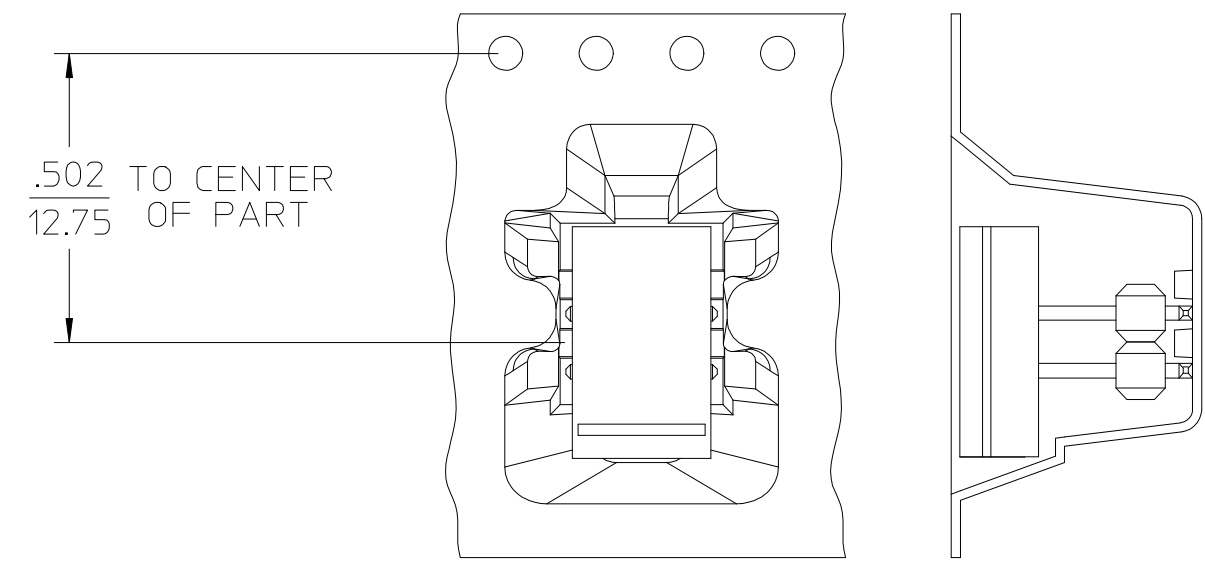
FOLD IN CORNERS 1 AND 2 FIRST, THEN PUSH THEM DOWN INTO THE BOX. DO THE SAME FOR THE TWO REMAINING CORNERS.

NOTES:

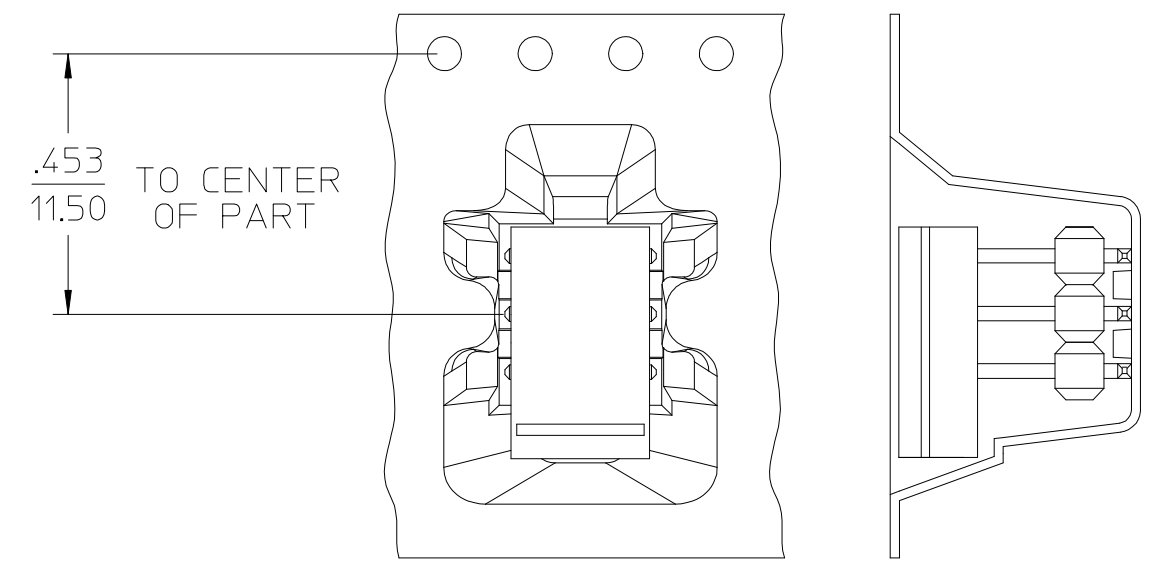
- COVER TAPE SPLICING IS NOT PERMITTED.
- NO TWO (2) CONSECUTIVE POCKETS SHALL BE VOID OF COMPONENTS EXCEPT FOR LEADER & TRAILER. PARTIALLY FILLED REELS ARE NOT PERMITTED.
- THE START OF THE LEADER SHALL BE TAPED WITH A PULL TAB.
- ADJACENT LAYERS SHALL NOT STICK TOGETHER ON THE CARRIER REEL.
- COVER TAPE SHALL HAVE A PEEL STRENGTH OF 0.4±0.3 NEWTONS MEASURED AT 175° TO 180° WITH RESPECT TO THE LONGITUDINAL AXIS OF THE COMPONENT CARRIER TAPE. PEEL OFF SPEED TO BE 120±5 MM PER MINUTE.
- REEL TO HAVE EMPTY POCKETS AT THE INNER WRAP (TRAILER) AND OUTER WRAP (LEADER) AS SPECIFIED IN CHART ON SHEET 3. COVER TAPE SHOULD EXTEND PAST THE EMPTY POCKETS AT THE LEADER BY ABOUT 6 INCHES FOR SECURING WITH TAPE.
- EACH REEL AND CARTON MUST HAVE A LABEL WITH THE FOLLOWING INFORMATION: CONNECTOR ITEM NUMBER, QUANTITY, AND DATE CODE.



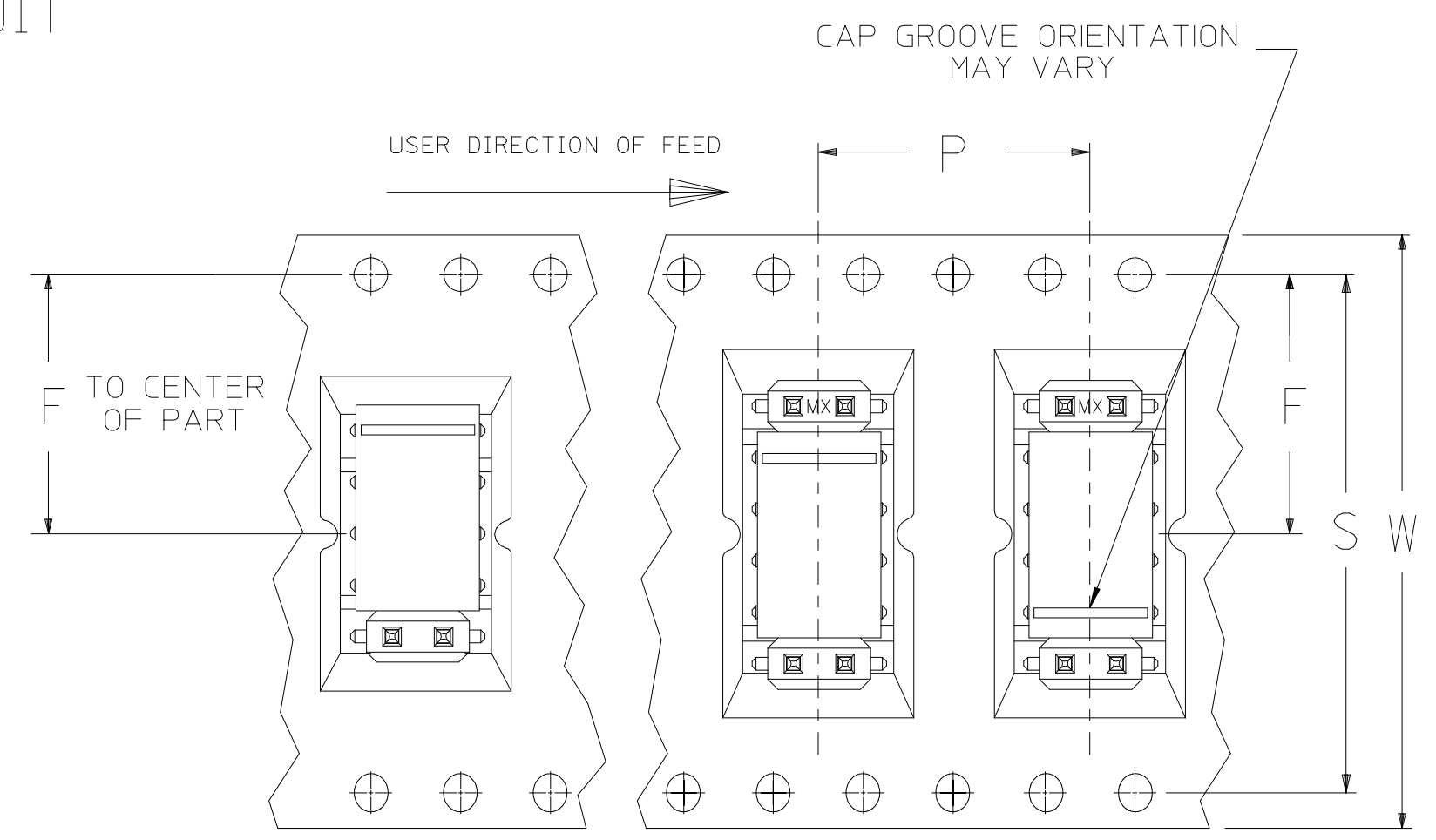
REMOVE 79168 EC NO: UCP2013-0050 DRWN:MMSTROH 2012/07/09 CHKD:MKIPPER 2012/07/13 APPR:FSMITH 2012/07/23	QUALITY SYMBOLS ▽=0 ▽=0 ▽=1	GENERAL TOLERANCES (UNLESS SPECIFIED)		DIMENSION STYLE IN/MM		SCALE	DESIGN UNITS INCH	THIRD ANGLE PROJECTION				
			mm	INCH	DRAWN BY MFM	DATE 1998/06/10	TITLE					
		4 PLACES ± --- ± ---	3 PLACES ± --- ± .005	2 PLACES ± 0.13 ± .010	1 PLACE ± 0.25 ± ---	0 PLACE ± --- ± ---	CHECKED BY DJB	DATE 1998/06/10	PACKAGING SPEC FOR A-71308 ON TAPE AND REEL			
		ANGULAR ±1/2°					APPROVED BY DJB	DATE 1998/06/10				
DRAFT WHERE APPLICABLE MUST REMAIN WITHIN DIMENSIONS					MATERIAL NO. SEE TABLE		DOCUMENT NO. PK-70873-0805	SHEET NO. 1 OF 3				
					SIZE C	THIS DRAWING CONTAINS INFORMATION THAT IS PROPRIETARY TO MOLEX INCORPORATED AND SHOULD NOT BE USED WITHOUT WRITTEN PERMISSION						



PICK AND PLACE CAP
CENTERED OVER WAFER IN
6 CIRCUIT POCKET TAPE
4 CIRCUIT



PICK AND PLACE CAP
PLACED LONG END AWAY FROM
DRIVE HOLES - ONLY FOR
6 CIRCUIT



PICK AND PLACE CAP
PLACEMENT WHEN THERE IS AN
ODD
NUMBER OF CIRCUITS
IN EACH ROW
(10 CKT SHOWN)

PICK AND PLACE CAP
PLACEMENT WHEN THERE IS AN
EVEN
NUMBER OF CIRCUITS
IN EACH ROW
(12 CKT SHOWN)

SEE CHART ON SHEET 3 FOR
START/LEADER AND END/TRAILER POCKET QUANTITIES

NOTE: SHAPE OF POCKET MAY VARY
FROM DEPICTION SHOWN HERE.
COVER TAPE NOT SHOWN.

CKT	CARRIER TAPE ITEM NUMBER	DIM "W"	DIM "S"	DIM "P"	DIM "F"
4	70180-5403	.945/(24.00)	--	.630/(16.00)	.502/(12.75)
	70180-5413	.945/(24.00)	--	.630/(16.00)	.502/(12.75)
6	70180-5403	.945/(24.00)	--	.630/(16.00)	.453/(11.50)
	70180-5413	.945/(24.00)	--	.630/(16.00)	.453/(11.50)
8	70180-5411	.945/(24.00)	--	.630/(16.00)	.453/(11.50)
	70180-5415	.945/(24.00)	--	.630/(16.00)	.453/(11.50)
10	70180-5404	1.260/(32.00)	1.118/(28.40)	.630/(16.00)	.559/(14.20)
	70180-5418	1.260/(32.00)	1.118/(28.40)	.630/(16.00)	.559/(14.20)
12	70180-5429	1.260/(32.00)	1.118/(28.40)	.630/(16.00)	.559/(14.20)
	70180-5408	1.260/(32.00)	1.118/(28.40)	.630/(16.00)	.559/(14.20)
14	70180-5414	1.260/(32.00)	1.118/(28.40)	.630/(16.00)	.559/(14.20)
	70180-5412	1.732/(44.00)	1.591/(40.40)	.630/(16.00)	.795/(20.20)
16	70180-5428	1.732/(44.00)	1.591/(40.40)	.945/(24.00)	.795/(20.20)
	70180-5407	1.732/(44.00)	1.591/(40.40)	.945/(24.00)	.795/(20.20)
24	70180-5424	2.205/(56.00)	2.063/(52.40)	.945/(24.00)	1.032/(26.20)
	70180-5425	2.205/(56.00)	2.063/(52.40)	.945/(24.00)	1.032/(26.20)
26	70180-5427	2.205/(56.00)	2.063/(52.40)	.945/(24.00)	1.032/(26.20)
40	70180-5405	2.835/(72.00)	2.693/(68.40)	.945/(24.00)	1.346/(34.20)
50	70180-5409	3.465/(88.00)	3.323/(84.40)	.945/(24.00)	1.662/(42.20)
52	70180-5419	3.465/(88.00)	3.323/(84.40)	.945/(24.00)	1.662/(42.20)

SEE SHEET 1 EC NO: UCP2013-0050 DRWN:MMSTROH 2012/07/09 CHKD:MKIPPER 2012/07/13 APPR:FSM TH 2012/07/23 T6	QUALITY SYMBOLS 	GENERAL TOLERANCES (UNLESS SPECIFIED)		DIMENSION STYLE IN/MM		SCALE	DESIGN UNITS INCH	THIRD ANGLE PROJECTION			
		4 PLACES ± --- ± ---		DRAWN BY MFM		DATE 1998/06/10		TITLE PACKAGING SPEC FOR A-71308 ON TAPE AND REEL			
		3 PLACES ± --- ± .005		CHECKED BY DJB		DATE 1998/06/10		MATERIAL NO. SEE TABLE			
		2 PLACES ± 0.13 ± .010		APPROVED BY DJB		DATE 1998/06/10		DOCUMENT NO. PK-70873-0805		SHEET NO. 2 OF 3	
		1 PLACE ± 0.25 ± ---		DRAFT WHERE APPLICABLE MUST REMAIN WITHIN DIMENSIONS		SIZE C		THIS DRAWING CONTAINS INFORMATION THAT IS PROPRIETARY TO MOLEX INCORPORATED AND SHOULD NOT BE USED WITHOUT WRITTEN PERMISSION			

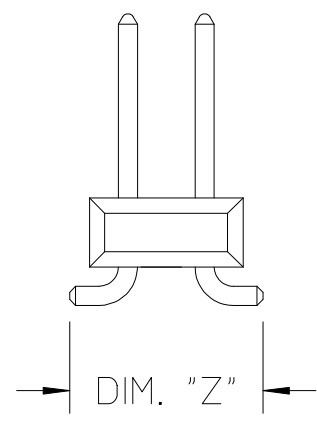
CKT SIZE	PEG VERSION	ASSY. MATE LENGTH	DIM. "Z"	CARRIER TAPE ITEM NUMBER	COVER TAPE ITEM NUMBER	TAPE LENGTH	NUMBER OF EMPTY POCKETS		TAKE-UP REEL ITEM NUMBER	PARTS PER REEL	REELS PER BOX	STD PACK QTY (SPQ)	DIM. "D" POCKET DEPTH
							END/TRAILER	START/LEADER					
4	.130 & UNDER	.240	.275/(6.99)	70180-5403	43655-0013	4400mm	25	20	70180-6511	230	5	1150	.595/(15.12)
	NO PEG			70180-5413	43655-0013	6000mm	25	20	70180-6511	330	5	1650	.453/(11.50)
6	.130 & UNDER			70180-5403	43655-0013	4400mm	25	20	70180-6511	230	5	1150	.595/(15.12)
	NO PEG			70180-5413	43655-0013	6000mm	25	20	70180-6511	330	5	1650	.453/(11.50)
8	.130 & UNDER			70180-5411	43655-0013	4400mm	25	20	70180-6511	230	5	1150	.595/(15.12)
	NO PEG			70180-5415	43655-0013	6000mm	25	20	70180-6511	330	5	1650	.453/(11.50)
10	.130 & UNDER			70180-5404	43655-0001	4400mm	25	20	70180-6512	230	4	920	.595/(15.12)
	NO PEG			70180-5418	43655-0001	6000mm	25	20	70180-6512	330	4	1320	.453/(11.50)
12	NO PEG			70180-5429	43655-0001	6000mm	25	20	70180-6512	330	4	1320	.453/(11.50)
14	.130 & UNDER			70180-5408	43655-0001	4400mm	25	20	70180-6512	230	4	920	.595/(15.12)
	NO PEG			70180-5414	43655-0001	6000mm	25	20	70180-6512	330	4	1320	.453/(11.50)
16	.130 & UNDER			70180-5412	43655-0002	4400mm	25	20	70180-6513	230	2 *	460	.595/(15.12)
20	.055 & UNDER	70180-5407	43655-0002	5064mm	17	14	70180-6513	180	2 *	360	.574/(14.57)		
24	.130 & UNDER	.320	70180-5424	43655-0003	3864mm	17	14	70180-6514	130	2	260	.659/(16.74)	
	NO PEG	.240	70180-5425	43655-0003	4344mm	17	14	70180-6514	150	2	300	.595/(15.12)	
26	.130 & UNDER	.240	70180-5427	43655-0003	4344mm	17	14	70180-6514	150	2	300	.595/(15.12)	
40	.055 & UNDER		70180-5405	43655-0005	6264mm	17	14	43651-5000	230	2	460	.475/(12.07)	
50	.130 & UNDER		70180-5409	43655-0007	4344mm	17	14	43651-7000	150	1 *	150	.595/(15.12)	
52	.130 & UNDER		70180-5419	43655-0007	4344mm	17	14	43651-7000	150	1 *	150	.595/(15.12)	

* SEE SHEET ONE FOR SPECIAL PACKAGING INSTRUCTIONS FOR 44 AND 88 mm WIDE TAPES.
 PACKAGING WILL ALSO ACCOMMODATE PARTS WITH NO PEGS.

THE FOLLOWING PACKAGING APPLIES TO PARTS WITH A "Z" DIMENSION OF .252/(6.40) ONLY

CKT SIZE	PEG VERSION	ASSY. MATE LENGTH	DIM. "Z"	CARRIER TAPE ITEM NUMBER	COVER TAPE ITEM NUMBER	TAPE LENGTH	NUMBER OF EMPTY POCKETS		TAKE-UP REEL ITEM NUMBER	PARTS PER REEL	REELS PER BOX	STD PACK QTY (SPQ)	DIM. "D" POCKET DEPTH
							END/TRAILER	START/LEADER					
16	NO PEG	.332	.252/(6.40)	70180-5428	43655-0002	5544mm	17	14	70180-6513	200	2 *	400	.532/(13.50)

* SEE SHEET ONE FOR SPECIAL PACKAGING INSTRUCTIONS FOR 44 AND 88 mm WIDE TAPES.



SEE SHEET 1 EC NO: UCP2013-0050 DRWN:MMSTROH 2012/07/09 CHKD:MKIPPER 2012/07/13 APPR:FSM/TH 2012/07/23	QUALITY SYMBOLS 	GENERAL TOLERANCES (UNLESS SPECIFIED)		DIMENSION STYLE IN/MM		SCALE	DESIGN UNITS INCH	THIRD ANGLE PROJECTION	
		4 PLACES ± --- ± ---	mm INCH	DRAWN BY MFM	DATE 1998/06/10	TITLE PACKAGING SPEC FOR A-71308 ON TAPE AND REEL			
		3 PLACES ± --- ± .005	2 PLACES ± 0.13 ± .010	CHECKED BY DJB	DATE 1998/06/10				
		1 PLACE ± 0.25 ± ---	0 PLACE ± --- ± ---	APPROVED BY DJB	DATE 1998/06/10				
ANGULAR ± 1/2°		MATERIAL NO.	DOCUMENT NO.	SHEET NO.					
DRAFT WHERE APPLICABLE MUST REMAIN WITHIN DIMENSIONS		SEE CHART		PK-70873-0805		3 OF 3			
T6		SIZE C		THIS DRAWING CONTAINS INFORMATION THAT IS PROPRIETARY TO MOLEX INCORPORATED AND SHOULD NOT BE USED WITHOUT WRITTEN PERMISSION					