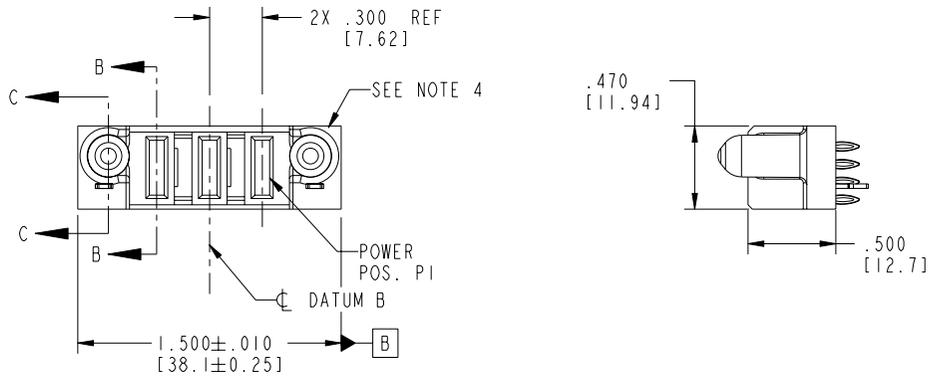


Tous droits strictement réservés. Reproduction ou communication à des tiers interdite sous quelque forme que ce soit sans autorisation écrite du propriétaire. Propriété de c FCI. Droits de reproduction FCI.

All rights strictly reserved. Reproduction or issue to third parties in any form whatever is not permitted without written authority from the proprietor. Property of FCI. Copyright FCI.

PRODUCT NO.	POWER				
	E2	P3	P2	P1	E1
51940-076-- NOTE:3					



CODE	DIM "M" MATING LENGTH	CONTACT TYPE
PC	.042 [1.07]	POWER
HA	N/A [N/A]	HOLD-DOWN

mat'l code				SEE NOTE 2		tolerances unless otherwise specified		CUSTOMER		 www.fciconnect.com	
ltr	ecn no.	dr	date	linear	.XX±.01/0.X±0.3	projection		COPY		title	
A	V04-0172	TAB	02/19/04		.XXX±.005/0.XX±0.13					3P	
B	DG05-0490	CS	11/22/05	angles	.XXX±.0020/0.XXX±0.051			INCH/MM		product family	
				dr	0±.005	scale		1:1		PwrBlade	
				enr	T. BRUNGARD 02/19/04			A		code	
				chr	M. GRAY 02/19/04					213	
				appd	M. GRAY 02/19/04					sheet	
sheet index	revision	B	B	B	B					1 of 4	
	sheet	1	2	3	4						

cage code 22526 4

PDM: Rev:B

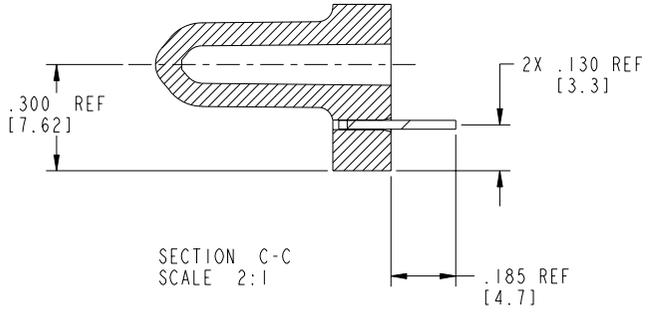
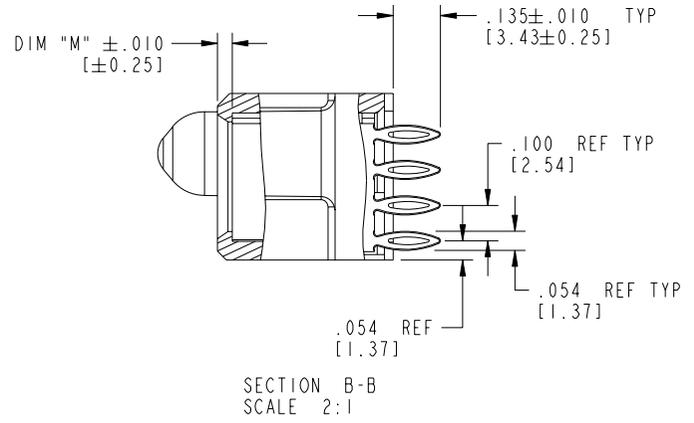
STATUS:Released

Printed: Dec 20, 2010

Tous droits strictement réservés. Reproduction ou communication a des tiers interdite sous quelque forme que ce soit sans autorisation écrite du propriétaire. Propriété de c FCI. Droits de reproduction FCI.

All rights strictly reserved. Reproduction or issue to third parties in any form whatever is not permitted without written authority from the proprietor. Property of FCI. Copyright FCI.

PRODUCT NUMBER  
51940-076\_\_  
NOTE: 3



mat'l code		SEE NOTE 2		tolerances unless otherwise specified		CUSTOMER		 www.fciconnect.com	
ltr	ecn no.	dr	date	linear	.XX±.01/0.X±0.3	COPY		projection	title
B					.XXX±.005/0.XX±0.13	INCH/MM			3P
				angles	.XXX±.0020/0.XX±0.051	scale			VERTICAL PRESS-FIT RECEIPT
				dr	0°±2°	1:1		product family	PwrBlade
				enr	T. BRUNGARD 02/19/04			size	213
				chr	M. GRAY 02/19/04			dwg no	51940-076
				appd	M. GRAY 02/19/04			sheet	2 of 4
sheet index	revision sheet								

cage code 22526 4

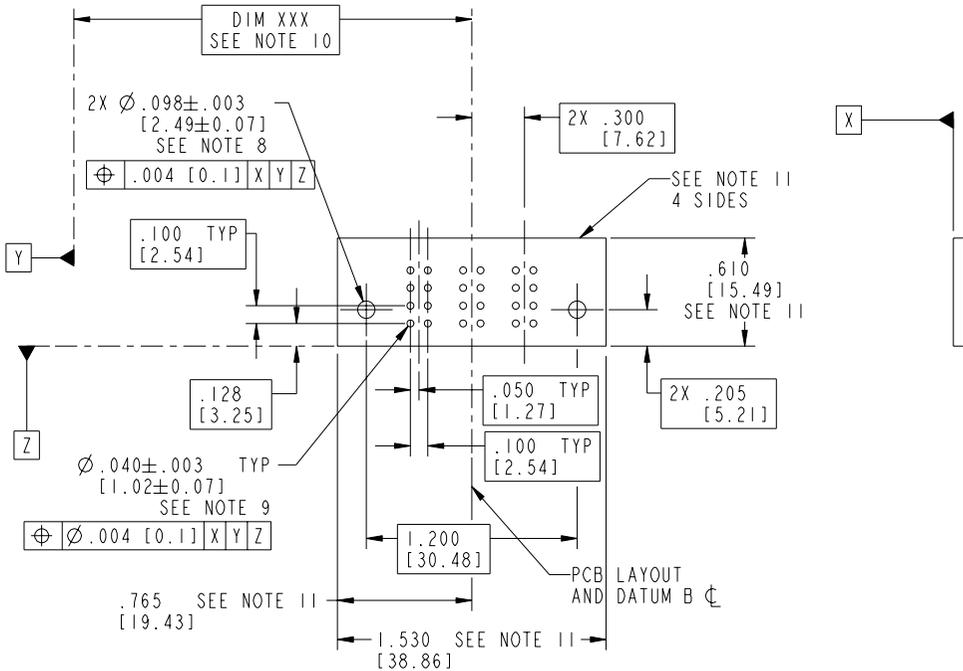
Pro/E

Tous droits strictement réservés. Reproduction ou communication a des tiers interdite sous quelque forme que ce soit sans autorisation écrite du propriétaire. Propriété de c FCI. Droits de reproduction FCI.

All rights strictly reserved. Reproduction or issue to third parties in any form whatever is not permitted without written authority from the proprietor. Property of FCI. Copyright FCI.

PRODUCT NUMBER  
51940-076\_\_  
NOTE: 3

1 | 2 | 3 | 4



mat'l code		SEE NOTE 2		tolerances unless otherwise specified		CUSTOMER		 www.fciconnect.com	
ltr	ecn no.	dr	date	linear	.XX±.01/0.X±0.3	COPY		title	
B				angles	.XXX±.005/0.XX±0.13	projection		3P	
				dr	.XXX±.002/0.XX±0.051			VERTICAL PRESS-FIT RECEIPT	
				enr	0°±2°	INCH/MM		product family	
				chr	T. BRUNGARD 02/19/04	scale		PwrBlade	
				appd	M. GRAY 02/19/04	1:1		code	
sheet index		revision sheet						213	
								sheet	
								3 of 4	

A  
FCI  
B

A  
B

1 | 2 | Pro/E | 3 | cage code 22526 | 4

Tous droits strictement réservés. Reproduction ou communication a des tiers interdite sous quelque forme que ce soit sans autorisation écrite du propriétaire. Propriété de c FCI. Droits de reproduction FCI.

**A**  
**FCI**

All rights strictly reserved. Reproduction or issue to third parties in any form whatever is not permitted without written authority from the proprietor. Property of FCI. Copyright FCI.

PRODUCT NUMBER

51940-076\_\_  
NOTE: 3

NOTES:

1. DIMENSIONS AND TOLERANCES ARE IN ACCORDANCE WITH ASME Y14.5M, 1994 UNLESS OTHERWISE SPECIFIED.

CONNECTOR NOTES:

2 HOUSING MATERIAL: UL 94 V-0 GLASS FILLED  
HIGH-TEMP THERMOPLASTIC  
POWER CONTACT MATERIAL: COPPER ALLOY  
SIGNAL PIN MATERIAL: COPPER ALLOY

3. PLATING:

51940-076 Singal Pin:30u"/0.76um Au OVER 50u"/1.27um Ni ON THE CONTACT AREA  
AND 100u"/2.54um SnPb PLATING OVER 50u"/1.27um Ni ON THE TERMINATION SECTION.  
Power Pin:30u"/0.76um Au OVER 50u"/1.27um Ni ON THE CONTACT AREA,  
AND 100u"/2.54um SnPb PLATING OVER 50u"/1.27um Ni ON THE TERMINATION SECTION.

51940-076LF Singal Pin:30u"/0.76um Au OVER 50u"/1.27um Ni ON THE CONTACT AREA  
AND 78u"/2.00um Sn PLATING OVER 50u"/1.27um Ni ON THE TERMINATION SECTION.  
Power Pin:30u"/0.76um Au OVER 50u"/1.27um Ni ON THE CONTACT AREA,  
AND 78u"/2.00um Sn PLATING OVER 50u"/1.27um Ni ON THE TERMINATION SECTION.

PART NUMBER 51940-076LF MEETS EUROPEAN UNION DIRECTIVE AND OTHER COUNTRY REGULATIONS AS DESCRIBED IN GS-22-008.

THE HOUSING WILL WITHSTAND EXPOSURE TO 260° PEAK TEMPERATURE FOR 10 SECONDS IN A WAVE SOLDER APPLICATION WITH A CIRCUIT BOARD.

4 MANUFACTURER'S NAME, P/N, AND DATE CODE TO APPEAR ON THIS SURFACE.

5. PRODUCT SPECIFICATION GS-12-149.  
APPLICATION SPECIFICATION BUS-20-067.

6. PACKAGED IN TRAYS.

PCB NOTES:

7. ALL HOLE DIAMETERS ARE FINISHED HOLE SIZE.

8 MOUNTING HOLES, WHERE APPLICABLE, ARE UNPLATED.

9  $\varnothing .0453 \pm .0010$  [1.151  $\pm$  0.025] DRILLED HOLES PLATED WITH  
.0003 [0.008] MIN SnPb OVER .001 [0.03]  
TO .003 [0.08] Cu PLATING TO ACHIEVE  
 $\varnothing .040 \pm .003$  [1.02  $\pm$  .07] HOLE.

10 "DIM XXX" TO BE DETERMINED BY THE CUSTOMER.

11 CONNECTOR KEEP-OUT ZONE.

mat'l code				SEE NOTE 2				tolerances unless otherwise specified				CUSTOMER				<b>A</b> <b>FCI</b> www.fciconnect.com			
ltr	ecn no.	dr	date	linear	.XX±.01/0.X±0.3			COPY				projection				title			
B					.XXX±.005/0.XX±0.13			INCH/MM				3P				VERTICAL PRESS-FIT RECEPT			
				angles	.XXXX±.0020/0.XXX±0.051			scale				product family				code			
					0°±2°			1:1				PwrBlade				213			
				dr	T. BRUNGARD 02/19/04			A				51940-076				sheet			
				enr	M. GRAY 02/19/04											4 of 4			
				chr	M. GRAY 02/19/04														
				appd	M. GRAY 02/19/04														
sheet index		revision sheet		Pro/E		3		cage code		22526		4							