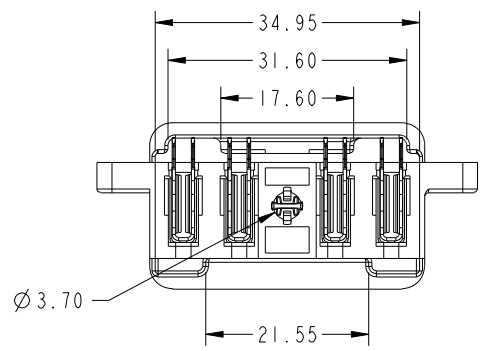
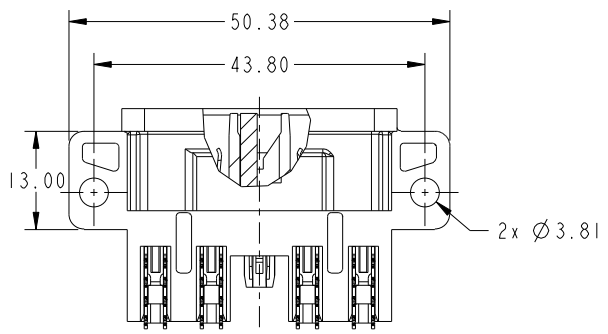
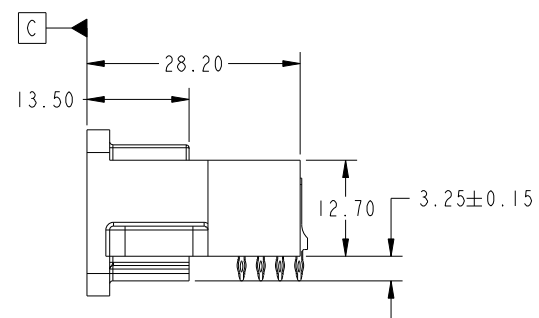
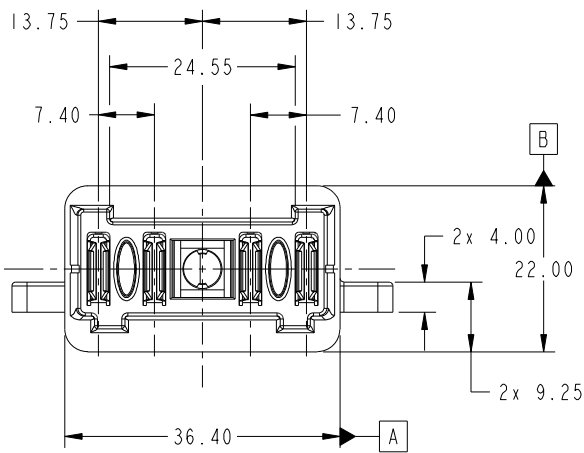


PRODUCT NO. 51939-889-- NOTE 3	POWER				
	P1	P2	CODING KEY	P3	P4
	PX	PX		PX	PX

CODE	CONTACT TYPE
PX	POWER



Copyright FCI.

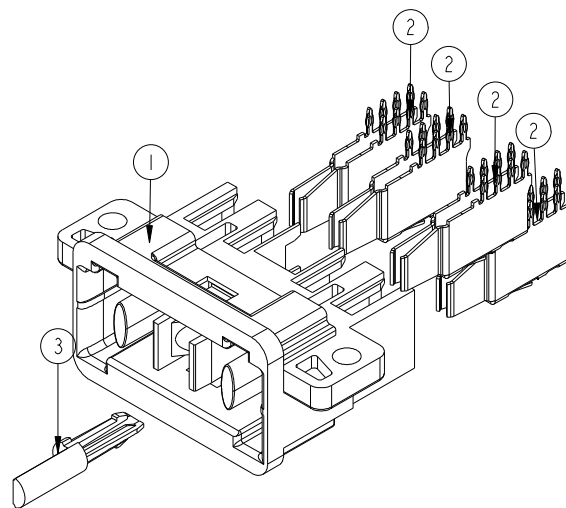
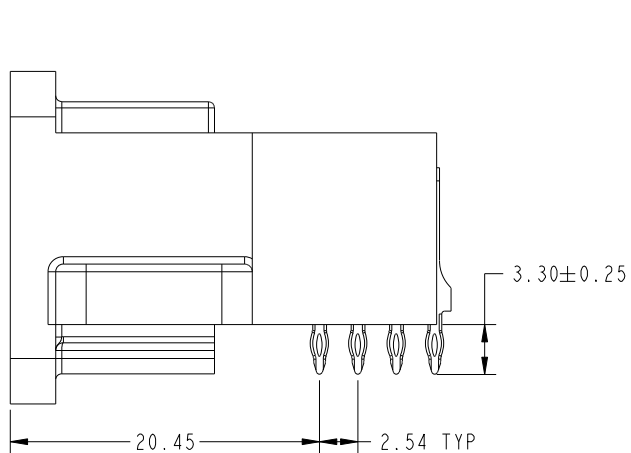
spec ref	*	dr	Luo Weller	2014/05/28	projection	MM	size	A4	scale	1:1
tolerance std	TOLERANCES UNLESS OTHERWISE SPECIFIED	eng	Luo Weller	2014/06/17			←→	ecn no	-	
surface	✓	chr	-	-	product family	TWINBLADE		rel level	Released	
	linear	appr	Pei-Ming Zheng	2014/06/17	title		2P + Coding + 2P		dwg no	51939-889
					R/A PF HEADER				rev	A
	angular				cat. no.	-	Product - Customer Drw		sheet 1 of 5	

ProvE File - REV C - 2009-06-09

PRODUCT NUMBER

51939-889__
NOTE: 3

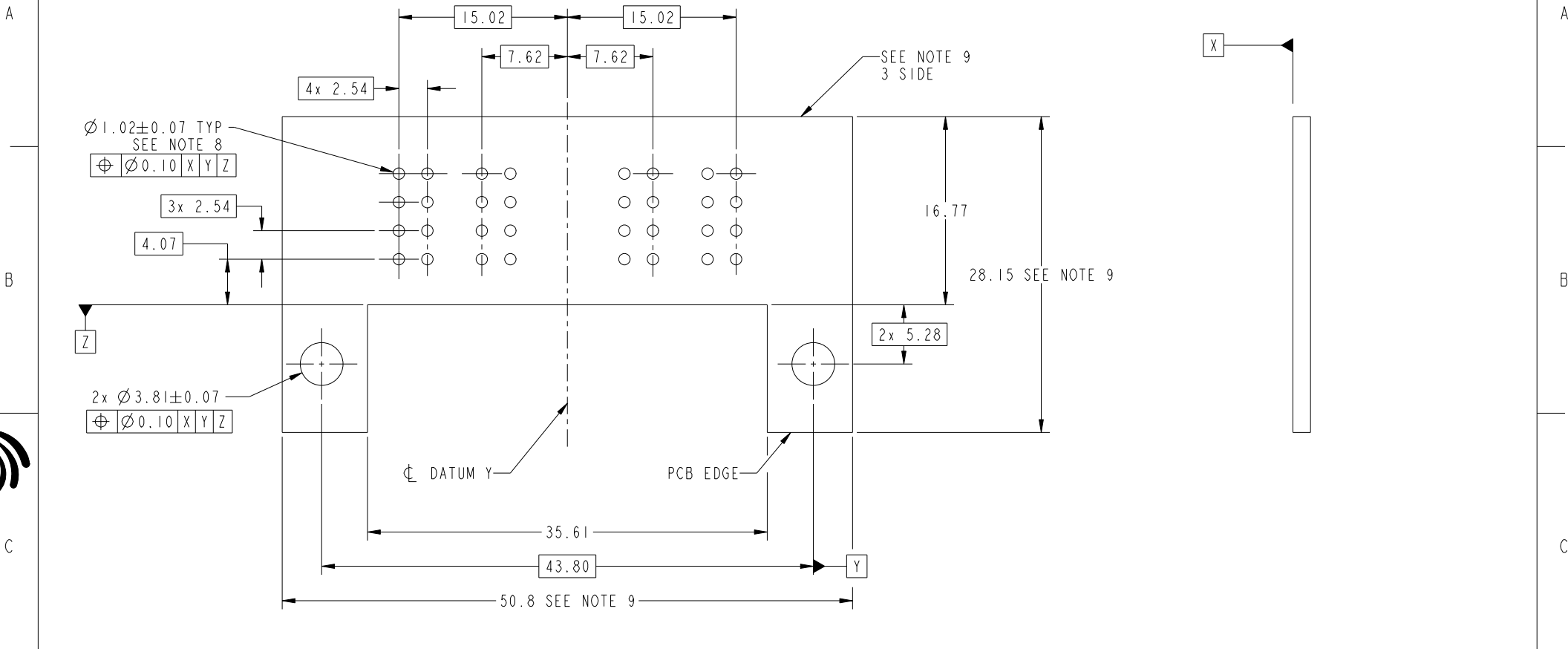
INDEX	MODULE TYPE	QTY
1	HOUSING	1
2	POWER CONTACT	4
3	CODING KEY	1
NOTE 6		



SCALE 2:1

dr	Luo Weller	2014/05/28	projection 	MM ←→	size	A4	scale	1:1			
eng	Luo Weller	2014/06/17			ecn no	-					
chr	-	-	product family	TWINBLADE	rel level	Released					
appr	Pei-Ming Zheng	2014/06/17			title	2P + Coding + 2P		dwg no	51939-889	rev	A
www.fci.com			cat. no.	-	Product - Customer Drw			sheet 2 of 5			

PRODUCT NUMBER
51939-889__
NOTE 3



RECOMMENDED PCB LAYOUT

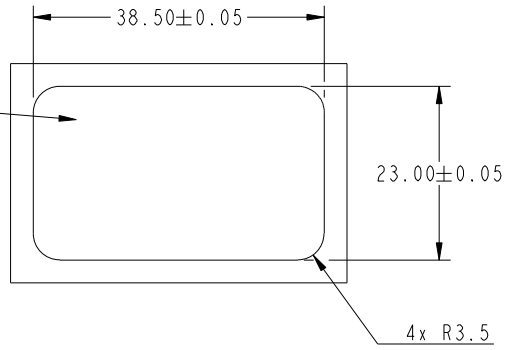
dr	Luo Weller	2014/05/28	projection	MM	size	A4	scale	2:1
eng	Luo Weller	2014/06/17			ecn no	-		
chr	-	-			rel level	Released		
appr	Pei-Ming Zheng	2014/06/17	product family	TWINBLADE				
	title	2P + Coding + 2P		dwg no	51939-889		rev	A
		R/A PF HEADER						
www.fci.com	cat. no.	-	Product - Customer Drw		sheet 3 of 5			



Copyright FCI.

PRODUCT NUMBER
51939-889__
NOTE 3

CUT OUT IN FRONT PANEL
(FCI ONLY RECOMMENDS DIMENSIONS OF
PANEL WINDOW HOLDING CONNECTOR,
CUSTOMER SHALL DECIDE THE OUTLINE AND
OTHER RELATED DIMENSIONS OF PANEL)



RECOMMENDED PANEL LAYOUT



Copyright FCI.

dr	Luo Weller	2014/05/28	projection	MM	size	A4	scale	1:1
eng	Luo Weller	2014/06/17			ecn no	-		
chr	-	-			rel level	Released		
appr	Pei-Ming Zheng	2014/06/17	product family	TWINBLADE				
	title	2P + Coding + 2P		dwg no	51939-889		rev	A
www.fci.com	cat. no.	-	Product - Customer Drw		sheet 4 of 5			

PRODUCT NUMBER

51939-889__
NOTE 3

NOTES:

1. DIMENSIONS AND TOLERANCES ARE IN ACCORDANCE WITH ASME Y14.5M, 1994 UNLESS OTHERWISE SPECIFIED.

2. CONNECTOR NOTES:

HOUSING MATERIAL: UL 94 V-0 GLASS FILLED HIGH-TEMP THERMOPLASTIC
CODING KEY: UL 94 V-0 GLASS FILLED HIGH-TEMP THERMOPLASTIC - COLOR: RED
POWER CONTACT MATERIAL: COPPER ALLOY
DUST COVER : UL 94 V-0 GLASS FILLED HIGH-TEMP THERMOPLASTIC

3. PLATING:

SEE ITEM 1 & 2 IN PRINT 10092675 FOR PLATING SPEC OF 51939-889 AND 51939-889LF RESPECTIVELY.

PART NUMBER 51939-889LF MEETS EUROPEAN UNION DIRECTIVE AND OTHER COUNTRY REGULATIONS AS DESCRIBED IN GS-22-008.

THE HOUSING WILL WITHSTAND EXPOSURE TO 260° PEAK TEMPERATURE FOR 10 SECONDS IN A WAVE SOLDER APPLICATION WITH A CIRCUIT BOARD.

4. MANUFACTURER'S NAME, P/N, AND DATE CODE TO APPEAR ON THIS SURFACE.

5. PRODUCT SPECIFICATION GS-12-1162.
APPLICATION SPECIFICATION BUS-20-067.

6. PACKAGED IN TRAYS.
THE CODING KEY IS PACKAGED WITH CONNECTOR IN SAME BOX SEPARATELY AND IT WILL BE ASSEMBLED BY CUSTOMER.

PCB NOTES:

7. ALL HOLE DIAMETERS ARE FINISHED HOLE SIZE.

8. $\varnothing 1.151 \pm 0.025$ DRILLED HOLES PLATED WITH 0.008 MIN Sn OVER 0.03 TO 0.08 Cu PLATING TO ACHIEVE $\varnothing 1.02 \pm 0.07$ HOLE

9. CONNECTOR KEEP-OUT ZONE.

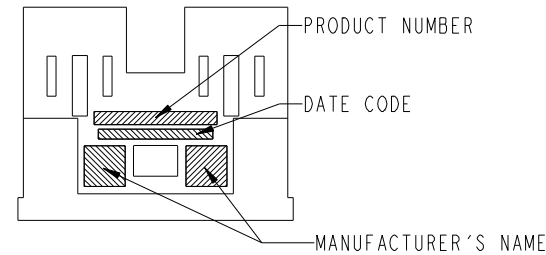


FIGURE 1
SEE NOTE 4

dr	Luo Weller	2014/05/28	projection	MM	size	A4	scale	1:1			
eng	Luo Weller	2014/06/17			ecn no	-					
chr	-	-		product family	TWINBLADE	rel level	Released				
appr	Pei-Ming Zheng	2014/06/17		www.fci.com	title	2P + Coding + 2P		dwg no	51939-889	rev	A
						R/A PF HEADER					
						cat. no.		Product - Customer Drw		sheet 5 of 5	