



金龙机电股份有限公司

JINLONG MACHINERY & ELECTRONICS

www.jinlong-machinery.com

sales@jinlong-machinery.com

PRODUCT SPECIFICATION

| | | |
|------|--|--|
| 客户信息 | 客户名称/Customer | |
| | 客户代码/Part No. | |
| | 客户确认签章 /Customer Approved Signatures | |

| | | | |
|------------------|------------------------------|---|----------------|
| K O T L | 文件编号/Spec No. | KOTL-S15035 | |
| | 品名描述/ Product Description | 水平线性振动电机 Horizontal linear vibration motor | |
| | 型号/Part No. | LV061228B-L65-A | |
| | 送样日期/Date | | |
| | 设计/Designed by | 审核/Checked by | 批准/Approved by |
| | Lin Fengjun | Yan Xinjiang | James Chen |
| | 2016.7.5 | 2016.7.5 | 2016.7.7 |

Keywords: Linear Vibrator, 150hms, 6x12x2.8mm, Wire Contact, GP Compliant

NO. Issue: X1 Revision Date: 03/07/2017 Page: 2/11

| | | | |
|------------------|---------------|------------|------------|
| Mechanical Eng. | Lin Fengjun | Check/Apr. | James Chen |
| Package Eng. | Huang Haojing | | |
| Application Eng. | | Check/Apr. | |

| Date | Issue | Detail changes |
|------------|-------|------------------|
| 03/07/2017 | X1 | Document created |
| | | |
| | | |
| | | |
| | | |
| | | |
| | | |
| | | |
| | | |
| | | |
| | | |
| | | |
| | | |
| | | |
| | | |
| | | |
| | | |

Table of contents

- 1. Scope
- 2. Environmental Requirement
- 3. Description And Application
- 4. Standard Operating Condition
- 5. Characteristics
- 6. Performance
- 7. Standard Test Condition
- 8. Recommended Stimulus
- 9. Reliability Tests
- 10. Caution For Use
- 11. Mechanical Drawing
- 12. Permitted force to vibrator
- 13. Package

Keywords: Linear Vibrator, 150hms, 6x12x2.8mm, Wire Contact, GP Compliant

NO. Issue: X1 Revision Date: 03/07/2017 Page: 3/11

1. Scope

This document contains required environmental, electrical, vibratory, mechanical, package and reliability test requirements.

2. Environmental Requirement

The vibration including all components and solder joints must be free from lead (Pb) and other banned or restricted substances according to customer's requirements.

3. Description And Application

This is a FPC contact vibrator which is applied with an AC signal (sine wave or square wave) around the resonant frequency. This device is recommended to be used for haptic feedback device, ex. Mobile phone.

4. Standard Operation Condition.

4.1 Rated voltage 2.0Vrms (square wave or sine wave)

4.2 Operating voltage range 0~2.1Vrms

4.3 Operating temperature range
-20°C to +70°C Ordinary humidity (No condensation of moisture)

4.4 Storage temperature range
0°C to +40°C Ordinary humidity at normal atmospheric pressure (No condensation of moisture)

5. Characteristics

5.1 Coil resistance 15±15%Ω

5.2 Rated current Max 135mA @ rated voltage

5.3 Insulation resistance Min 10MΩ @ 100VDC Between terminal and housing.

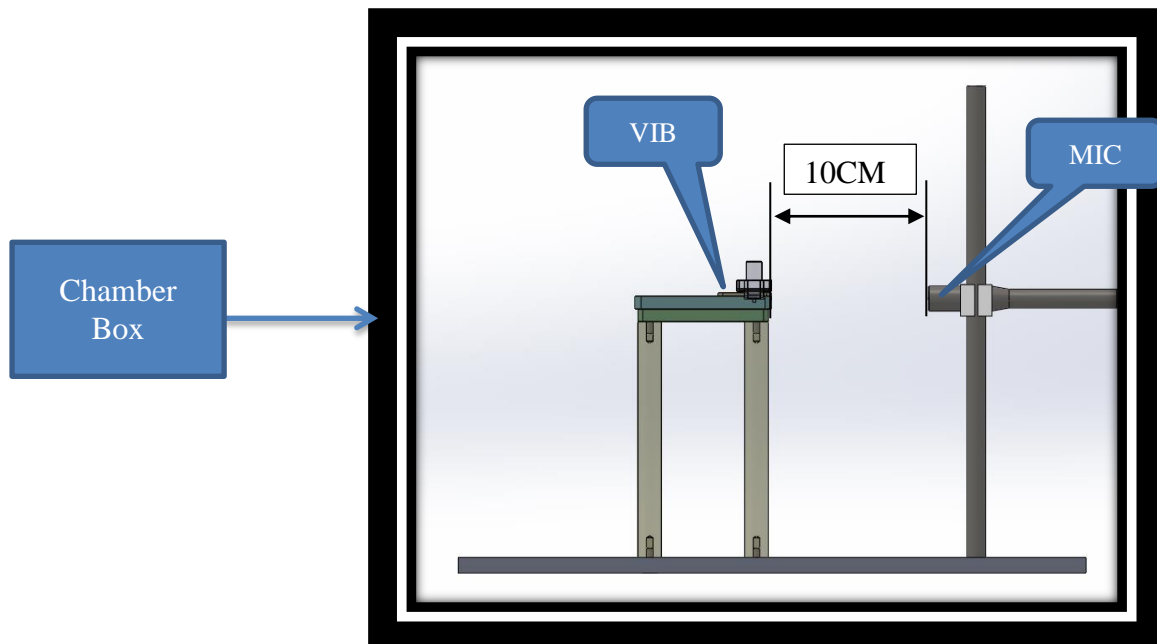
6. Performance

6.1 Acceleration Min 0.65 Grms at F0 @ 100g fixture in the middle
@ 2Vrms sine wave (Refer to standard test condition)

Keywords: Linear Vibrator, 150hms, 6x12x2.8mm, Wire Contact, GP Compliant

NO. Issue: X1 Revision Date: 03/07/2017 Page: 4/11

| | |
|------------------------|--|
| 6.2 Resonant frequency | 200±10 Hz 220-180hz sweep down(Refer to standard test condition) |
| 6.3 Rise time | 100ms Max (from 0 to 90% nominal acceleration) (Refer to standard test condition) |
| 6.4 Fall time | 120ms Max (free fall from 100% to 10% nominal acceleration) (Refer to standard test condition) |
| 6.5 Noise | ≤45 dBA @ 10 cm @ 100g test jig @ F0 @ 2Vrms, DRV2604 (10cm distance from microphone) |



Keywords: Linear Vibrator, 150hms, 6x12x2.8mm, Wire Contact, GP Compliant

NO. Issue: X1 Revision Date: 03/07/2017 Page: 5/11

7. Standard Test Condition

7.1 Climatic condition

The measurement at $25^{\circ}\text{C}\pm 3^{\circ}\text{C}$ & $65\%\text{RH}\pm 20\%\text{RH}$ is standard. If the judgment is not questionable, recognize measurement at 5°C to 35°C & relative humidity $45\%\text{RH}$ to $85\%\text{RH}$.

7.2 Input Frequency sine wave/F0
(input F0 from frequency response curve)

7.3 Input voltage 2Vrms

7.4 Suspending method

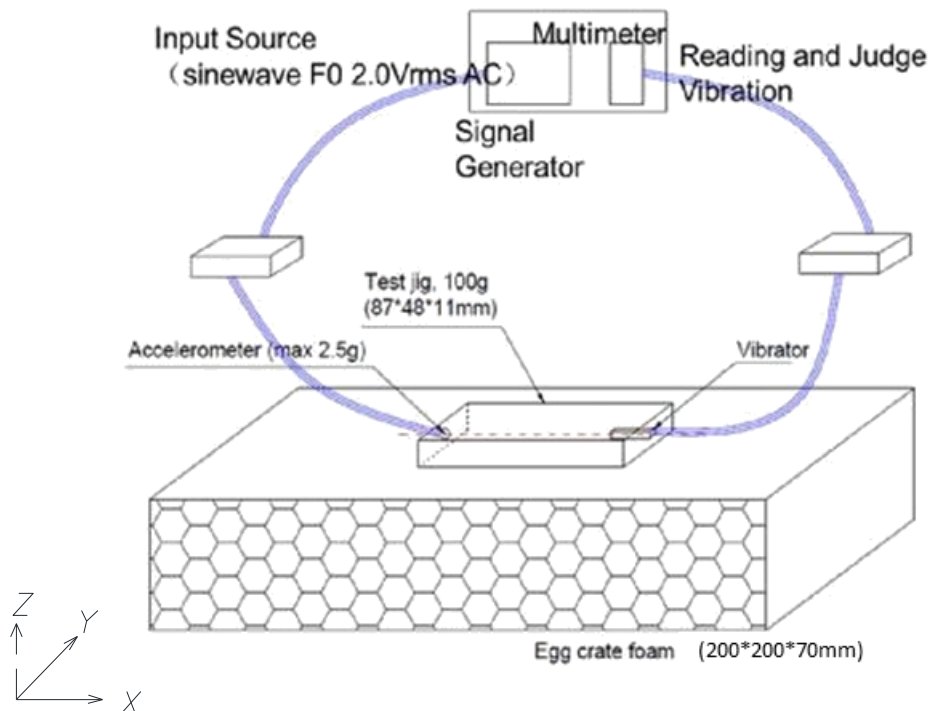


Fig 2. test method

1. Placed a 100g test jig in the center of the soft foam, 87*48 mm plane must be located on foam.

2. Attached the vibrator and accelerometer to the x axis face of the block, both vibrate and measure direction should be mounted to x axis.

Keywords: Linear Vibrator, 150hms, 6x12x2.8mm, Wire Contact, GP Compliant

NO. Issue: X1 Revision Date: 03/07/2017 Page: 6/11

7.5 Drawing of test jig

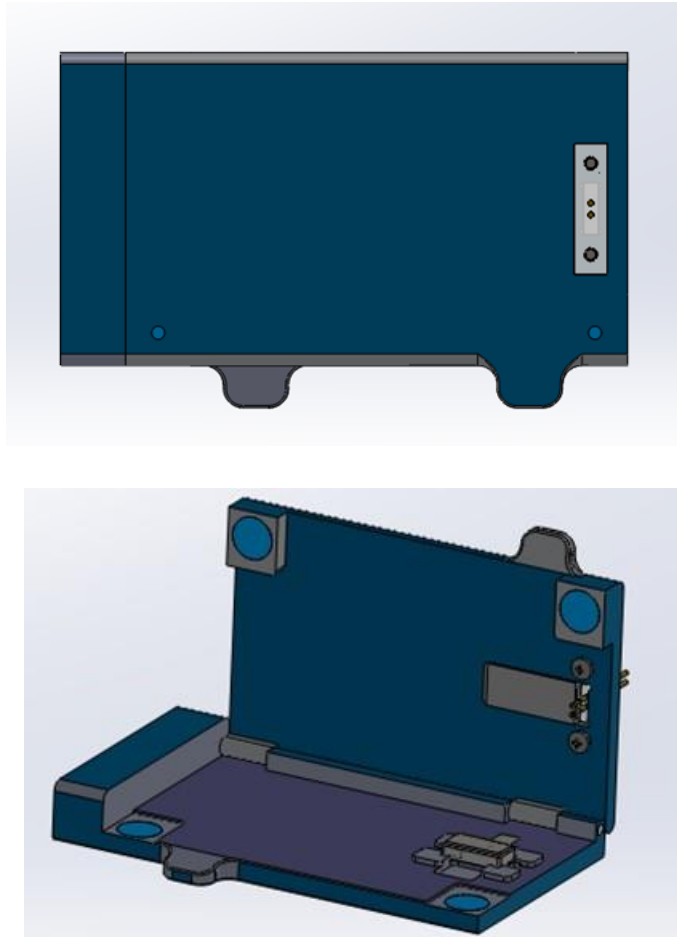


Fig 3. test jig

Caution:

Be sure the attached both accelerometer and vibrator tightly to get precise test result. Or may get wrong acceleration data or noise.

7.6 Measure method

7.6.1 Reading the vibration for 0.5~2.0S.

7.6.2 For more precision measurement, average of 3 times measure data is required.

Keywords: Linear Vibrator, 150ohms, 6x12x2.8mm, Wire Contact, GP Compliant

NO. Issue: X1 Revision Date: 03/07/2017 Page: 7/11

8. Recommended Stimulus

Auto resonance driver is strongly recommended. Vibration can be adjusted by changing voltage.

9. Reliability Tests

Immediately after reliability test, the samples shall be stored under climatic conditions such as normally exist in ordinary rooms or laboratories. Unless otherwise noted, the recovery period shall be 4 hours at least before performance testing.

After reliability test, all samples must be meet the requirements as follow:

- 1 Resonant frequency: within $\pm 5\%$ of original
- 2 Noise: Max 55dBA
- 3 Acceleration: Min 0.50Grms
- 4 Rise time: Max 150ms
- 5 Fall time: Max 170ms

9.1 Free Fall Test: 10 samples

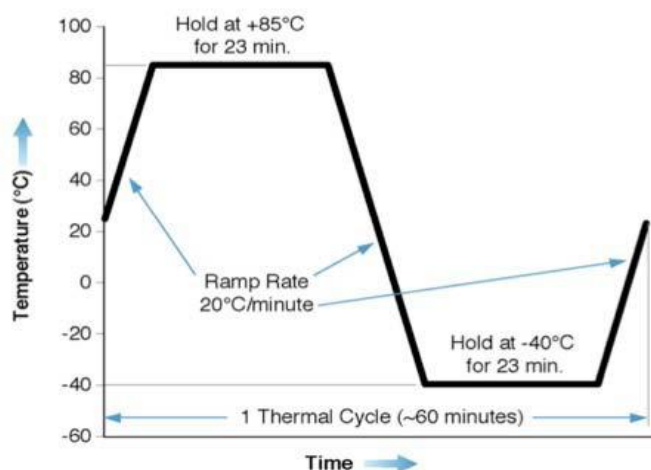
The samples should be mounted in a 150 gram fixture, drop to the granite floor, 1.5 meters 18 times, 1 time every face and 1 time every edge;

9.2 Life Test: 20 samples

sample should be operated on standard condition(100g jig on foam @ 2Vrms sinewave F0) ON(2s)/OFF(1S) for 120hours

9.3 Temperature shock: 10 samples

-40°C/+85°C in each of 60min, total 10 cycles. 7 min transition time;



9.4 High temperature storage: 10 samples

+85°C, 168 hours

9.5 Low temperature storage: 10 samples

-40°C, 168 hours

9.6 Salt Mist Test: 10 samples

+35°C, 5%Nacl, 24 hours

Keywords: Linear Vibrator, 150hms, 6x12x2.8mm, Wire Contact, GP Compliant

NO. Issue: X1 Revision Date: 03/07/2017 Page: 8/11

10. Caution for use

10.1 Do not press vibrator with force more than 12N. It may lead to transformation of appearance or performance.

10.2 Do not use vibrator in follow environment. It may cause decline of performance or damage to vibrator.

10.2.1 Do not keep vibrator at high humidity or high temperature for extended too long time.

10.2.2 Do not use vibrator near magnetic device or magnetizer.

10.2.3 Do not use vibrator near erosion gas.

10.2.4 Do not drop vibrator into liquid.

10.3 There is strong magnetic on the surface of vibrator. Do not set components sensitive to magnetic within 3 mm in Z-direction of vibrator surface.

10.4 To use vibrator reliable, vibrator should be fixed to house firmly in vibrate direction. Or it may be cause bad noise.

10.5 Soft material (such as poron or foam etc.) is not adequate to fix vibrator in vibration direction. it can only be used as a auxiliary to reinforce reliability. Or it may be cause lower vibration.

Keywords: Linear Vibrator, 150hms, 6x12x2.8mm, Wire Contact, GP Compliant

NO. Issue: X1 Revision Date: 03/07/2017 Page: 9/11

11. Mechanical Drawing:

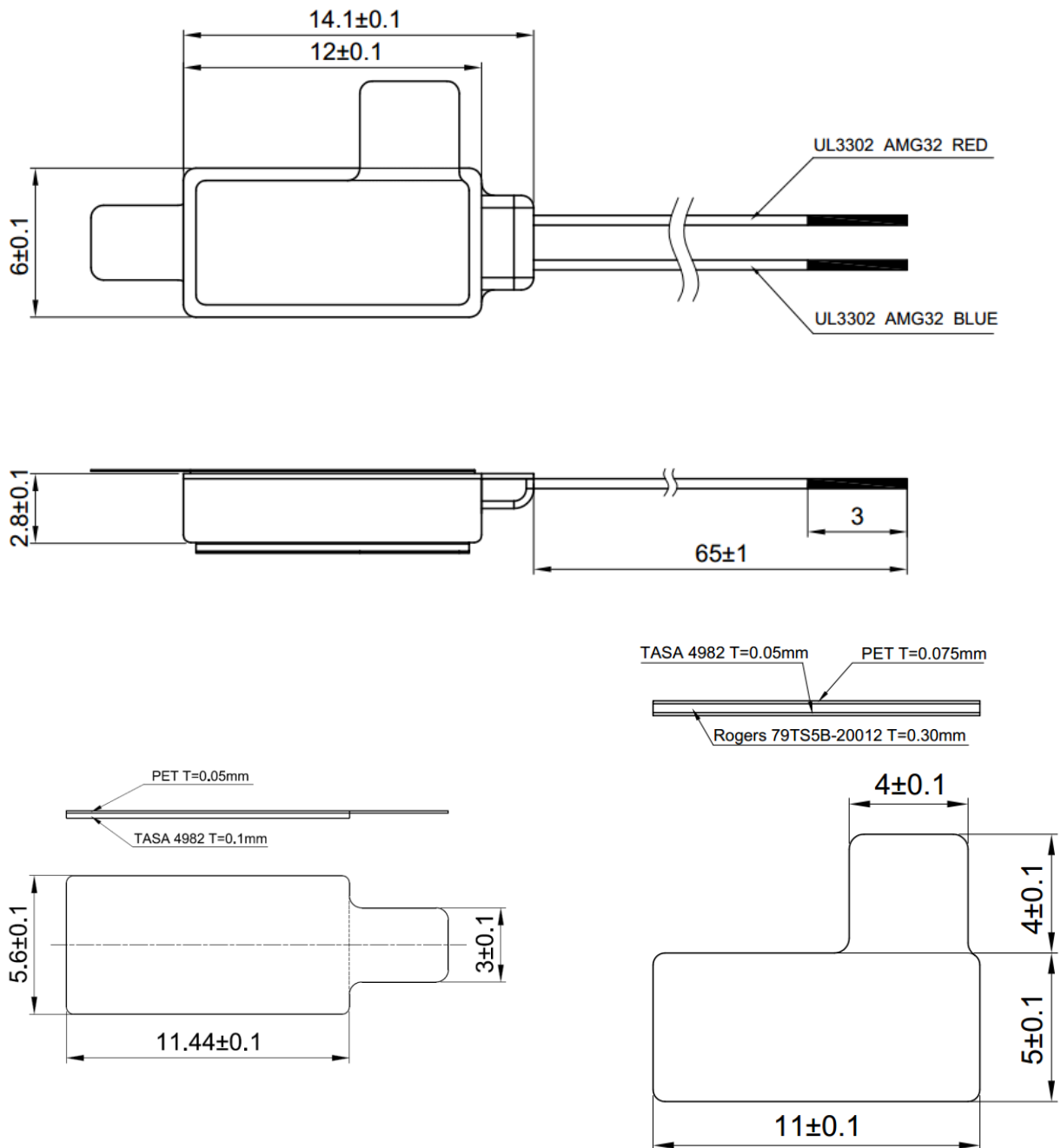
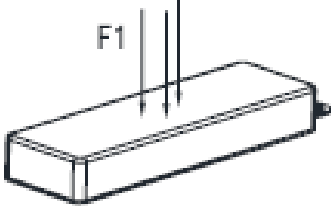
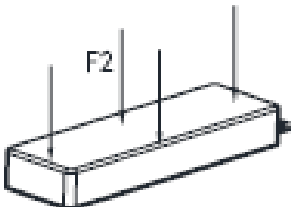
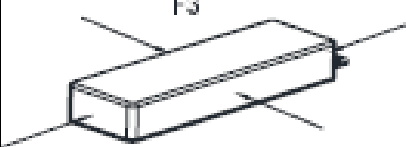
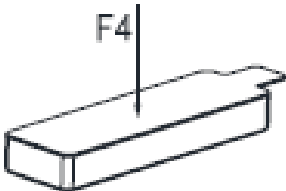
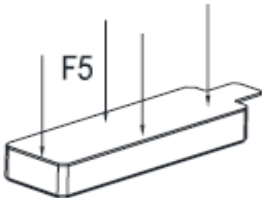



Fig 4. mechanical layout

Keywords: Linear Vibrator, 150ohms, 6x12x2.8mm, Wire Contact, GP Compliant

NO. Issue: X1 Revision Date: 03/07/2017 Page: 10/11

12. Permitted force to vibrator

| No. | Meaning of the force | Magnitude(N) |
|-----|---|--------------|
| 1 |  | Max.12 |
| 2 |  | Max.12 |
| 3 |  | Max.5 |
| 4 |  | Max.12 |
| 5 |  | Max.12 |
| 6 |  | Max.15N |

Keywords: Linear Vibrator, 150hms, 6x12x2.8mm, Wire Contact, GP Compliant

NO.

Issue:

X1

Revision Date: 03/07/2017

Page:11/11

13. Package

tray, outer size L × W (mm) : 162 × 250

