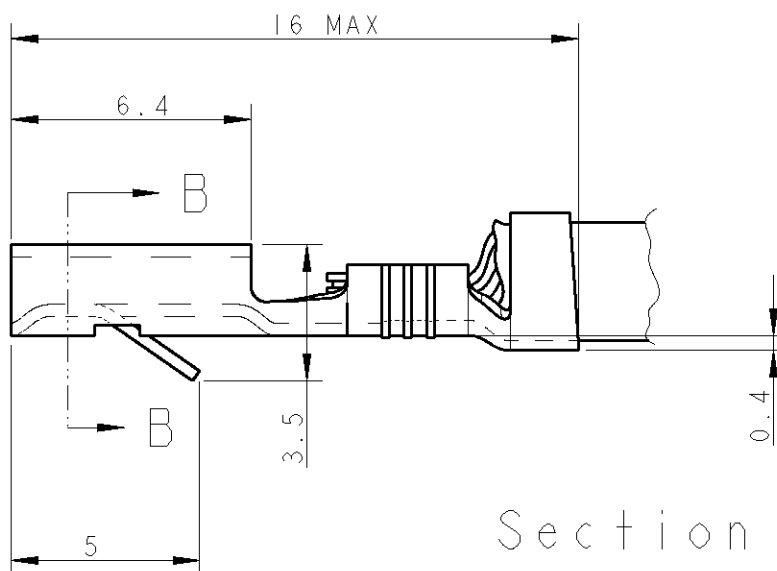
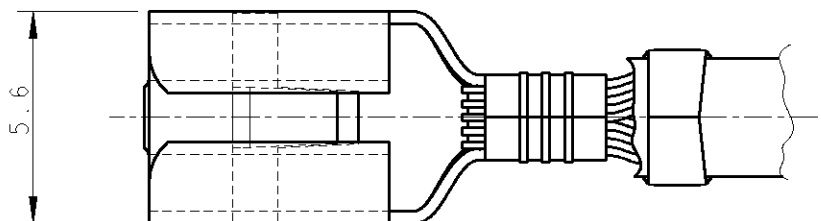


| LOC | DIST | REVISIONS | | | | | |
|-----|------|-----------|-----|------------------------------------|-----------|-----|------|
| | | P | LTR | DESCRIPTION | DATE | DWN | APVD |
| | | | M | REDRAWN ET00-0107-04 | 06MAY2004 | AV | CT |
| | | | M1 | CHANGED Q.TY PER REEL ET00-0050-05 | 21APR2005 | AV | GT |
| | | | M2 | REVISED PER ECO-10-000445 | 09JAN10 | KK | AEG |

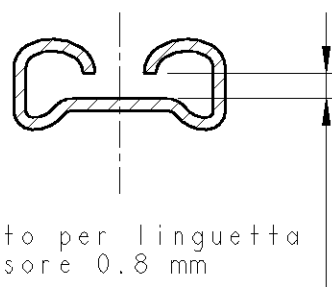


Section B-B

- ⚠ OTTONE P/N 280919-1
BRASS P/N ~~280919-1~~ **OBSELETE** ⚠
- OTTONE STAGNATO 280919-2
- TIN BRASS P/N 280919-2
- BRONZO FOSF. STAGNATO 280919-4
- TIN PHOS.BRZ. P/N 280919-4

WIRE RANGE 0.5-1.5 mm²
INSULATION 2.3-3.3 mm DIA.

- ⚠ **OBSELETE PARTS: OBSELETE CIS**
STREAMLINING PER D.RENAUD/D.SINISI



Adatto per linguetta
spessore 0.8 mm

2004

RELEASED FOR PUBLICATION

THIS DRAWING IS UNPUBLISHED.

© COPYRIGHT 2004 BY TYCO ELECTRONICS CORPORATION. ALL RIGHTS RESERVED.

| | | | | | | | |
|--|------------------|------------|-----------|---|-----------|------------|---------------|
| DIMENSIONS: mm | DWN | A. Vecchia | 06MAY2004 | MATERIAL | ⚠ | FINISH | - |
| | CHK | C. Tartari | 06MAY2004 | tyco Electronics AMP Italia S.p.A. 10093 Collegno TO | | | |
| TOLERANCES UNLESS OTHERWISE SPECIFIED: | APVD | C. Tartari | 06MAY2004 | | | | |
| 0 PLC ±0.4 | PRODUCT SPEC | 108-20020 | | NAME | | | |
| 1 PLC ± | APPLICATION SPEC | - | | CONTATTO FASTIN-ON FEMMINA SERIE 4.8 mm 4.8 mm SERIES FASTIN-ON RECEPTACLE | | | |
| 2 PLC ± | WEIGHT | - | | SIZE | CAGE CODE | DRAWING NO | RESTRICTED TO |
| 3 PLC ± | CUSTOMER DRAWING | - | | A4 | 00779 | ©=280919 | - |
| 4 PLC ± | SCALE | 5:1 | | SHEET | 1 | OF | 1 |
| ANGLES ±1° | REV | M2 | | | | | |