

CODE	DIM "M" MATING LENGTH	CONTACT TYPE
PC	[N/A]	POWER
G	[6.86]	SIGNAL
K	[5.59]	SIGNAL

spec ref	See Notes		dr	Guang, Shi	2012/02/28	projection 	MM ←→	size	A4	scale	1:1
tolerance std	TOLERANCES UNLESS OTHERWISE SPECIFIED		eng	Ruan MT	2012/08/29			ecn no	-		
See Notes			chr	-	-			rel level	Released		
surface	linear	0.X ±0.50 0.XX ±0.25 0.XXX ±0.10	appr	Pei-Ming Zheng	2012/08/29	product family	PwrBlade		rev	A	
	angular	0° ±2°	www.fci.com		cat. no.	Product - Customer Drw		dwg no	51710-051		
								sheet 1 of 4			

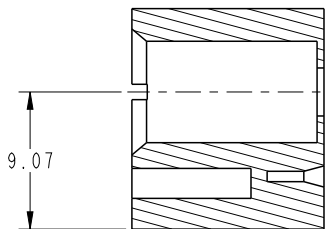
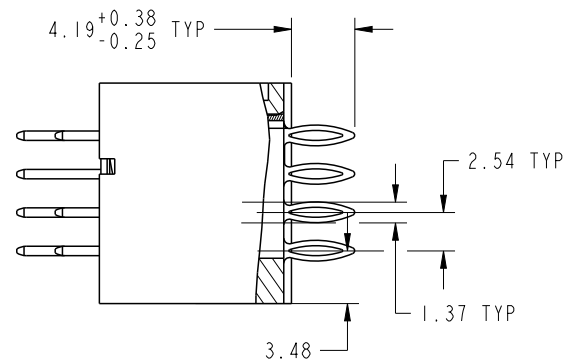
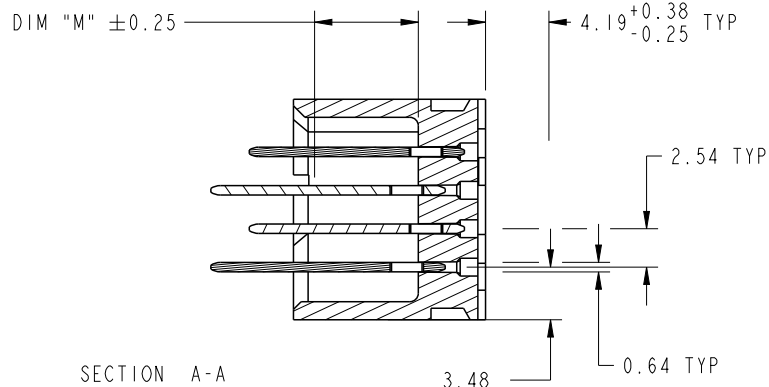


Copyright FCI.

PrdE File - REV C - 2009-06-09

PRODUCT NUMBER

51710-051 --
NOTE 3



dr	Guang, Shi	2012/02/28	projection 	MM 	size	A4	scale	1:1	
eng	Ruan MT	2012/08/29			ecn no	-			
chr	-	-			rel level	Released			
appr	Pei-Ming Zheng	2012/08/29	product family	PwrBlade					
		title	10P + 44S + 10P VERTICAL PRESS FIT HEADER		dwg no	51710-051		rev	A
www.fci.com		cat. no.	-	Product - Customer Drw			sheet 2 of 4		

PRODUCT NUMBER

51710-051 --
NOTE 3

A

B

C

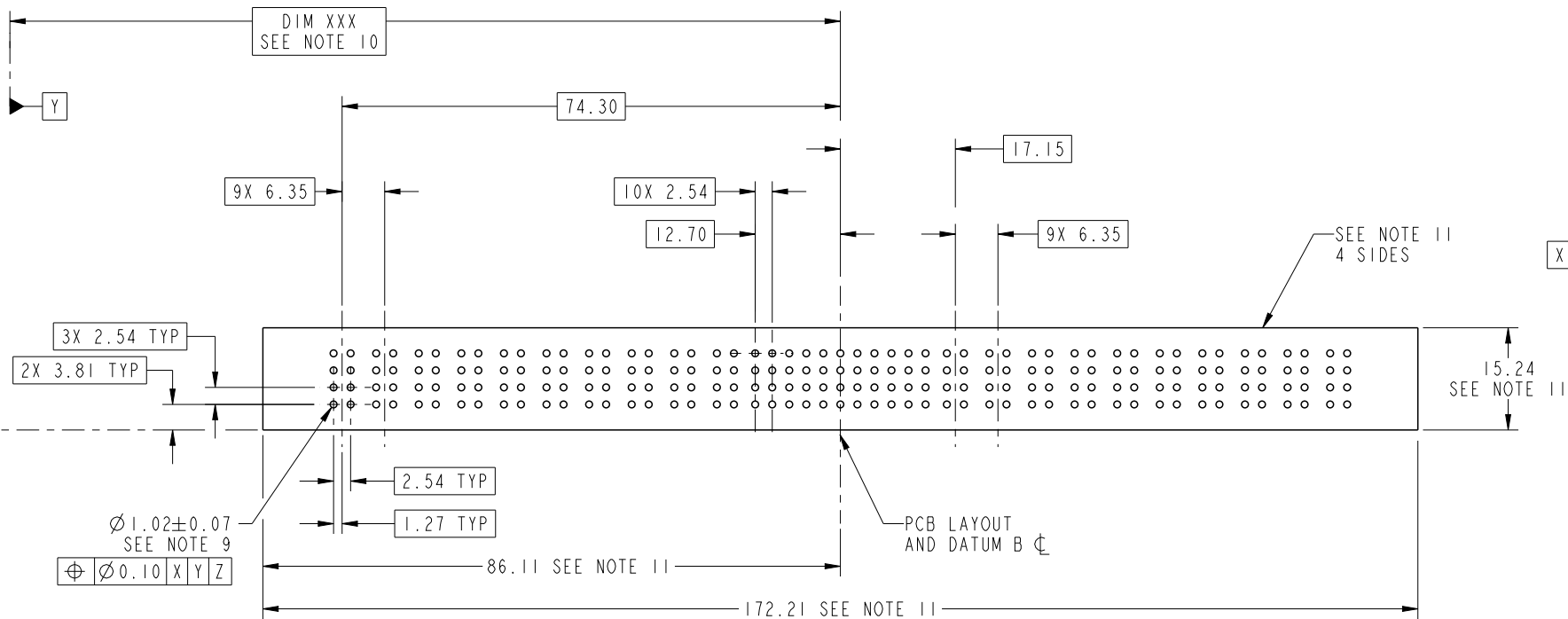
D

A

B

C

D



RECOMMENDED PCB LAYOUT

dr	Guang, Shi	2012/02/28	projection 	MM 	size	A4	scale	1:1	
eng	Ruan MT	2012/08/29			ecn no	-			
chr	-	-			rel level	Released			
appr	Pei-Ming Zheng	2012/08/29	product family	PwrBlade					
		title	10P + 44S + 10P VERTICAL PRESS FIT HEADER		dwg no	51710-051		rev	A
www.fci.com		cat. no.	-		Product - Customer Drw			sheet 3 of 4	



Copyright FCI.

PRODUCT NUMBER

51710-051--
NOTE 3

NOTES:

1. DIMENSIONS AND TOLERANCES ARE IN ACCORDANCE WITH ASME Y14.5M, 1994 UNLESS OTHERWISE SPECIFIED.

CONNECTOR NOTES:

- ② HOUSING MATERIAL: UL 94 V-0 GLASS FILLED HIGH-TEMP THERMOPLASTIC
POWER CONTACT MATERIAL: COPPER ALLOY
SIGNAL PIN MATERIAL: COPPER ALLOY
 - 3. SEE ITEM 3 & 4 IN PRINT 10064183 FOR PLATING SPEC OF 51710-051 AND 51710-051LF RESPECTIVELY.
 - ④ MANUFACTURER'S NAME, DATE CODE AND OPTIONAL P/N TO APPEAR ON THIS SURFACE. THE P/N CAN BE OMITTED IF THERE IS NOT ENOUGH SPACE ON THIS SURFACE.
 - 5. PRODUCT SPECIFICATION GS-12-149.
APPLICATION SPECIFICATION BUS-20-067.
 - 6. PACKAGED IN TRAYS.
- PCB NOTES:
- 7. ALL HOLE DIAMETERS ARE FINISHED HOLE SIZE.
 - 8. MOUNTING HOLES, WHERE APPLICABLE, ARE UNPLATED.

⑨ $\varnothing 1.151 \pm 0.025$ DRILLED HOLES PLATED WITH 0.008 MIN SnPb OR Sn OVER .001 [0.03] TO 0.08 Cu PLATING TO ACHIEVE $\varnothing 1.02 \pm 0.07$ HOLE.

⑩ "DIM XXX" TO BE DETERMINED BY THE CUSTOMER.

⑪ CONNECTOR KEEP-OUT ZONE.

12. FOR PRESS FIT APPLICATION USE FCI CAM TOOL 430169-XXX.

dr	Guang, Shi	2012/02/28	projection 	MM 	size	A4	scale	1:1			
eng	Ruan MT	2012/08/29			ecn no	-					
chr	-	-			product family	PwrBlade	rel level	Released			
appr	Pei-Ming Zheng	2012/08/29			title	10P + 44S + 10P		dwg no	51710-051	rev	A
www.fci.com		cat. no.	-	Product - Customer Draw			sheet 4 of 4				



Copyright FCI.