

molex SALES PACKAGING SPECIFICATION

LANGUAGE

JAPANESE
ENGLISH

1. 製品名称 / PRODUCT NAME : MICRO SIM CONN. BAR-PUSH TYPE DUAL HOOK ASSY
EMBOSSSED TAPE PACKAGING

製品番号 / PART NUMBER : 505020-0692

(** は極数を示す)

(** IS CIRCUITS SIZE)

2. 標準梱包数 / STANDARD PACKAGING QUANTITY

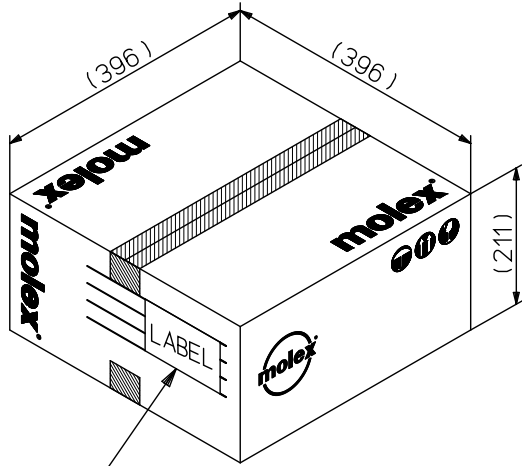
キャリア テープ幅 (mm) CARRIER TAPE WIDTH (mm)	1 リール中の製品数 QTY. PER REEL	外装カートン SHIPPING CARTON	
		梱包リール数 NUMBER OF REELS	製品数 QUANTITY
32	1,200	4 (2)	4,800 (2,400)

注 : () 内の数は、少量出荷用カートンを用いた場合の梱包数。

NOTE: "()" NUMBERS ARE APPLICABLE FOR SMALL LOT. SHIPMENT.

REV.	A								
SHEET	1~2								
REVISE ON PC ONLY				TITLE:					
A	RELEASED J2015-0466 2014/10/02 T.NAKAGAWA			505020 梱包仕様書 SALES PACKAGING SPEC. FOR 505020					
	THIS DOCUMENT CONTAINS INFORMATION THAT IS PROPRIETARY TO MOLEX INC. AND SHOULD NOT BE USED WITHOUT WRITTEN PERMISSION								
REV.	DESCRIPTION								
DESIGN CONTROL J		STATUS		WRITTEN BY: T.NAKAGAWA	CHECKED BY: T.HARUYAMA	APPROVED BY: H.HIRATA	DATE: YR/MO/DAY 2014/10/02		
DOCUMENT NUMBER SPK-505020-002							FILE NAME SPK505020002.docx	SHEET 1 OF 2	
EN-037(2013-04 rev.1)									

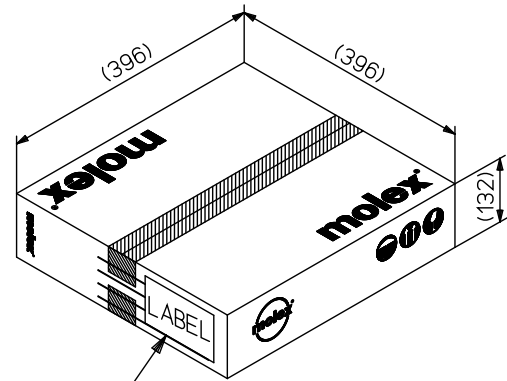
3. カートン外形参考寸法 / CARTON OUTER DIMENSIONS (REFERENCE PURPOSE ONLY) 単位 / UNIT: mm



カートンラベル
CARTON LABEL

(製品型番, 数量, ロットNO. 表示)
INDICATION OF PART No., QUANTITY, LOT No.

標準カートン
STANDARD CARTON



カートンラベル
CARTON LABEL

(製品型番, 数量, ロットNO. 表示)
INDICATION OF PART No., QUANTITY, LOT No.

少量出荷用カートン
FOR SMALL LOT SHIPMENT

REVISE ON PC ONLY		TITLE:	
A	SEE SHEET 1 OF 2	505020 梱包仕様書 SALES PACKAGING SPEC. FOR 505020	
	REV. DESCRIPTION	THIS DOCUMENT CONTAINS INFORMATION THAT IS PROPRIETARY TO MOLEX INC. AND SHOULD NOT BE USED WITHOUT WRITTEN PERMISSION	
DOCUMENT NUMBER SPK-505020-002		FILE NAME SPK505020002.docx	SHEET 2 OF 2
EN-037(2013-04 rev.1)			