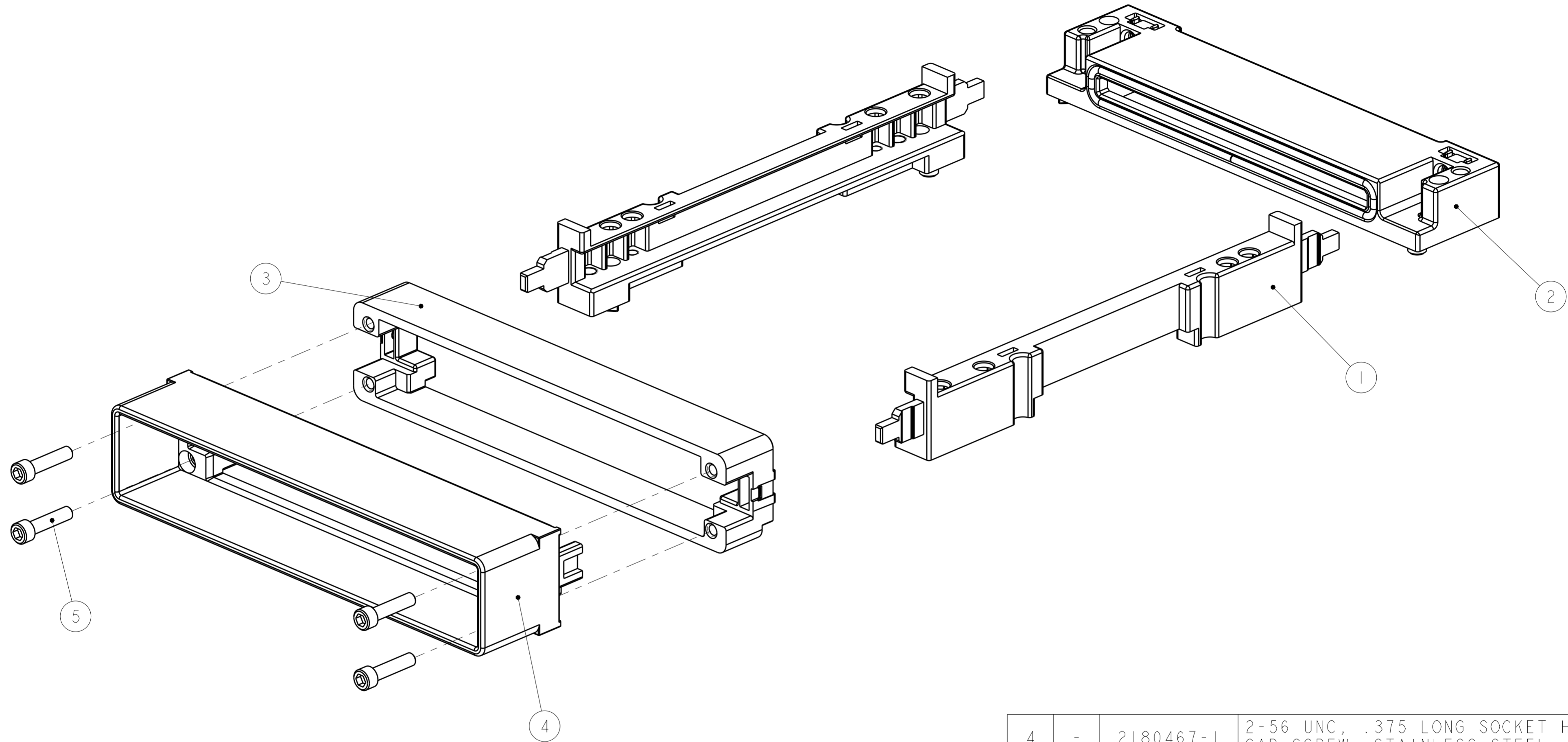


THIS DRAWING IS UNPUBLISHED. RELEASED FOR PUBLICATION 20
 © COPYRIGHT 20 BY - ALL RIGHTS RESERVED.

LOC	DIST	REVISIONS					
GP	00	P	LTR	DESCRIPTION	DATE	DWN	APVD
		B		REVISED PER ECO-12-021786	04MAR2013	CJV	MRS



4	-	2180467-1	2-56 UNC, .375 LONG SOCKET HEAD CAP SCREW, STAINLESS STEEL	5
1	1	2057626-1	EXTERNAL BRACKET ASSEMBLY	4
1	1	2057930-1	BACKER PLATE ASSEMBLY	3
1	1	2057631-1	CONNECTOR COVER ASSEMBLY	2
2	2	2057592-2	GUIDE RAIL	1
-2	-1	PART NUMBER	DESCRIPTION	ITEM NO

THIS DRAWING IS A CONTROLLED DOCUMENT. DIMENSIONING AND TOLERANCING PER ASME Y14.5M-2009		DWN M. SCHMITT 3DEC2010	STE TE Connectivity	
DIMENSIONS: mm		CHK M. SCHMITT 3DEC2010		
TOLERANCES UNLESS OTHERWISE SPECIFIED:		APVD B. WERTZ 3DEC2010	NAME HARDWARE KIT, CFP, NO HEATSINK	
0 PLC ±		PRODUCT SPEC 108-2399	SIZE CAGE CODE DRAWING NO RESTRICTED TO	
1 PLC ±		APPLICATION SPEC 114-13263	A200779 C-2169666	
2 PLC ±		WEIGHT -	SCALE 2:1 SHEET 1 OF 1 REV B	
3 PLC ±		CUSTOMER DRAWING		
4 PLC ±				
ANGLES ±				
FINISH				