

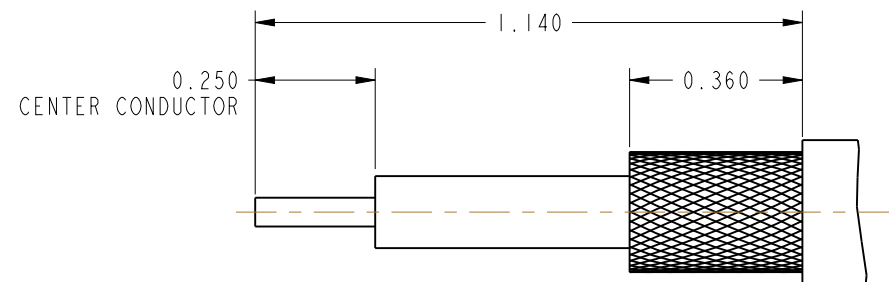
NOTES:

1. MATERIALS AND FINISHES:  
 BODY & COUPLIG NUT - BRASS, NICKEL PLATING  
 CONTACT - BRASS, NICKEL PLATING  
 INSERT - LCP  
 FERRULE - COPPER, SILVER PLATING
2. MECHANICAL:  
 A. DURABILITY: 500 CYCLES MIN.  
 B. TEMPERATURE RANGE: -65°C TO +165°C
3. PACKAGING:  
 A. QUANTITY: SINGLE PACK  
 B. MARKING: BAG TO BE MARKED  
 "AMPHENOL RF, 83-58SP, AND DATE CODE"
4. CABLE ASSEMBLY INSTRUCTIONS:  
 A. TRIM CABLE AS SHOWN.  
 B. SLIDE FERRULE ONTO THE CABLE.  
 C. INSERT CABLE INTO CONNECTOR.  
 D. SOLDER CONTACT TO CABLE.  
 E. CRIMP FERRULE WITH AMPHENOL TOOL 227-944 AND DIE SET  
 227-1221-11, CAVITY 'A' (0.213" HEX).
5. \* SHOWS CABLE ENTRY DIMENSIONS.

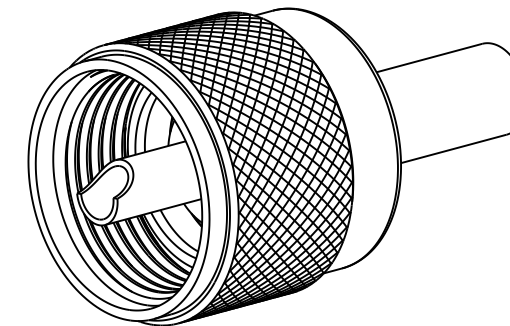
THIRD ANGLE PROJ.

REVISIONS

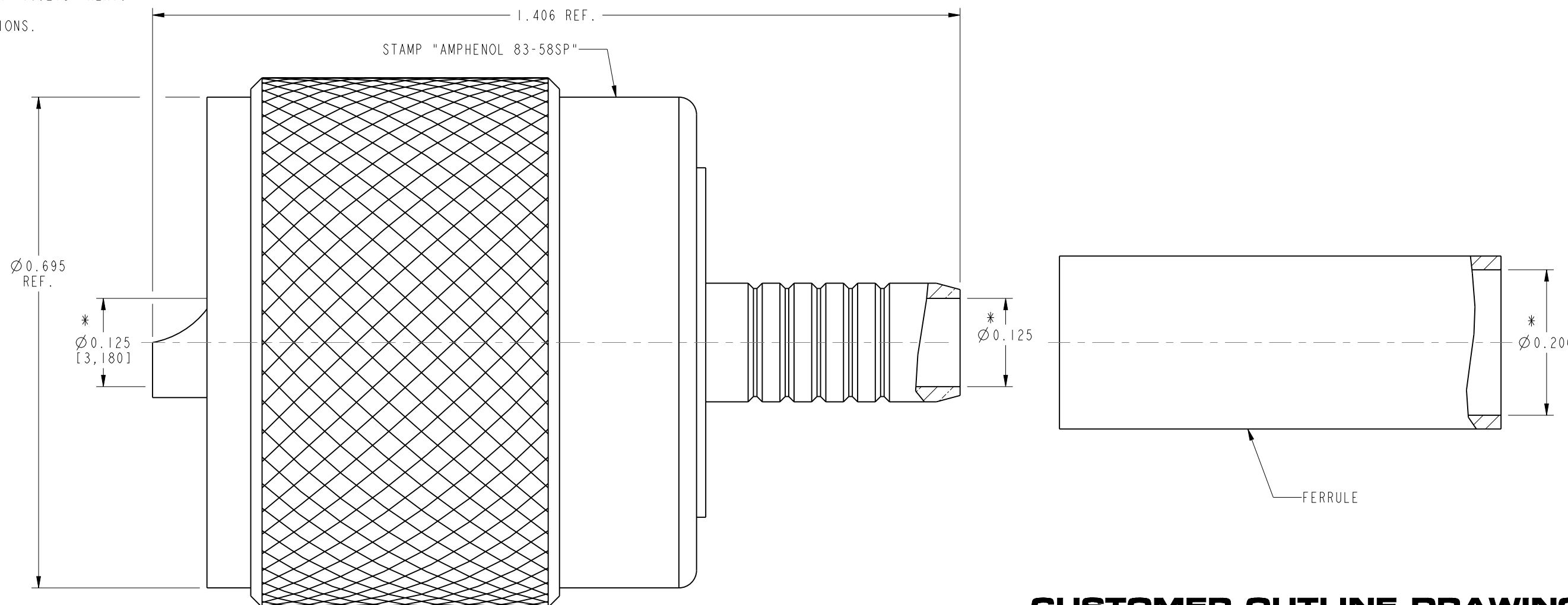
REV	DESCRIPTION	DATE	ECO	APPR
--	RELEASE TO MFG.	--	--	--
F	REDRAWN IN PRO-E & COD ADDED	1/21/14	49831	KR
G	SHEET 1 BOM REVISION	3/20/15	50386	JN



**RECOMMENDED CABLE STRIPPING DIMENSIONS**



SCALE 2.000



**CUSTOMER OUTLINE DRAWING**

ALL OTHER SHEETS ARE FOR INTERNAL USE ONLY

UNLESS OTHERWISE SPECIFIED, DIMENSIONS ARE IN INCHES AND TOLERANCES ARE: 2 PLACE DECIMAL 3 PLACE DECIMAL ANGLES ±.015 (0,381 mm) ±.005 (0,127 mm) ± 1°	MATERIAL	DRAWN	DATE	TITLE "UHF" PLUG FOR RG 58C/U		Amphenol RF www.amphenolrf.com	
	SEE NOTES	KARTHIK R	10-Dec-13				
NOTICE - These drawings, specifications, or other data (1) are, and remain the property of Amphenol corp. (2) must be returned upon request; and (3) are confidential and not to be disclosed to any person other than those to whom they are given by Amphenol Corp., the furnishing of these drawings, specifications, or other data by Amphenol Corp., or to any other person to anyone for any purpose is not to be regarded by implication or otherwise in any manner licensing, granting rights to permitting such holder or any other person to manufacture, use or sell any product, process or design, patented or otherwise, that may in any way be related to or disclosed by said drawings, specifications, or other data.	REFERENCE	ENGINEER	DATE	SCALE: 6.2:1.0 SHEET 2 OF 2		DRAWING NO.83-58SP ITEM NO.83-58SP	
	EAR # DOR 312642 EIR 312249-51	K. CAPOZZI	12/10/13				
	CONFIGURATION LEVEL: In Work	APPROVED	DATE		DWG SIZE	REV	PART NO.83-58SP
FINISH	K. CAPOZZI	1/21/14		B	G		