

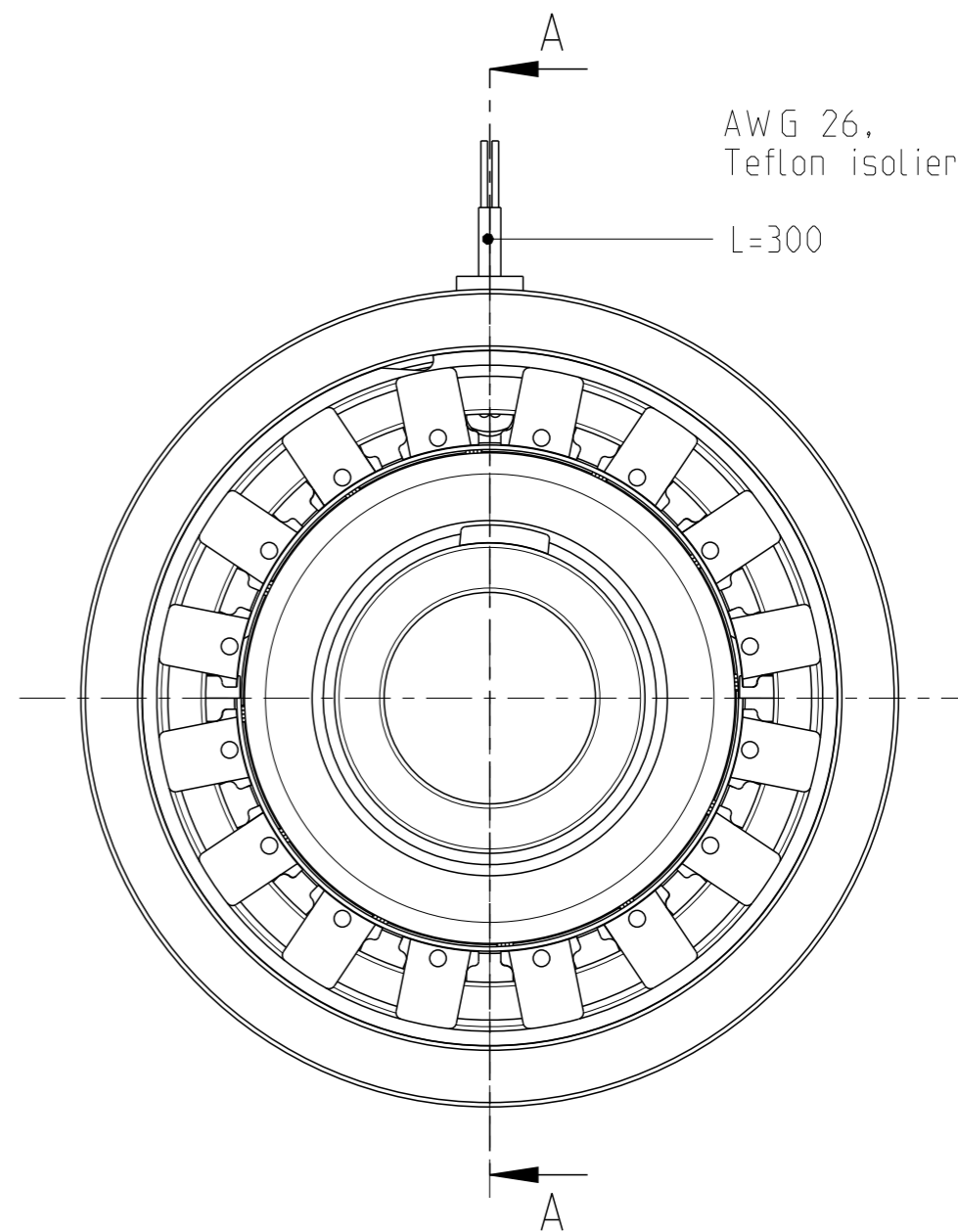
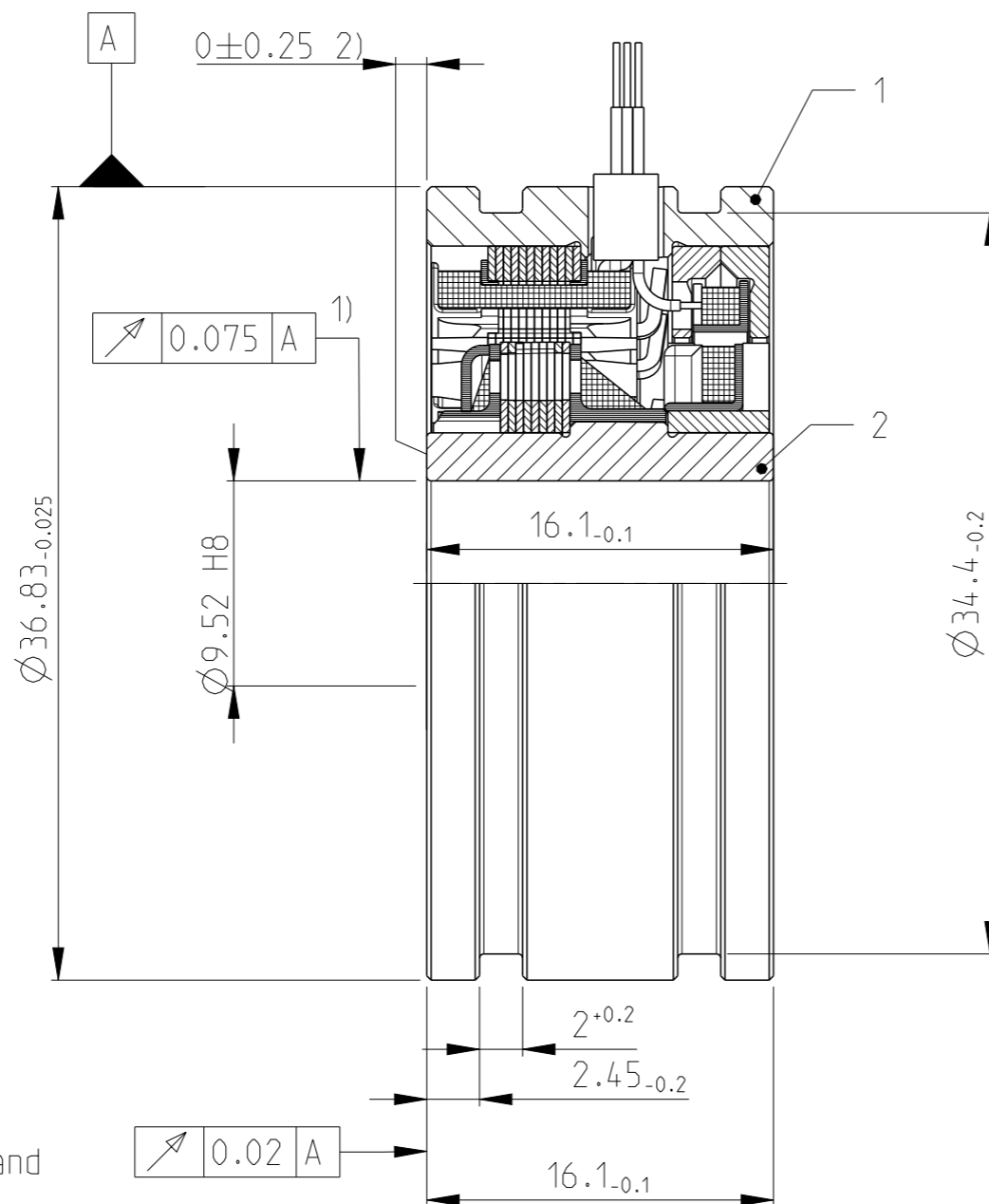
REVISIONS

P	LTR	DESCRIPTION	DATE	DWN	APVD
	C1	INITIAL RELEASE	01JULY2015	GCM	PL

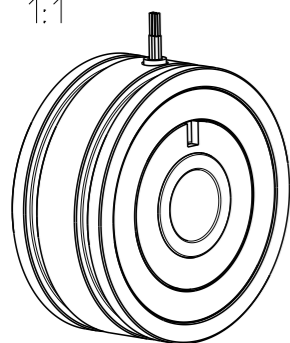
Signal	Aderfarbe
S1	rot
S2	gelb
S3	schwarz
S4	blau
R1	rot-weiss
R2	gelb-weiss

9.52 H8 +0.022
0

A-A



1:1



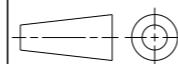
1) Gesamtschlag im eingebauten Zustand
2) Axialversatz

Ersetzt / replace V23401-D1001-B102

ITEM NO	PARTNUMBER	DESCRIPTION	ITEM NO
1	1-1824833-0	Rotor kpl. / Bauform B1 (12N)	2
1	1-1824762-0	Gehäuse kpl. / Bauform D1	1
1-1824903-0	PARTNUMBER	DESCRIPTION	ITEM NO
REVISION OF EACH ASSY NO. (WHEN BLANK, USE DWG. REVISION)			
PARTS LIST			

THIS DRAWING IS A CONTROLLED DOCUMENT.

DIMENSIONS:
mm



MATERIAL

TOLERANCES UNLESS OTHERWISE SPECIFIED:

0 PLC	±
1 PLC	±
2 PLC	±
3 PLC	±
4 PLC	±
ANGLES	±1°
FINISH	-

DWN 01JULY2015

GANESH C M

CHK 01JULY2015

P. LERCHENFELD

APVD 01JULY2015

P. LERCHENFELD

PRODUCT SPEC

APPLICATION SPEC

WEIGHT -

Customer Drawing



TE Connectivity

NAME
Massbild Hohlwellendrehmelder Gr.15
Dimensional Drawing Resolver Sz.15
V23401-D1001-B102

SIZE CAGE CODE DRAWING NO RESTRICTED TO

A3 00779 C=1393047-3 -

SCALE 3:1 SHEET 1 OF 1 REV C1