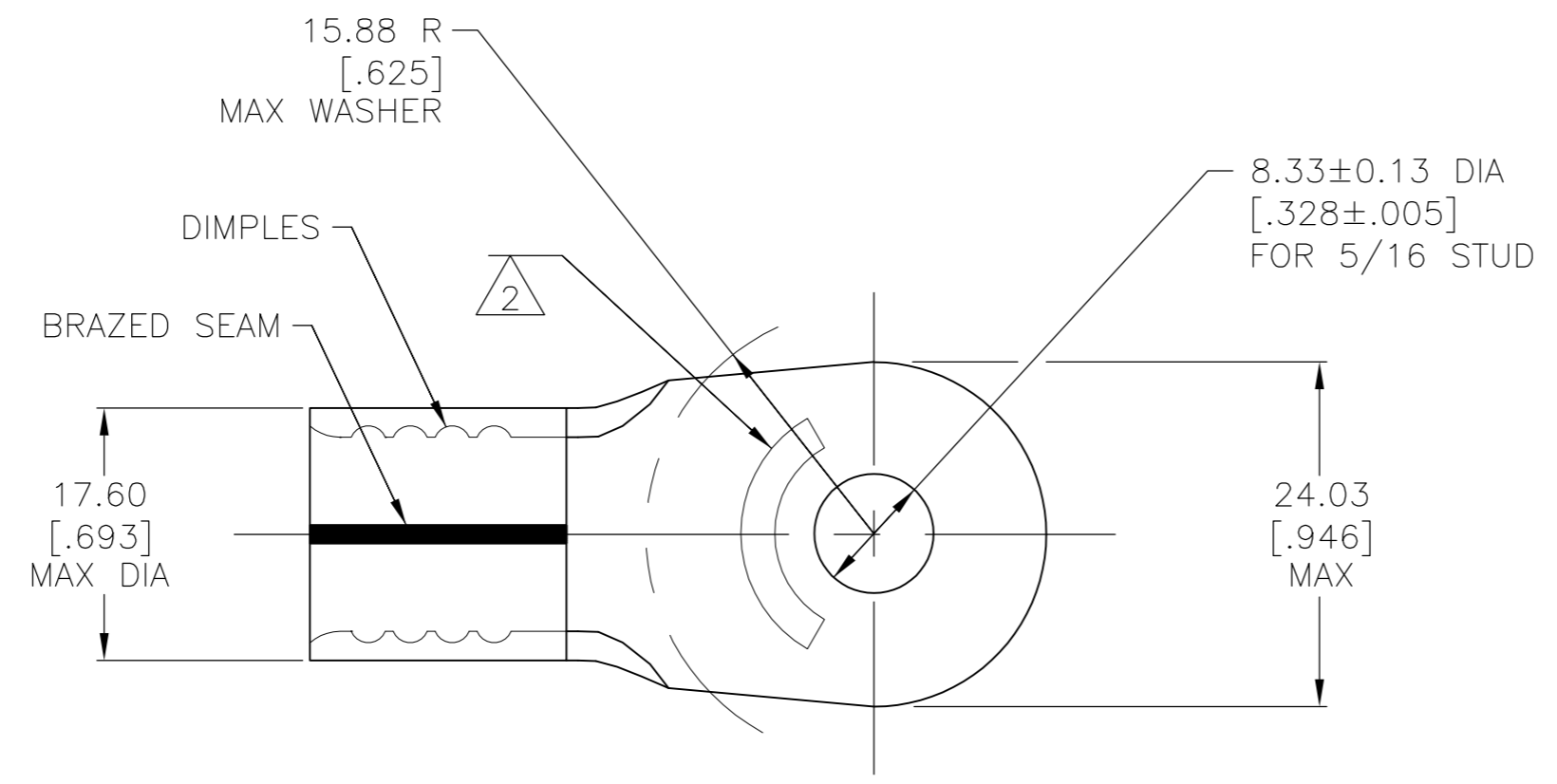


THIS DRAWING IS UNPUBLISHED. RELEASED FOR PUBLICATION
 © COPYRIGHT - By - ALL RIGHTS RESERVED.

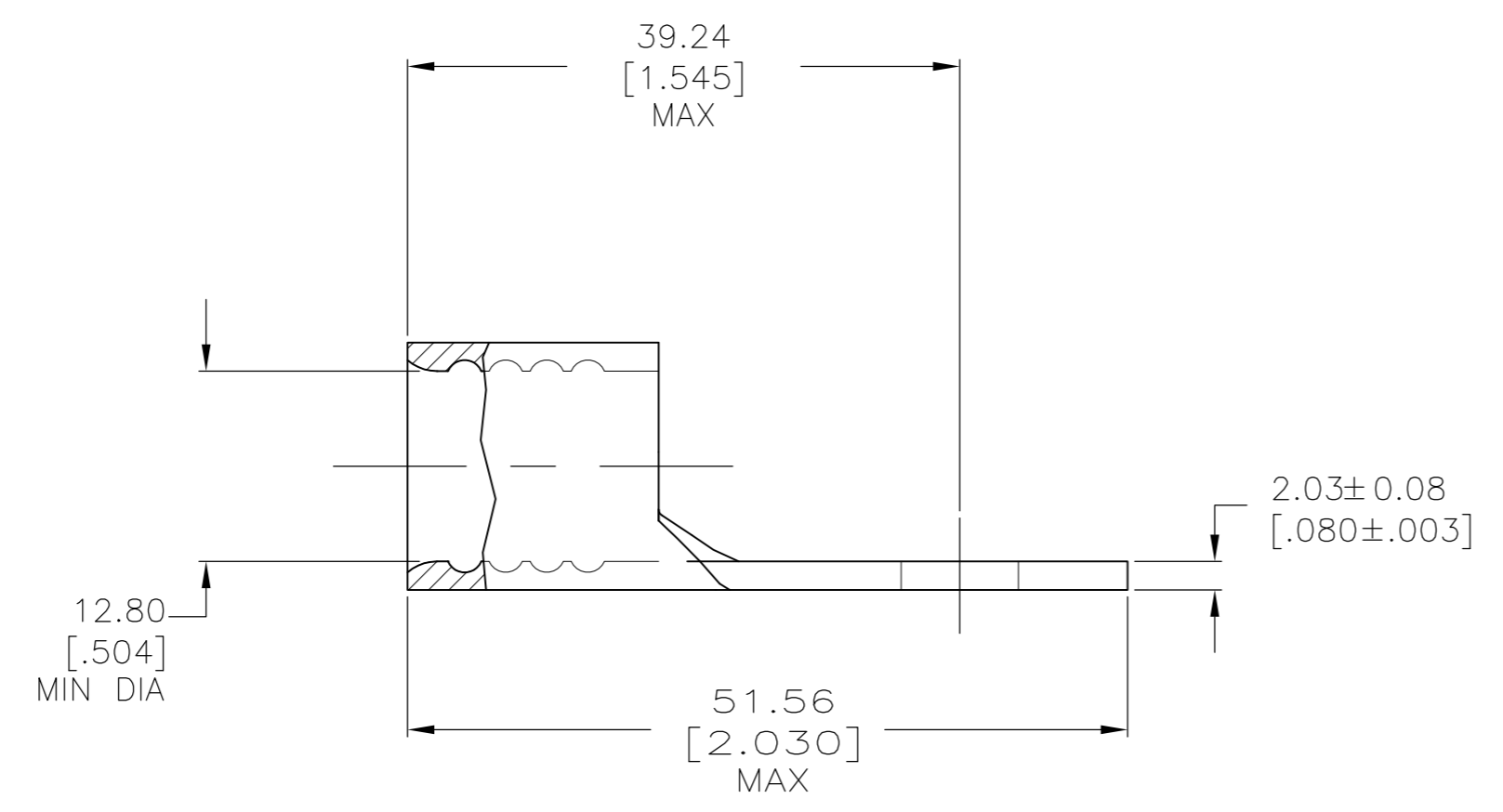
LOC		DIST		REVISIONS			
P	LTR	DESCRIPTION		DATE	DWN	APVD	
G	14	B2	REVISED PER ECO-12-013449	23JUL12	KH	DR	



- △1 NICKEL PLATE 0.0076[.00030] MIN THK EXT PER SAE AMS QQ-N-290
- △2 STAMP AMP 2/0 W* APPROX AS SHOWN

AMP
WIRE RANGE

2/0 AWG
SOLID OR STRANDED



132074-2
PART NO.

AMP INCORPORATED CUSTOMER SERVICE SYSTEMS		MAX RECOMMENDED OPERATING TEMPERATURE: 343°C[650°F] MAX	THIS DRAWING IS A CONTROLLED DOCUMENT.		DWN JR RUTH 25JAN10 CHK TOM MICHELUTTI 25JAN10 APVD TOM MICHELUTTI 25JAN10	TE Connectivity			
FOR ADDITIONAL PRODUCT INFORMATION OR COPIES OF DRAWINGS AND TECHNICAL DOCUMENTS 1-800-522-6752	PRODUCT INFORMATION CENTER 1-800-522-6752	VOLTAGE RATING: N/A	DIMENSIONS: mm [INCHES]	TOLERANCES UNLESS OTHERWISE SPECIFIED: 0 PLC ± - 1 PLC ± - 2 PLC ± 0.20[.008] 3 PLC ± - 4 PLC ± - ANGLES ± -	NAME TOM MICHELUTTI	TERMINAL, RING TONGUE, STRATO-THERM 2/0 AWG, 5/16			
FOR APPLICATION TOOLING INFORMATION 1-800-722-1111	TOOLING ASSISTANCE CENTER 1-800-722-1111	CIRCULAR MIL AREA: 60.6-76.3mm²[119,500-150,500] SOLID OR STRANDED		MATERIAL COPPER PER ASTM B-152 ANNEALED	APPLICATION SPEC -	SIZE A2	CAGE CODE 00779	DRAWING NO C=132074	RESTRICTED TO -
FOR ORDER ENTRY 1-800-526-5142	THIS DRAWING IS A CONTROLLED DOCUMENT FOR AMP INCORPORATED. IT IS SUBJECT TO CHANGE AND THE CONTROLLING ENGINEERING ORGANIZATION SHOULD BE CONTACTED FOR THE LATEST REVISION.		FINISH △1	WEIGHT -	CUSTOMER DRAWING	SCALE 2:1	SHEET 1 OF 1	REV B2	