

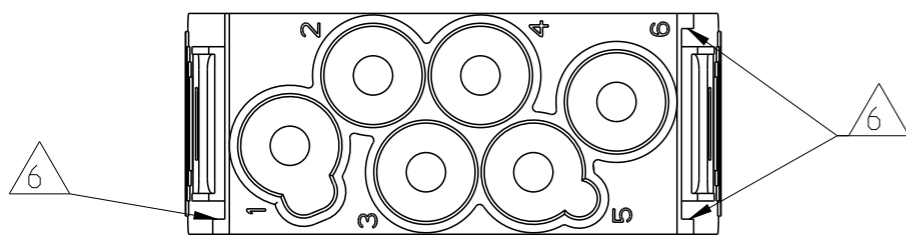
LOC
AI

DIST

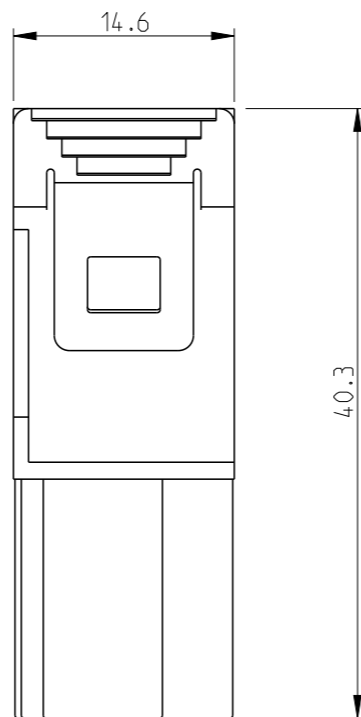
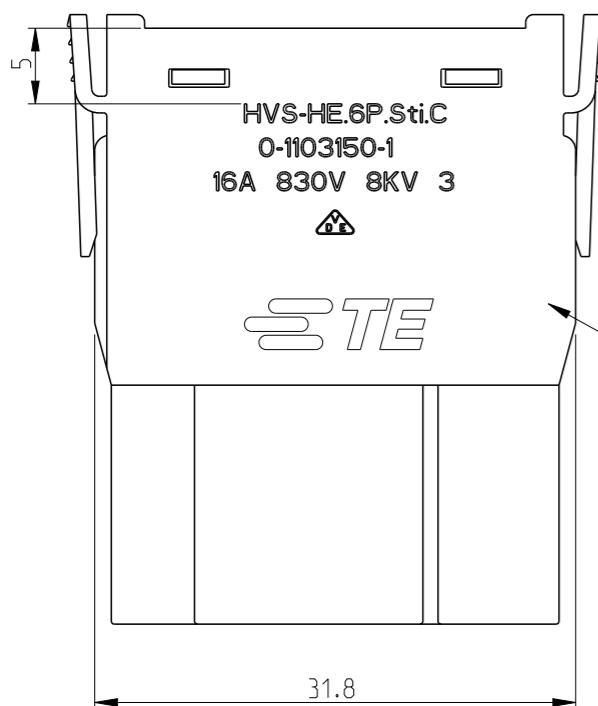
REVISIONS

P	LTR	DESCRIPTION	DATE	DWN	APVD
	C	ECR-15-007536	30MAY2015	GSK	JB

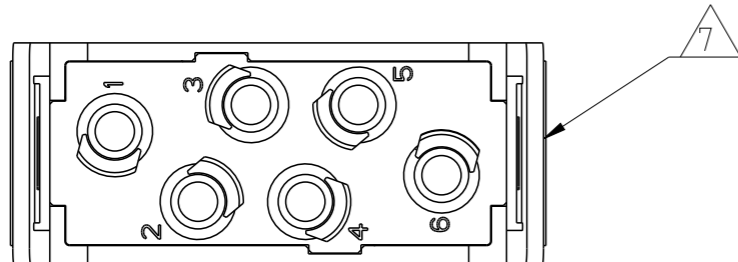
PN 0-1 As Shown
Contact arrangement
view from connecting side



Lateral Print



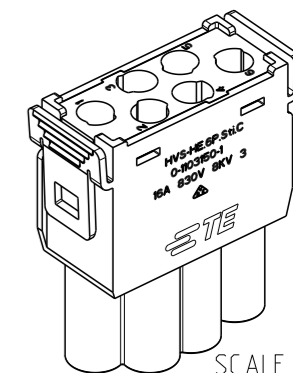
Contact arrangement
view from termination side



NOTES

- 1 SUITABLE CRIMP CONTACTS: SERIES HE/HA
CUSTOMER DRAWING: 1105100
OUTER DIMENSIONS OF INSULATION: MAX. Ø4.9mm
- 2 SUITABLE MODULE FIXING FRAME: SERIES HVS SIZE 3 TO 8
CUSTOMER DRAWING: 1103250
- 3 SUITABLE INSERTION TOOL:
CUSTOMER DRAWING: 0-1102855-6
- 4 SUITABLE EXTRACTION TOOL:
CUSTOMER DRAWING: 0-1102855-7
- 5 STANDARDS:
DIN EN 61984; DIN EN 60664-1
- 6 POLARIZATION RIPS
- 7 MARKING OF POLARIZATION ACCORDING TO MARKING OF
MODULE FRAME
- 8 PACKAGING:
10 SETS IN A CARTON, PRE-MOUNTED

PN 0-1 As Shown



QTY	DESCRIPTION	MATERIAL	SURFACE	COLOR	ITEM
1	MALE INSERT	PBT-GF10		LIGHT GREY	1
1	COVER FOR MALE INSERT	PBT-GF15		LIGHT GREY	2

HVS-HE.6P.Sti.C

THIS DRAWING IS A CONTROLLED DOCUMENT.

DIMENSIONS: mm	TOLERANCES UNLESS OTHERWISE SPECIFIED: ISO 8075 DIN ISO 2768 mH-E DIN 16901-120
	0 PLC ± 1 PLC ± 2 PLC ± 3 PLC ± 4 PLC ± ANGLES ±
MATERIAL	FINISH
9	10

DWN	M.SCHWEIGER	12.10.2005
CHK	T.SCHNURPFIL	13.10.2005
APVD	T.SCHNURPFIL	13.10.2005
PRODUCT SPEC	108-74054	
APPLICATION SPEC	114-74073	
WEIGHT		

STE TE Connectivity

NAME
**MALE INSERT
HVS-HE.6P.STI.C**

SIZE	CAGE CODE	DRAWING NO	RESTRICTED TO
A3	00779	C-1103150	

CUSTOMER DRAWING SCALE 2:1 SHEET 1 OF 1 REV C