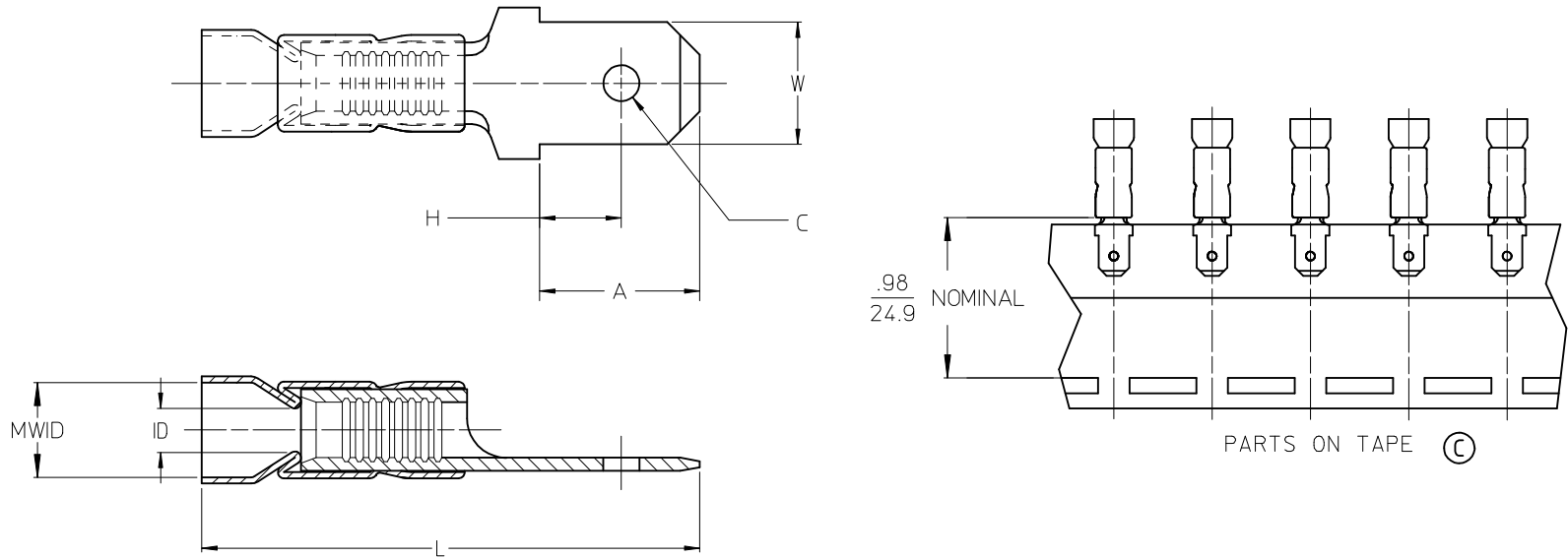


10	9	8	7	6	5	4	3	2	19024				
LOOSE PC MATERIAL NO.	LOOSE PC ENGINEER'G NO.	ON TAPE MATERIAL NO.	ON TAPE ENGINEERING NO.	WIRE RANGE	ID MIN	MWID	L ± .03 0.8	W ± .005 0.13	A MIN	H MAX	C ± .007 0.18	TERMINAL MAT'L, THICKNESS - REF	TERMINAL FINISH
190240001	AMCT-4	190240004	AMCT-4T	22-18AWG (0.38-.96mm <sup>2</sup> )	.054/1.37	.138/3.50	.857/21.77	.250/6.35	.30/7.6	.14/3.6	.075/1.91	BRASS, .032/0.81	ZINC CHROMATE
190240007	MCT-4	190240009	MCT-4T	16-14 AWG (1.23-1.94mm <sup>2</sup> )	.081/2.06	.169/4.29	.857/21.77	.250/6.35	.30/7.6	.14/3.6	.075/1.91	BRASS, .032/0.81	ZINC CHROMATE
190240005	CMCT-4	190240006	CMCT-4T	12-10AWG (3.09-5.01mm <sup>2</sup> )	.128/3.25	.232/5.89	.994/25.25	.250/6.35	.30/7.6	.14/3.6	.075/1.91	BRASS, .032/0.81	ZINC CHROMATE
190240002	AMCT-47	-	-	22-18AWG (0.38-.96mm <sup>2</sup> )	.054/1.37	.138/3.50	.762/19.36	.187/4.75	.24/6.1	.13/3.3	.055/1.40	BRASS, .020/0.51	ZINC CHROMATE
190240008	MCT-47	-	-	16-14 AWG (1.23-1.94mm <sup>2</sup> )	.081/2.06	.169/4.29	.762/19.36	.187/4.75	.24/6.1	.13/3.3	.055/1.40	BRASS, .020/0.51	ZINC CHROMATE

Ⓒ ENTIRE CHART



NOTES:

1. TERMINAL MATERIAL & FINISH: SEE CHART
2. FERRULE:  
MATERIAL: BRASS  
FINISH: TIN Ⓒ
3. TAB DIMENSIONS CONFORM TO UL310 SPECIFICATIONS.
4. PART IS ROHS COMPLIANT.
- Ⓒ 5. MWID = MAXIMUM WIRE INSULATION DIAMETER

<b>REDWN W/MATL &amp; FIN CHG</b> EC NO: ETC2007-0081 DRW: JHLE 2008/01/28 CHKD: JMAGNEIL 2008/01/28 APPR: JMAGNEIL 2008/02/13 C	QUALITY SYMBOLS ▽=0 ▽=0	GENERAL TOLERANCES (UNLESS SPECIFIED)		DIMENSION STYLE <b>IN/MM Ⓒ</b>	SCALE <b>4:1</b>	DESIGN UNITS <b>INCH</b>	THIRD ANGLE PROJECTION		
		4 PLACES ± --- ± --- 3 PLACES ± --- ± .005 2 PLACES ± 0.13 ± .01 1 PLACE ± 0.25 ± ---	mm INCH ± --- ± --- ± .005 ± .01 ± --- ± ---	DRAWN BY RCM	DATE 1992/02/14	TITLE <b>MALE CONNECTOR TERMINAL, VIBRAKRIMP .250 X .032 TAB</b>			
		ANGULAR ± 1/2°		CHECKED BY RWD	DATE 1992/02/14	<b>MOLEX MOLEX INCORPORATED</b>			
		DRAFT WHERE APPLICABLE MUST REMAIN WITHIN DIMENSIONS		APPROVED BY RWD	DATE 1992/02/14	MATERIAL NO. <b>SEE CHART</b>	DOCUMENT NO. <b>SD-19024-001</b>	SHEET NO. <b>1 OF 1</b>	