

SPECIFICATION FOR APPROVAL



TO: _____

PART NO.		REV.		DELTA SAMPLE ISSUE NO	
PART NAME	EMI FILTER		DELTA MODEL		03DWCG5
ORDER P/N.	03DWCG5		SAMPLE ISSUE DATE		

1. ELECTRICAL CHARACTERISTICS:

1-1. VOLTAGE RATING 115/250VAC

1-2. CURRENT RATING

- A. AT 115VAC 3 A RMS Max.
- B. AT 250VAC 3 A RMS Max.

1-3. OPERATING FREQUENCY..... 50/60 Hz

1-4. LEAKAGE CURRENT: EACH LINE TO GROUND

- A. @115VAC 60Hz 0.50 mA Max.
- B. @250VAC 50Hz 1.00 mA Max.

1-5. HIPOT RATING (FOR ONE MINUTE)

- A. LINE TO GROUND 2250VDC
- B. LINE TO LINE 1450VDC

1-6. TEMPERATURE RANGE: -25 TO +100 DEGREE C

1-7. MINIMUM INSERTION LOSS IN dB: (AT 50 OHM SYSTEM)

FREQ. MHz	.01	.05	.10	.15	.50	1.0	5.0	10	30
COM. MODE dB	1	6	10	12	20	30	60	60	45
DIF. MODE dB	0	1	15	25	50	60	45	50	50

1-8. SAFETY

REPORT BY	CHECKED BY	APPROVED BY		
			REV.	

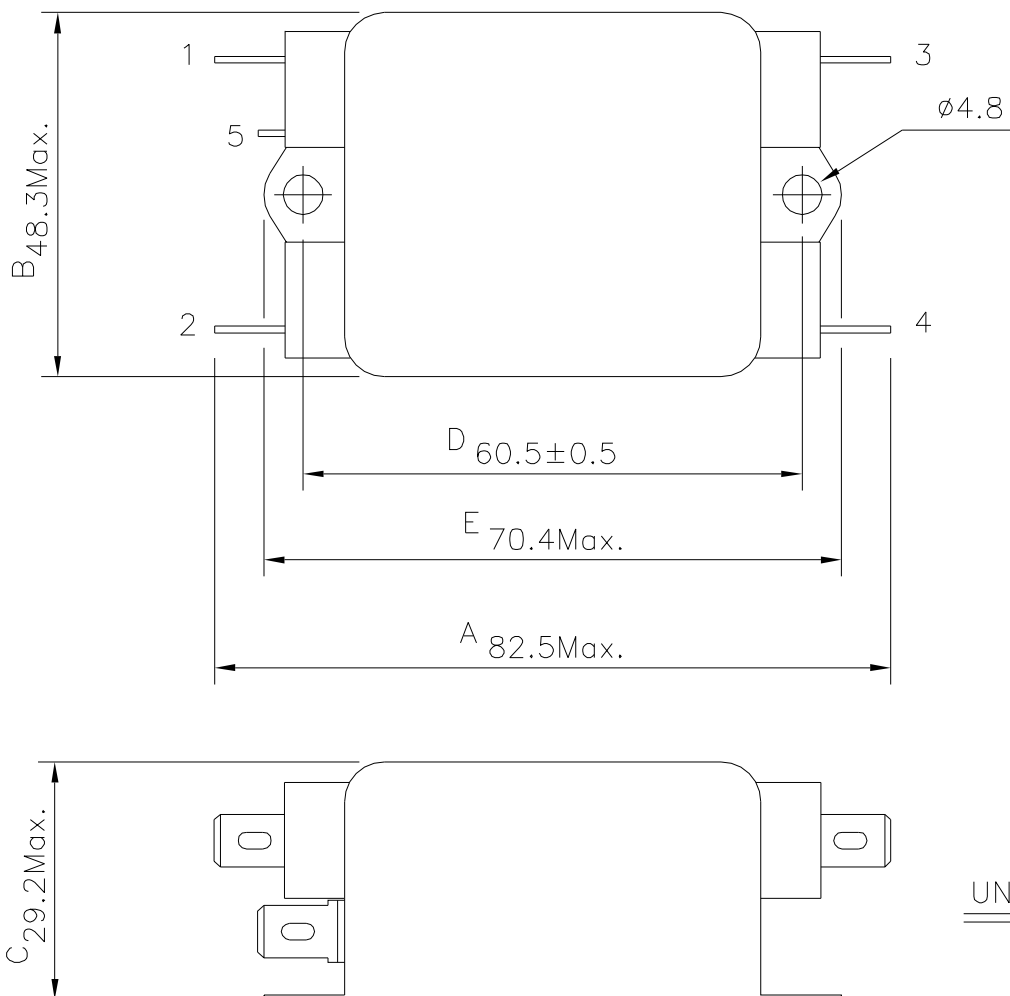
SPECIFICATION FOR APPROVAL



TO: _____

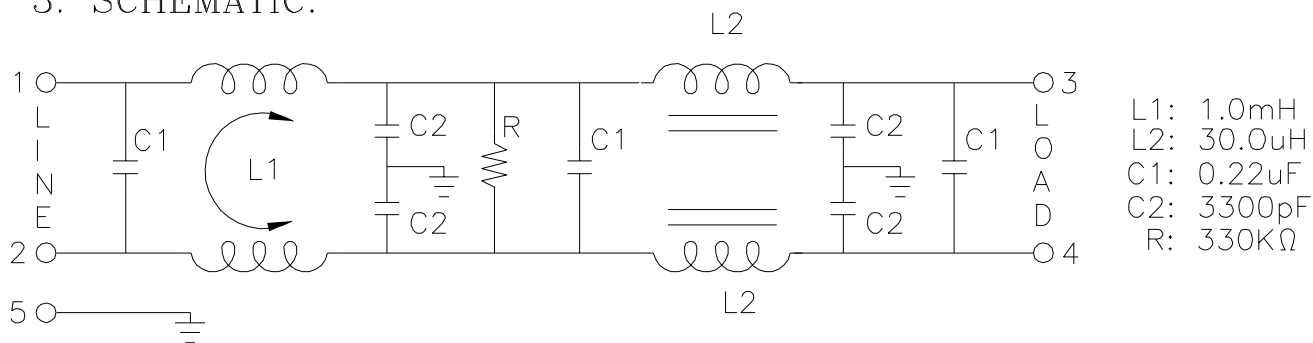
PART NO.		REV.		DELTA SAMPLE ISSUE NO	
PART NAME	EMI FILTER			DELTA MODEL	03DWCG5
ORDER P/N.	03DWCG5			SAMPLE ISSUE DATE	

2. PHYSICAL DIMENSIONS:



UNIT: mm

3. SCHEMATIC:



REPORT BY	CHECKED BY	APPROVED BY	UNLESS OTHERWISE SPECIFIED DIMENSION TOLERANCE DECIMALS .X± .XX± ANGLES±		
			REV.		