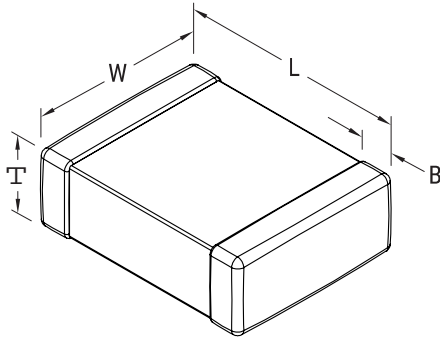


**KEMET Part Number: LDEPD2100KA5N00**  
(DEPD2100KA5N00)

LDE, Film, Metallized PEN Stacked, Automotive Grade, 0.01 uF, 10%, 200 VAC, 630 VDC, 125C, 2220, 3mm



**General Information**

<b>Supplier:</b>	KEMET
<b>Series:</b>	LDE
<b>Dielectric:</b>	Metallized PEN Stacked
<b>Style:</b>	SMD Chip
<b>Features:</b>	Automotive Grade
<b>RoHS:</b>	Yes
<b>Qualifications:</b>	AEC-Q200
<b>AEC-Q200:</b>	Yes
<b>Shelf Life:</b>	104 Weeks
<b>MSL:</b>	2

**Dimensions**

<b>Chip Size</b>	2220
<b>L</b>	6mm +/-0.3mm
<b>W</b>	5mm +/-0.4mm
<b>T</b>	3mm MAX
<b>B</b>	0.5mm +/-0.5/-0.3mm

**Specifications**

<b>Capacitance:</b>	0.01 uF
<b>Capacitance Tolerance:</b>	10%
<b>Voltage AC:</b>	200 VAC
<b>Voltage DC:</b>	630 VDC
<b>Temperature Range:</b>	-55/+125C
<b>Rated Temperature:</b>	125C
<b>Dissipation Factor:</b>	0.80% 1kHz
<b>Insulation Resistance:</b>	1 GOhms
<b>Max dV/dt:</b>	100 V/us

**Packaging Specifications**

<b>Packaging:</b>	T&R
<b>Packaging Quantity:</b>	2250