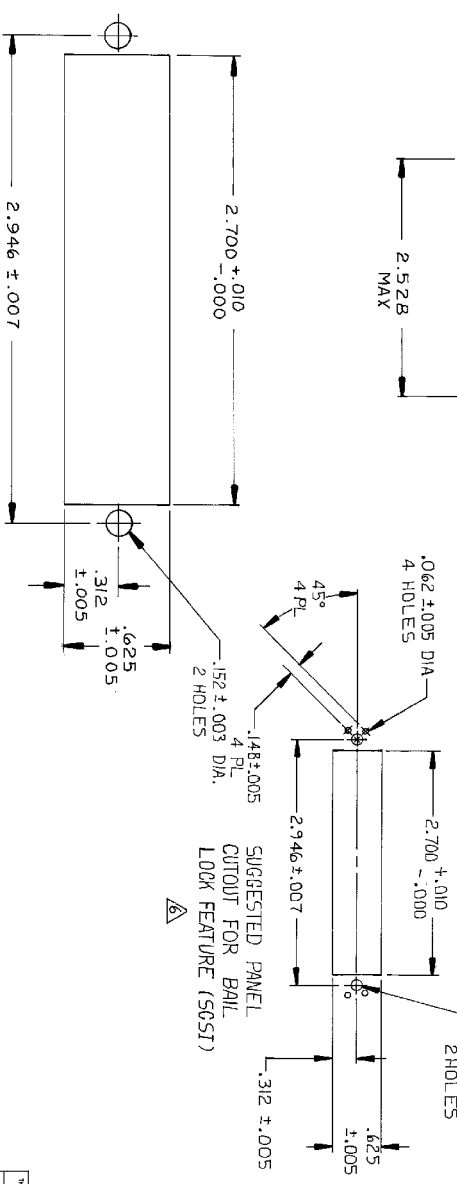
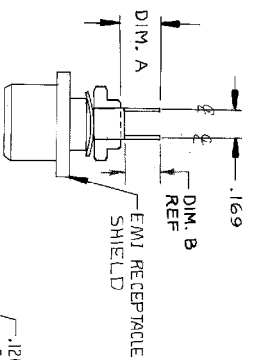
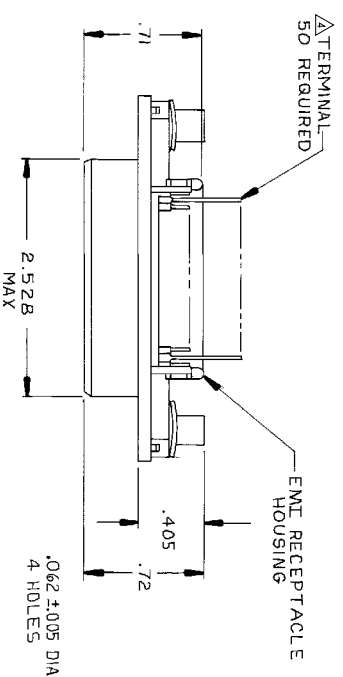


1. THE CONTACT SURFACE OF THE TERMINALS ARE COATED WITH TERNOLAN.
 2. ALL DIMENSIONS SHOWN ARE FOR REFERENCE ONLY UNLESS OTHERWISE SPECIFIED.
- MATERIAL:
- HOUSING - THERMOPLASTIC, BLACK, TYPICALLY PLATED WITH EITHER 5000030 MIN GOLD PLATE OR GOLD FLASH OVER PALLADIUM NICKEL PLATE, .000030 MIN TOTAL ON PLATING SURFACE, .000120 MIN TIN-LEAD PLATE ON ENTIRE TERMINAL.
 - STUD RECEIVER - STAINLESS STEEL
 - SHIELD - NICKEL PLATED DIE CASTING.
- △ HOLES TO BE TAPERED AFTER PLATING.
 - △ USE HARDWARE KIT 554217-3 FOR PART NUMBERS 554217-3 AND -4 WHEN BALL LOCK FEATURE IS REQUIRED.
 - △ THE BALL LOCK FEATURE HAS APPLICATION FOR SMALL COMPUTER SYSTEMS INTERFACE (SCSI).



THIS DRAWING IS A CONTROL DOCUMENT.

REV.	DATE	DESCRIPTION
1	11/01/85	INITIAL RELEASE
2	02/08/87	REVISION

DATE: 11/01/85

BY: WJM

CHKD: WJM

APP'D: WJM

REVISIONS

NO.	DATE	BY	CHKD.	APP'D.
1	11/01/85	WJM	WJM	
2	02/08/87	K	WJM	

DATE: 11/01/85

BY: WJM

CHKD: WJM

APP'D: WJM