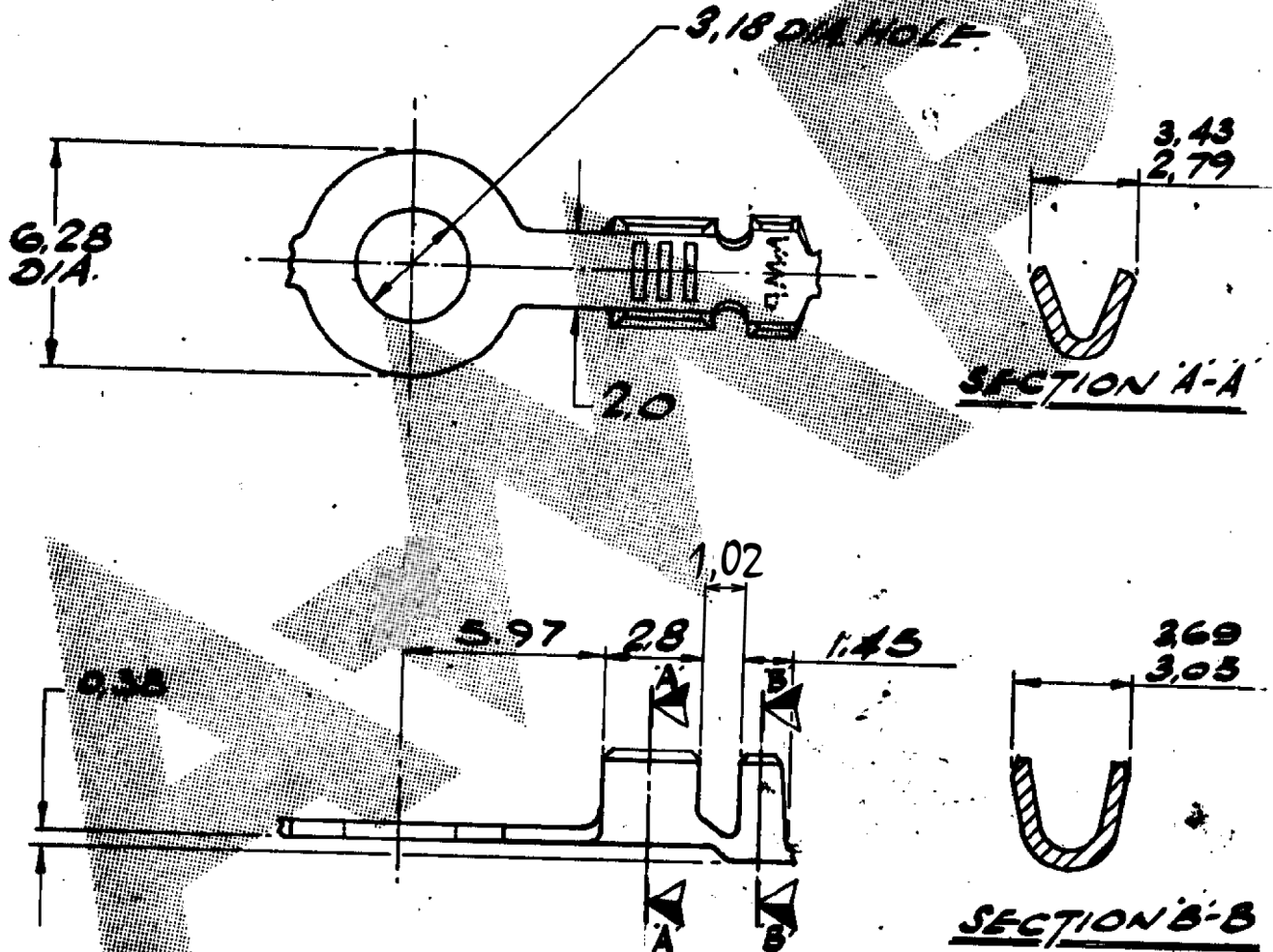


C342018

3rd ANGLE (AMERICAN) PROJECTION

DIMENSIONS IN **M.M.** DO NOT SCALE PRINT



ELECTRO-TIN		BRASS 0.50 THICK		342018-2	
NONE		TEMPER 1		342018-1	
FINISH		MATERIAL		PART NUMBER	
© AMP of GREAT BRITAIN LTD 1983				CUSTOMER COPY REFERENCE ONLY	
MATERIAL AND FINISH SEE ABOVE				AMP of Great Britain Ltd.	
				TERMINAL HOUSE, STANMORE, MIDDX.	
A	ECR-15-013234.	DC	DC	08SEP 2015	CLASS
O	RELEASE FOR PRODUCTION	KS	-	20/83	TYPE
ISS	REVISION RECORD	DR	CHK	DATE	WIRE - RANGE - INSULATION
DR	C.E. SLOUGH	DE			TOLERANCE EXCEPT AS NOTED ± 0.5
CHK	A. HOWARD. 12-4-83	APR		12-4-83.	SCALE ± 1° 0' 5:1
				LOC	NO
				E	A C342018
24-20 RING TONGUE STRIP.					