

4

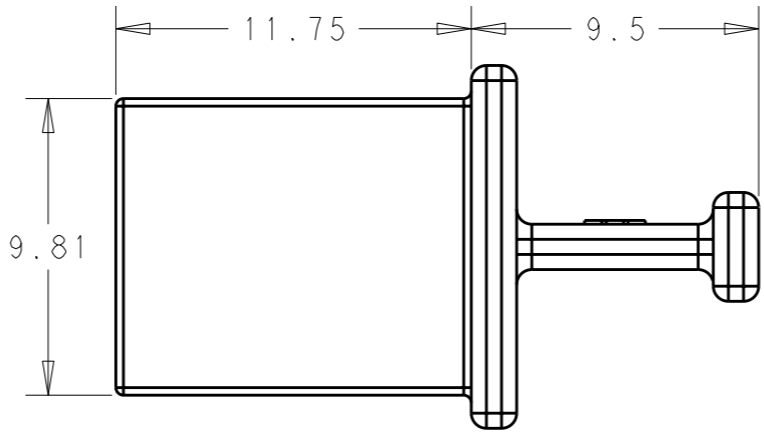
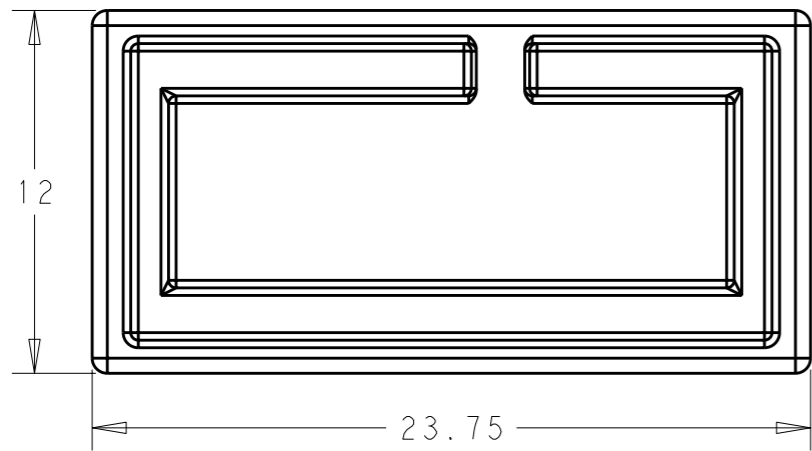
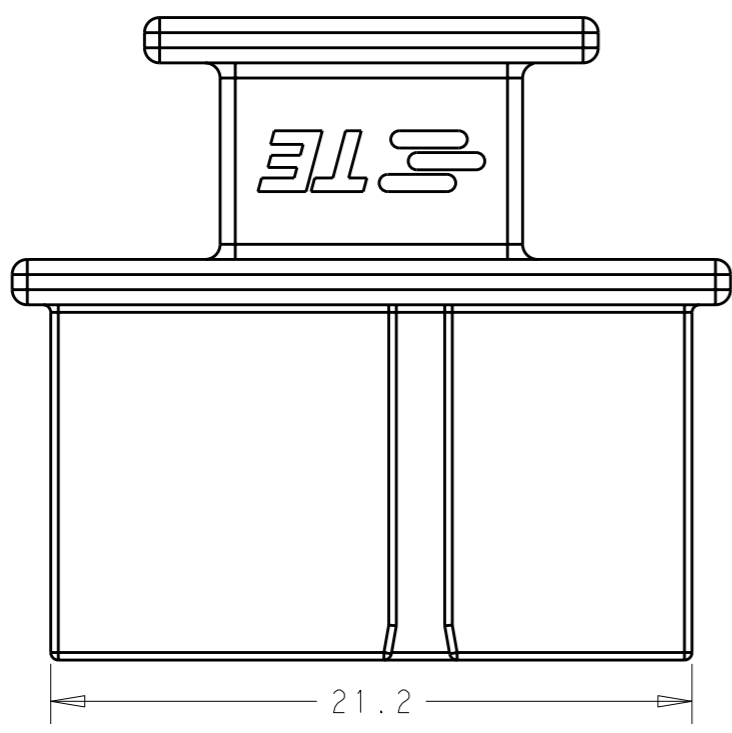
3

2

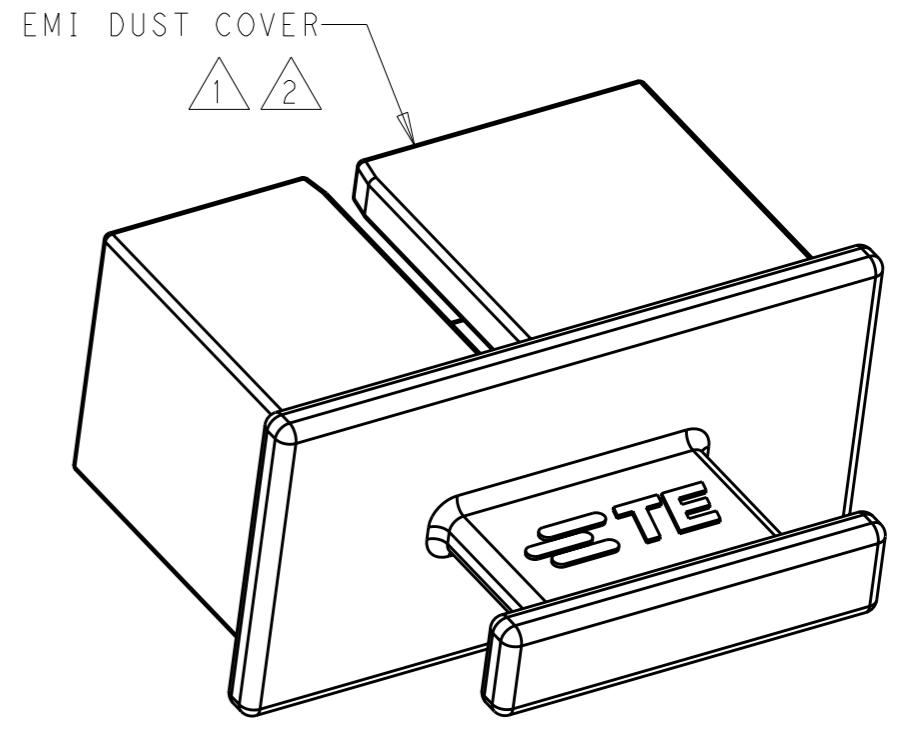
1

THIS DRAWING IS UNPUBLISHED. RELEASED FOR PUBLICATION 20
 © COPYRIGHT 20 BY - ALL RIGHTS RESERVED.

LOC	DIST	REVISIONS			
P	LTR	DESCRIPTION	DATE	DWN	APVD
GP	00				
	2	REVISED	14MAR2011	MEC	MDM
	3	REVISED	02MAY2011	MEC	MDM
	4	REVISED	26SEP2011	MEC	MDM
	5	REVISED	28SEP2011	MEC	MDM



- 1 ZINC ALLOY PER ASTM B 86
- 2 1.27µm MIN NICKEL PLATE PER QQ-N-290



2149126-3
SCALE 4:1

PRELIMINARY PART- NOT RELEASED FOR PRODUCTION

2149126-3
PART NUMBER

THIS DRAWING IS A CONTROLLED DOCUMENT.		DWN 15DEC2010 M.E. COWHER	 TE Connectivity <h1 style="color: purple; opacity: 0.5;">PRELIMINARY</h1>
DIMENSIONS: mm		CHK 15DEC2010 M.D. MORRISON	
TOLERANCES UNLESS OTHERWISE SPECIFIED:		APVD 15DEC2010 M.D. MORRISON	
0 PLC ±0.1 1 PLC ±0.1 2 PLC ±0.1 3 PLC ±0.1 4 PLC ±0.1 ANGLES ±		PRODUCT SPEC -	
MATERIAL SEE NOTE		FINISH SEE NOTE	APPLICATION SPEC -
		WEIGHT -	SIZE A3
		CUSTOMER DRAWING	CAGE CODE 00779
			DRAWING NO C-2149126
			RESTRICTED TO -
			SCALE 4:1
			SHEET 1 OF 1
			REV 5