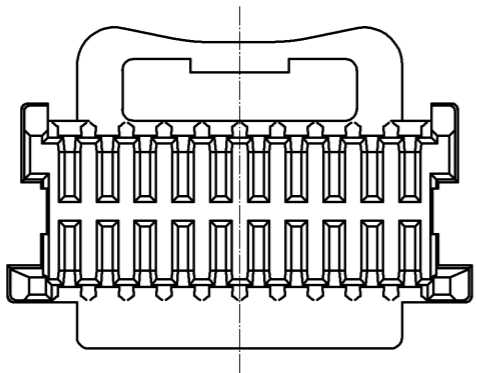
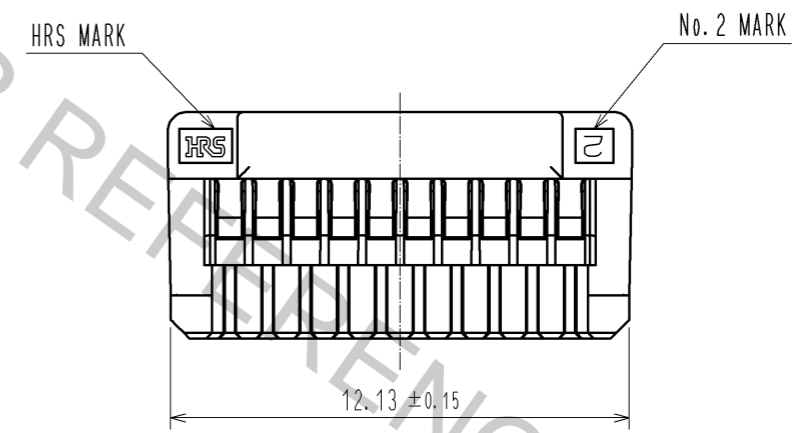
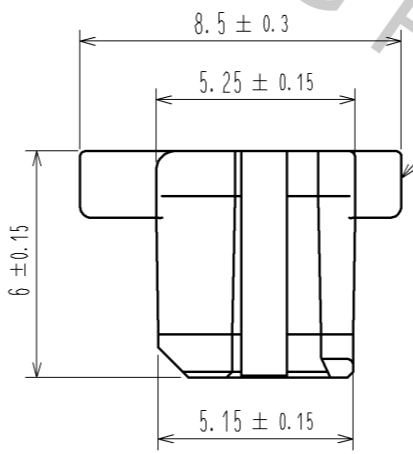
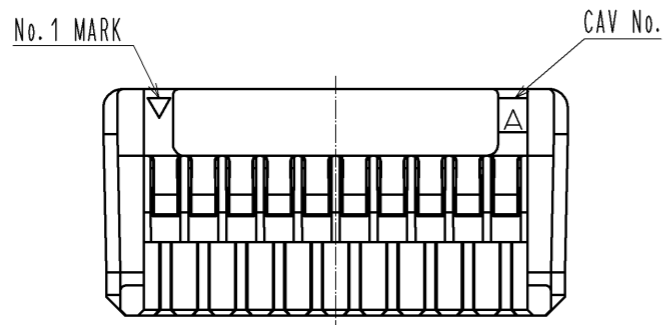
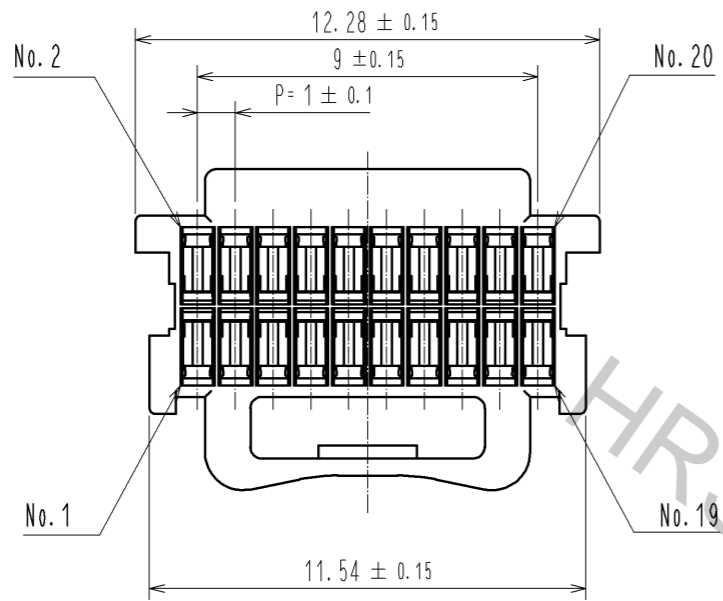


Apr.1.2017 Copyright 2017 HIROSE ELECTRIC CO., LTD. All Rights Reserved.



NOTE 1. 100 PIECES PER PACK

NO.		MATERIAL		FINISH . REMARKS		1	PBT	UL94V-0. BLACK
UNITS mm		SCALE 5 : 1		COUNT		DESIGNED		CHECKED
HRS		HIROSE ELECTRIC CO., LTD.		APPROVED : KI. AKIYAMA		14.10.24		DRAWING NO.
				CHECKED : TS. FUKUSHIMA		14.10.23		PART NO.
				DESIGNED : HT. SATO		14.10.23		CODE NO.
				DRAWN : MI. SAKIMURA		14.10.23		CL665-0020-2-15
								EDC3-339520-01
								DF50S-20DS-1C(15)
								△ 1/1