

CGA2B2C0G2A151J050BE

TDK Item Description : CGA2B2C0G2A151JT***S



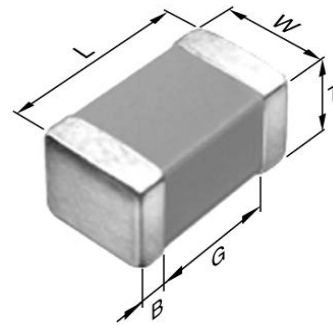
Equivalent C1005C0G2A151J for Automotive

Application & Main Feature

Automotive Grade (Soft Termination)

Series

CGA2(1005) CC0402]



Dimensions

L	1.00mm +0.15,-0.05mm
W	0.50mm +0.1,-0.05mm
T	0.50mm +0.1,-0.05mm
B	0.10mm Min.
G	0.30mm Min.

Temperature Characteristic

C0G (-55 to 125 degC 0+/-30ppm/degC)

Rated Voltage

2A (100Vdc)

Capacitance

150pF

Capacitance Tolerance

J (+/-5%)

Q Factor

1000 Min.

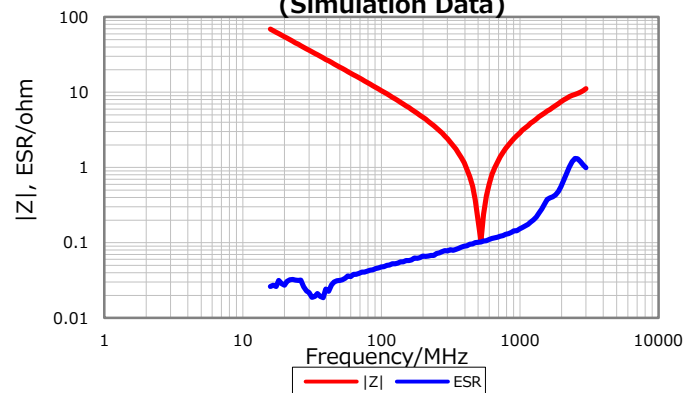
Insulation Resistance

10Gohm Min

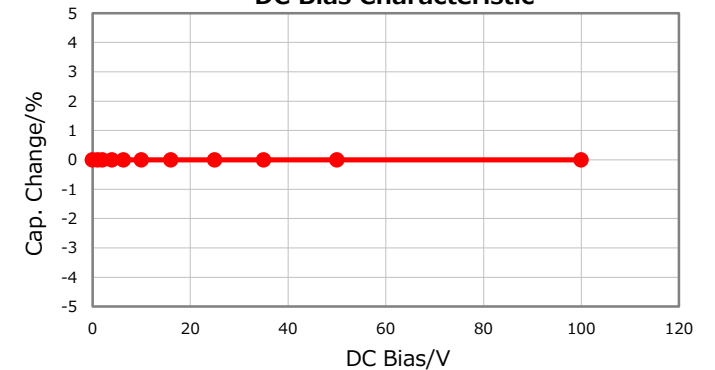
AEC-Q200

Yes

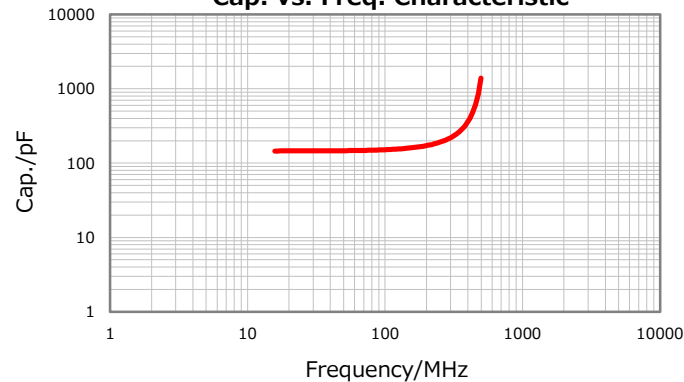
**|Z|, ESR vs. Freq. Characteristics
(Simulation Data)**



DC Bias Characteristic



Cap. vs. Freq. Characteristic



Temperature Characteristics

