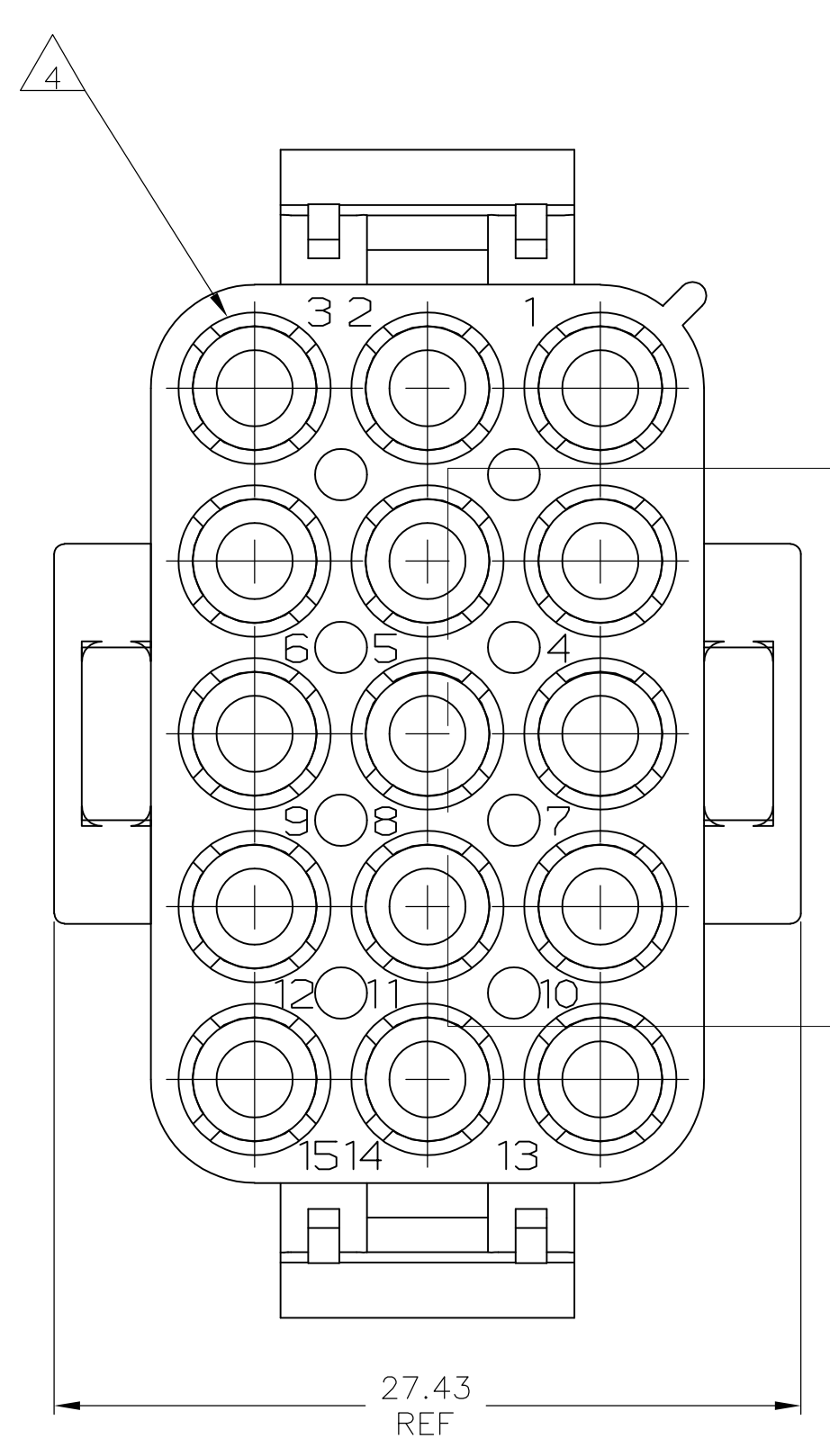
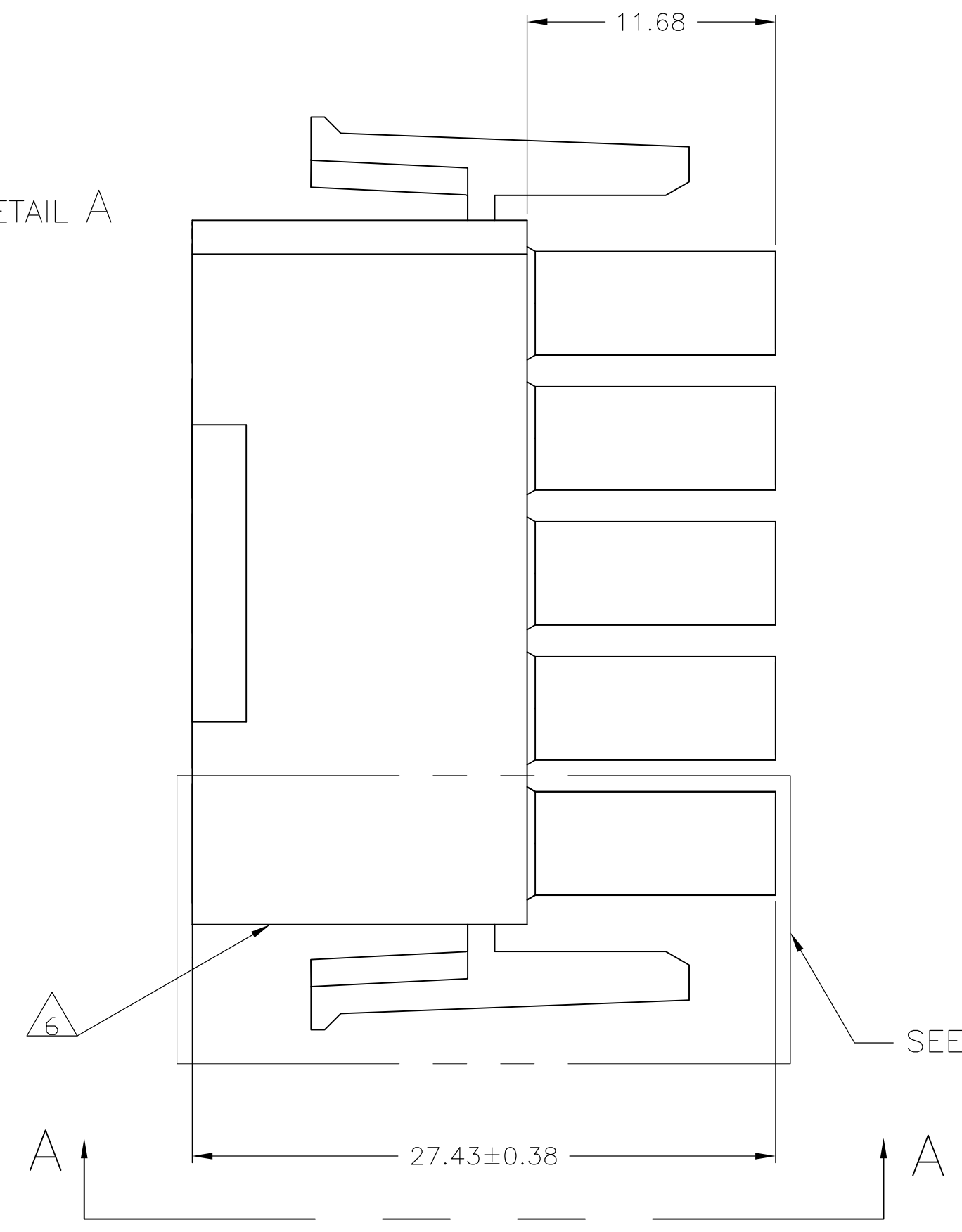


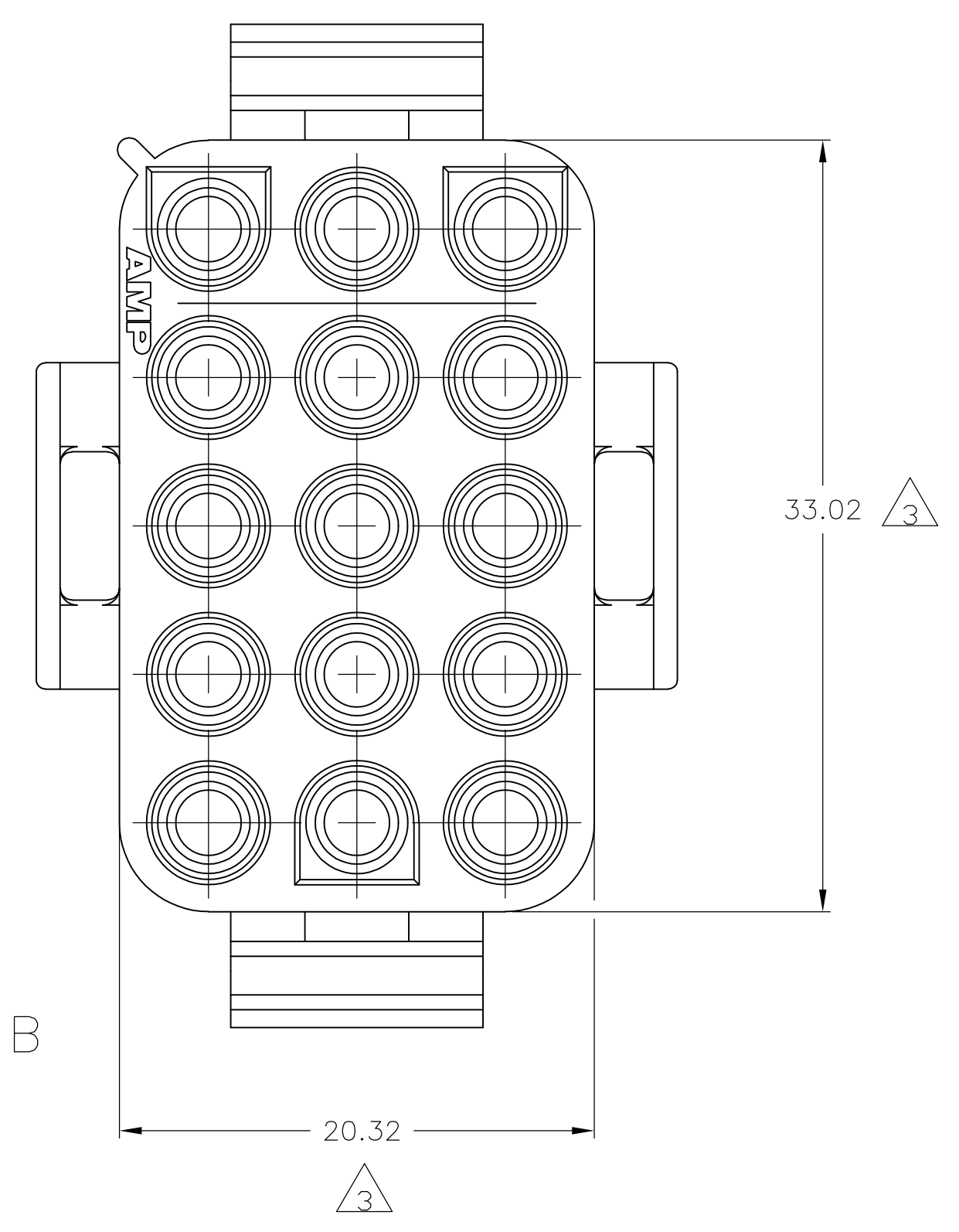
LOC		DIST		REVISIONS			
REV	DATE	DESCRIPTION	DATE	BY	APPV		
V3		REVISED PER ECO-12-003860	08MAR12	JR	TM		



SEE DETAIL A

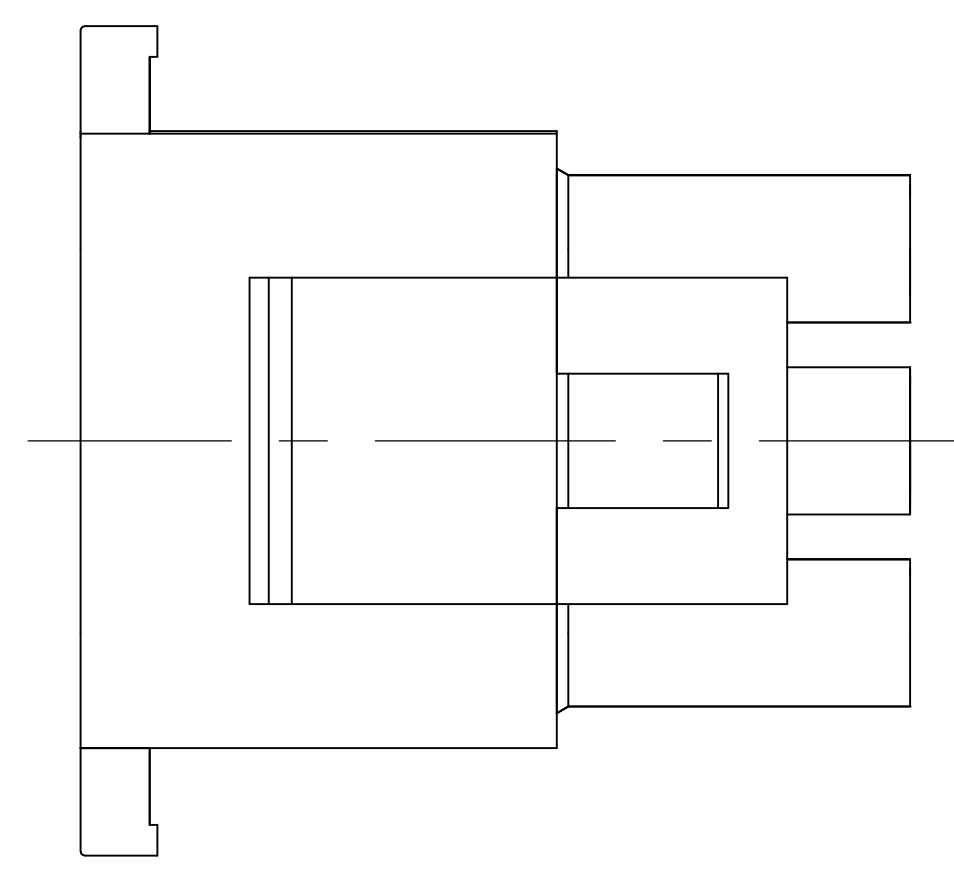


SEE DETAIL B

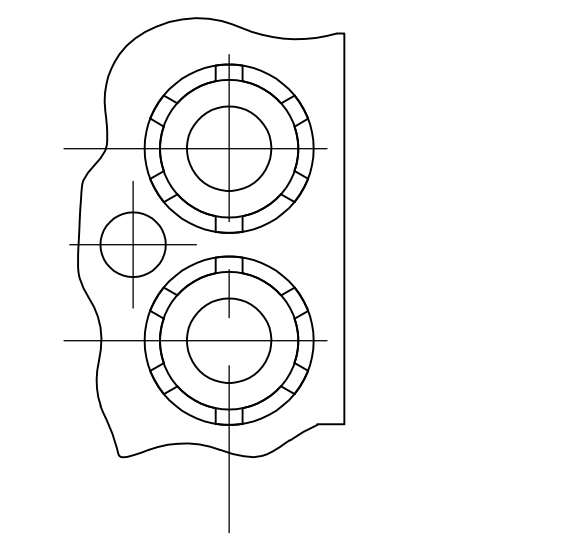
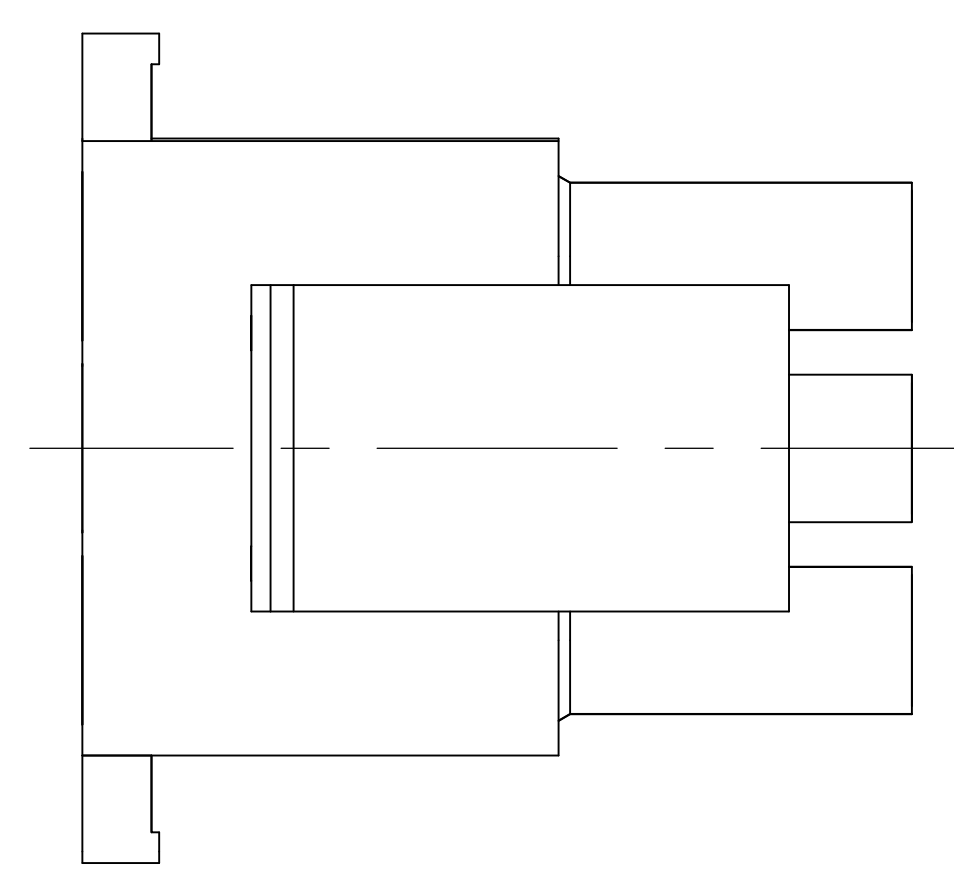


- MATES WITH APPROPRIATE UNIVERSAL MATE-N-LOK™ CAP OR HEADER.
- SMALL NICKS ARE PERMITTED ON THE CIRCUIT TOWERS WHICH COULD INCREASE THE INITIAL HOUSING MATING FORCE BY UP TO 4.4 NEWTONS [1.0 LBS]. NO INDIVIDUAL NICKED TOWER SHALL INCREASE THIS FORCE BY OVER 2.2 NEWTONS [.5 LBS].

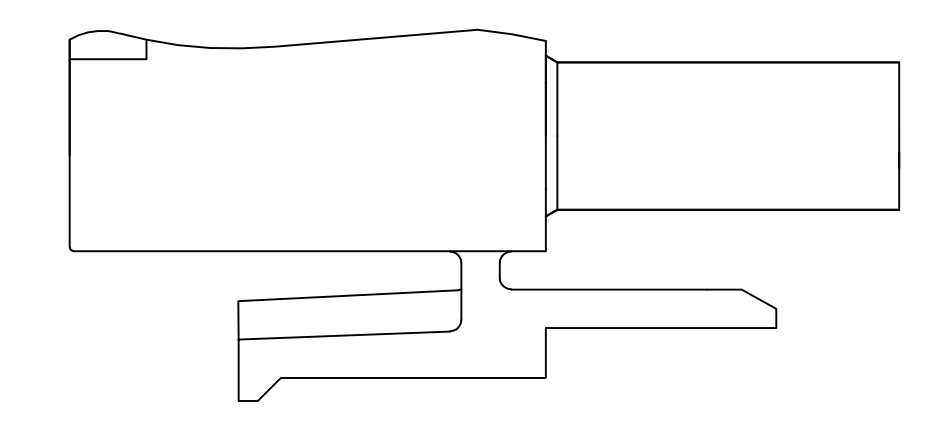
- △3 DIMENSION INDICATED IS AS MOLDED. ADDITIONAL GROWTH DUE TO SUBSEQUENT MOISTURE ABSORPTION MAY OCCUR.
- △4 FOUR RIBS EQUALLY SPACED, NO SPECIFIC ORIENTATION. OR SIX RIBS EQUALLY SPACED, NO SPECIFIC ORIENTATION, OPTIONAL.
- △5 NOT MANUFACTURED IN U.S.
- △6 UNDERWRITERS RECOGNIZED COMPONENT LOGO AND CSA CERTIFICATION LOGO TO BE LOCATED ONCE ON EACH SIDE OF HOUSING.



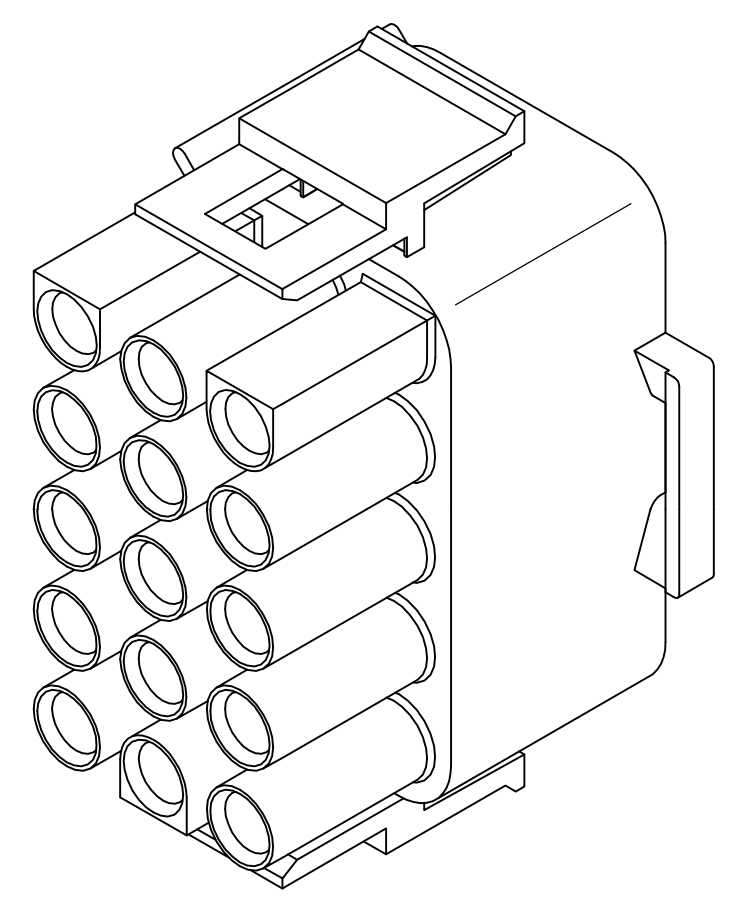
VIEW A-A  
350736-4 ONLY



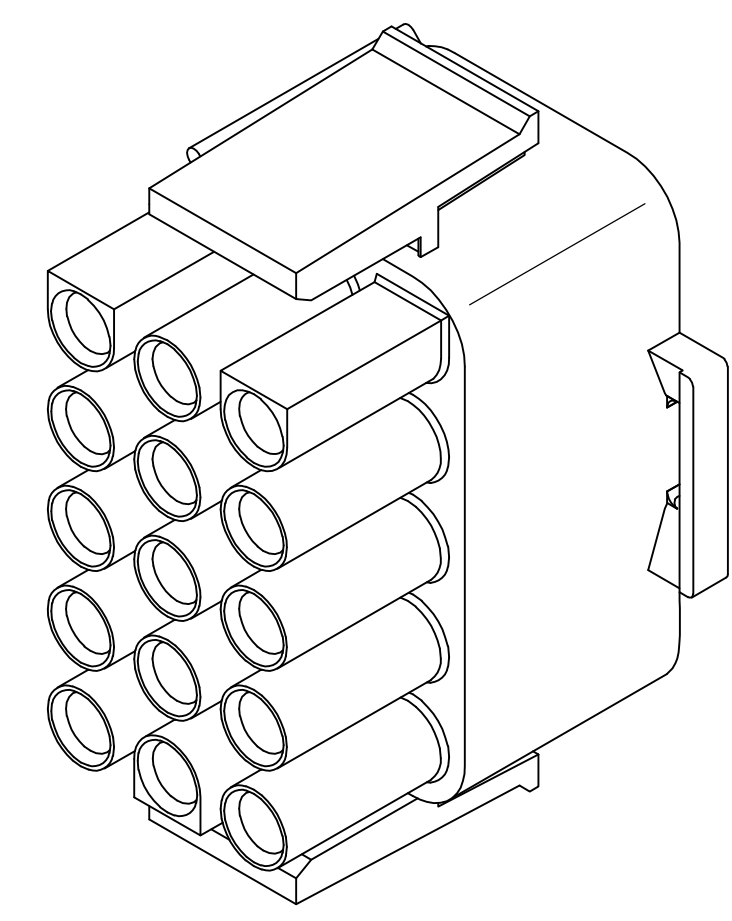
PARTIAL DETAIL A  
OPTIONAL CONSTRUCTION



DETAIL B  
350736-4 ONLY



350736-4 3-DIMENSIONAL MODEL  
NTS



3-DIMENSIONAL MODEL  
NTS

BLACK	1-350736-9
GRAY	1-350736-8
BLUE	1-350736-6
GREEN	1-350736-5
YELLOW	1-350736-4
ORANGE	1-350736-3
RED	1-350736-2
BROWN	1-350736-1
△	350736-4
NATURAL	350736-1
COLOR	PART NUMBER

METRIC

THIS DRAWING IS A CONTROLLED DOCUMENT.

DIMENSIONS:	TOLERANCES UNLESS OTHERWISE SPECIFIED:	DWG: K. WHITAKER 20FEB92	CHK: R. SWING 20FEB92	APPROV: D. SELF 24FEB92	NAME:
mm	0. PLC ± -	MATERIAL: NYLON, UL 94V-0		FINISH: -	
	1. PLC ± -	WEIGHT: -		SIZE: A1	
	2. PLC ± 0.13	CUSTOMER DRAWING		SCALE: 4:1	
	3. PLC ± -	RESTRICTED TO:		SHEET 1 OF 1	
	4. PLC ± -	REV: V3		REV: V3	
	ANGLES ± 0.30°	PLUG, 15 CIRCUIT, UNIVERSAL MATE-N-LOK™			

STE TE Connectivity