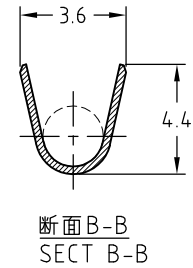
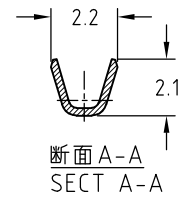
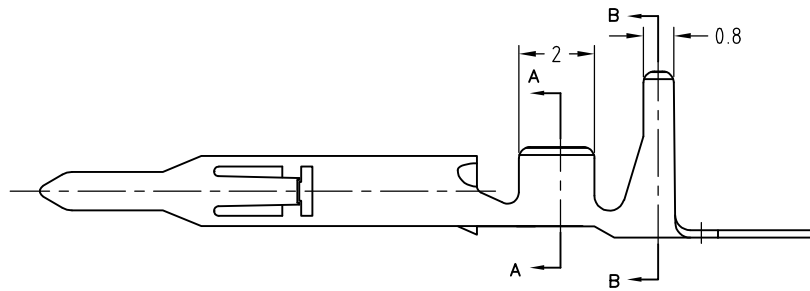
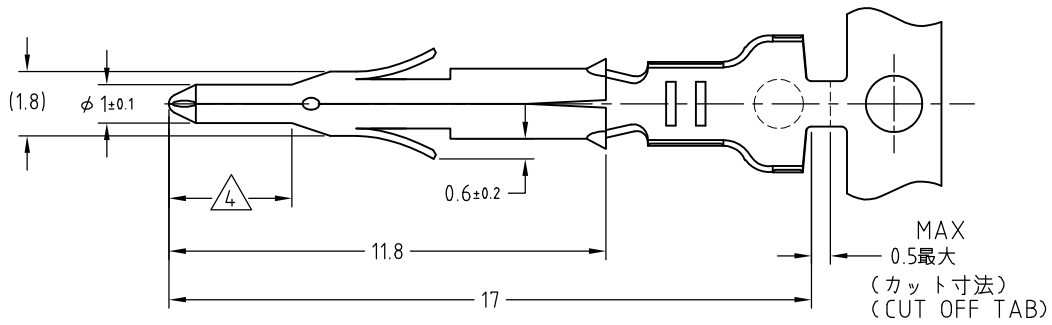


LOC J	DIST —	REVISIONS 変更			DATE	DWN	APVD
		P	LTR	DESCRIPTION			
			K1	REVISED PER ECO-11-005030	11MAR11	RK	HMR



注記

1. 使用ハウジングはキャップ及びプラグ
- △ 2本圧着の被覆外径は3.4mm最大
3. 取扱説明書：IS-105J
- △ 全面ニッケルメッキの上に0.76μm最小の金メッキを施す。

NOTES

1. APPLICABLE HOUSING : CAP AND PLUG.
- △ APPLICABLE INSULATION DIA METER FOR TWO-WIRE CRIMP IS 3.4mm MAX.
3. INSTRUCTION SHEET : IS-105J
- △ SELECTIVE GOLD PLATED AREA 0.76μm MIN THK OVER Ni PLATED.

170361,170362 170365,170366	170364-4	PRE TIN PHOS BRO 0.2t 錫めっき済磷青銅 0.2t	170360-4
	170364-3	BRASS 0.2t 黄銅 0.2t	170360-3
	170364-1	PRE TIN BRASS 0.2t 錫めっき済黄銅 0.2t	170360-1
かん合相手型番 MATING CON'T	ばら状端型番 LP.NO	材料 MATERIAL	型番 P/N

WIRE RANGE 絶合電線断面積	AWG#22~#18 0.30~0.59mm ²	INSULATION DIA 被覆外径	△ 1.5~2.4mm
-----------------------	--	------------------------	-------------

THIS DRAWING IS UNPUBLISHED.

RELEASED FOR PUBLICATION

ALL RIGHTS RESERVED.

COPYRIGHT - By -

DIMENSIONS: 単位：耗 mm	DWN J.SATO	18JAN2008	MATERIAL 材料	SEE TABLE	FINISH 仕上		
	CHK S.MANABE	18JAN2008	TE Connectivity				
TOLERANCES UNLESS OTHERWISE SPECIFIED: 一般公差	APVD S.MANABE	18JAN2008					
0 PLC ± ±0.3	PRODUCT SPEC 製品規格	108-5138		MINI UNIVERSAL MATE-N-LOK PIN CONTACT			
1 PLC ±	APPLICATION SPEC 取付適用規格	114-5050					
2 PLC ±	WEIGHT			SIZE	CAGE CODE	DRAWING NO 番号	RESTRICTED TO
3 PLC ±		A4	00779	C	170360		
4 PLC ±		CUSTOMER DRAWING		SCALE 尺度	4:1	SHEET 1 OF 1	REV K1
ANGLES ±							