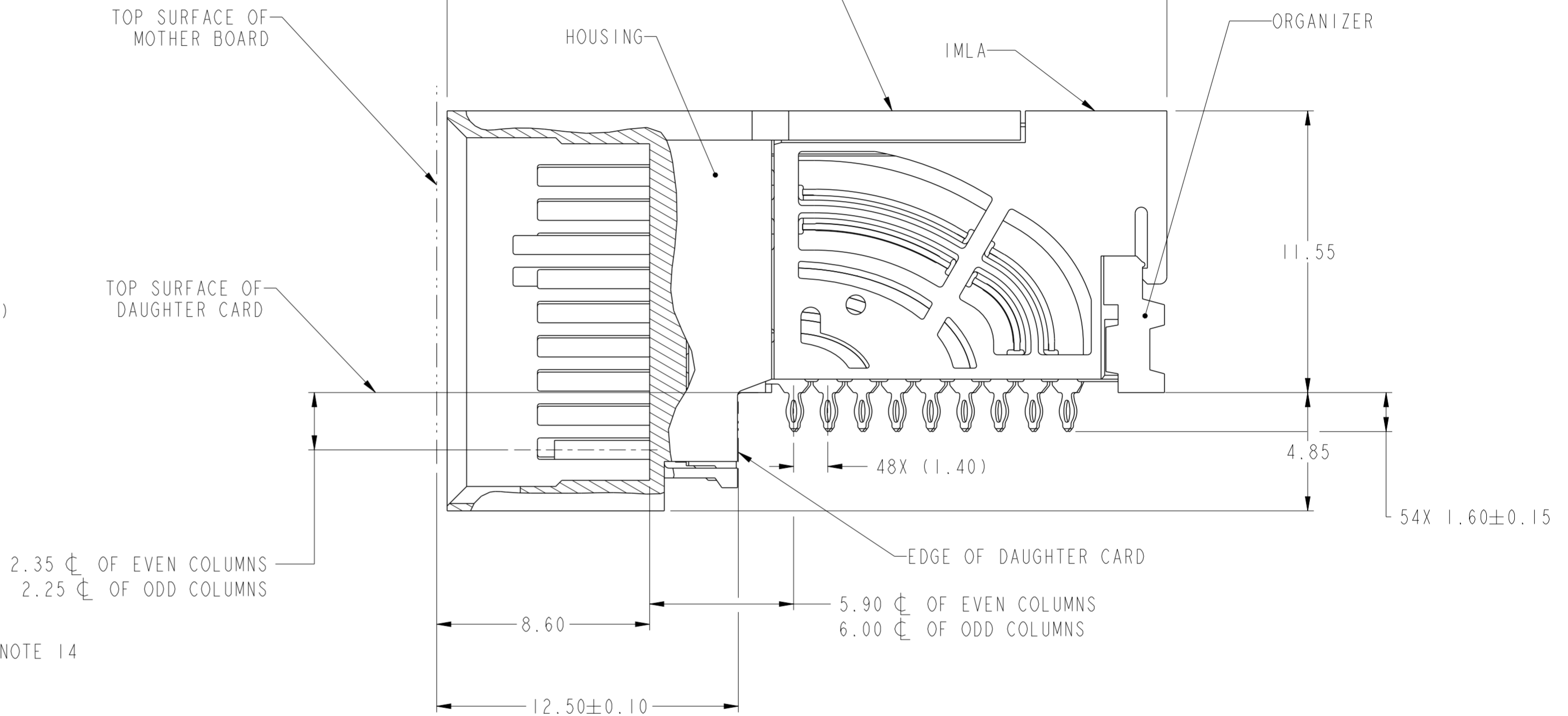
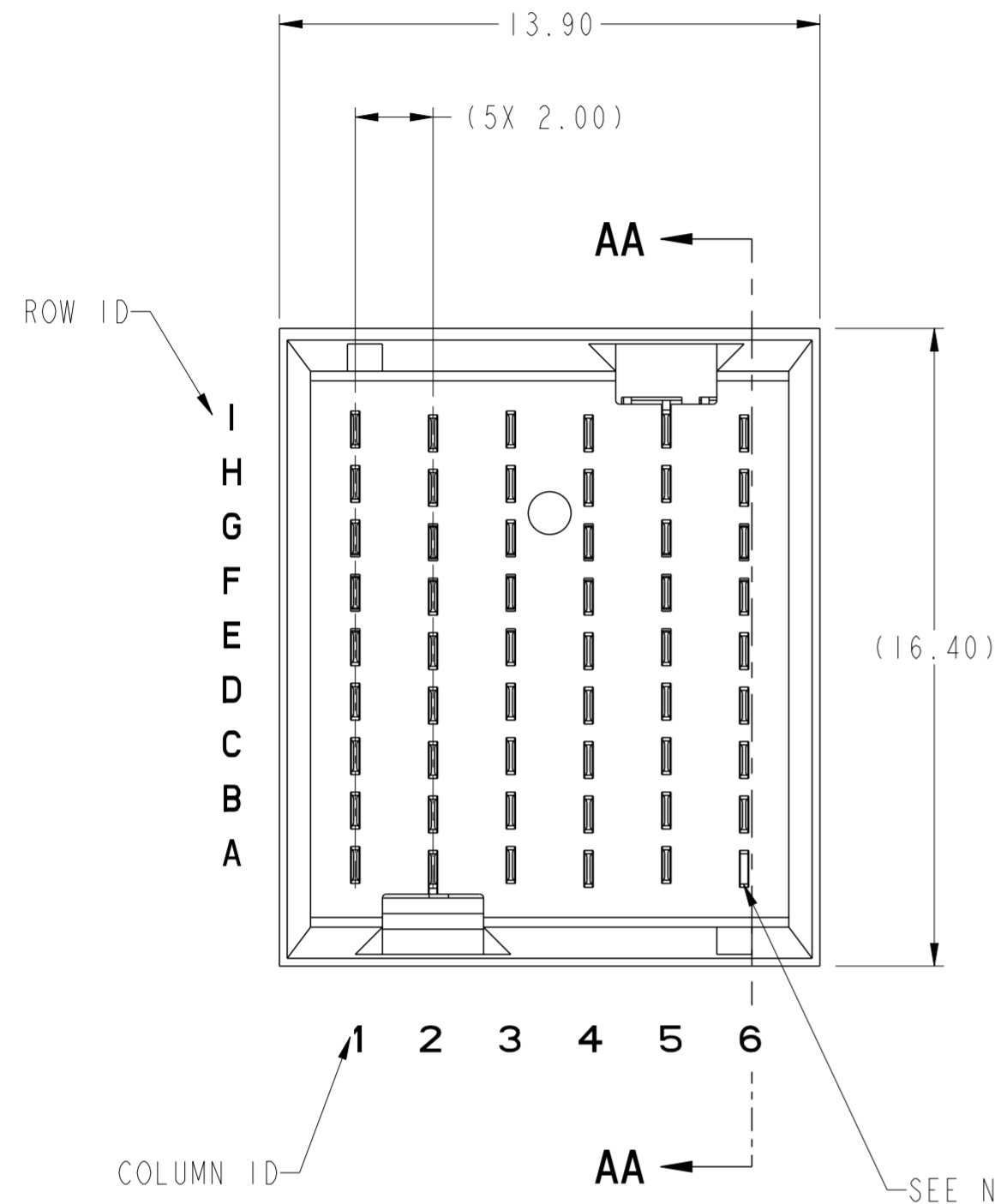
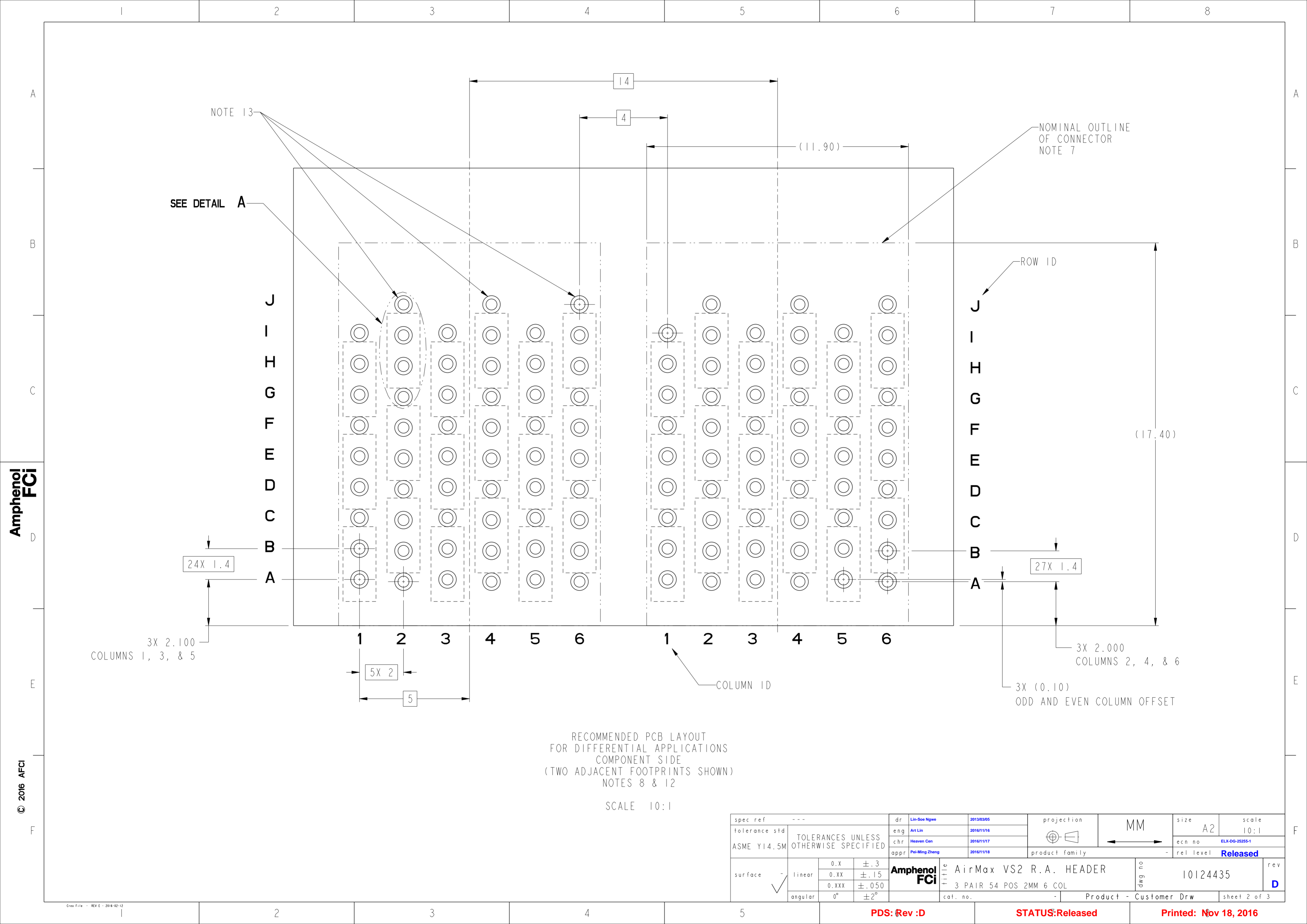


PRODUCT NUMBER
SEE SHEET 3



SECTION AA-AA

spec ref	---	dr	Lin-Soe Ngwe	2013/03/05	projection	MM	size	A2	scale	6:1		
tolerance std	ASME Y14.5M	eng	Art Lin	2016/11/16			ecn no	ELX-DG-25255-1	rel level	Released		
TOLERANCES UNLESS OTHERWISE SPECIFIED		chr	Heaven Cen	2016/11/17								
		appr	Pai-Ming Zheng	2016/11/18								
product family	AirMax VSE				product family	AirMax VSE		rel level	Released			
surface	linear	0.X	±.3		title		AirMax VS2 R.A. HEADER		3 PAIR 54 POS 2MM 6 COL cat. no.	Product - Customer Drw sheet 1 of 3		
		0.XX	±.15		part no		10124435				rev	D
		0.XXX	±.050		cat. no.		-					
	angular	0°	±2°	PDS: Rev :D		STATUS:Released		Printed: Nov 18, 2016				



SEE DETAIL A

NOTE 13

NOMINAL OUTLINE OF CONNECTOR
NOTE 7

ROW ID

COLUMN ID

RECOMMENDED PCB LAYOUT
FOR DIFFERENTIAL APPLICATIONS
COMPONENT SIDE
(TWO ADJACENT FOOTPRINTS SHOWN)
NOTES 8 & 12

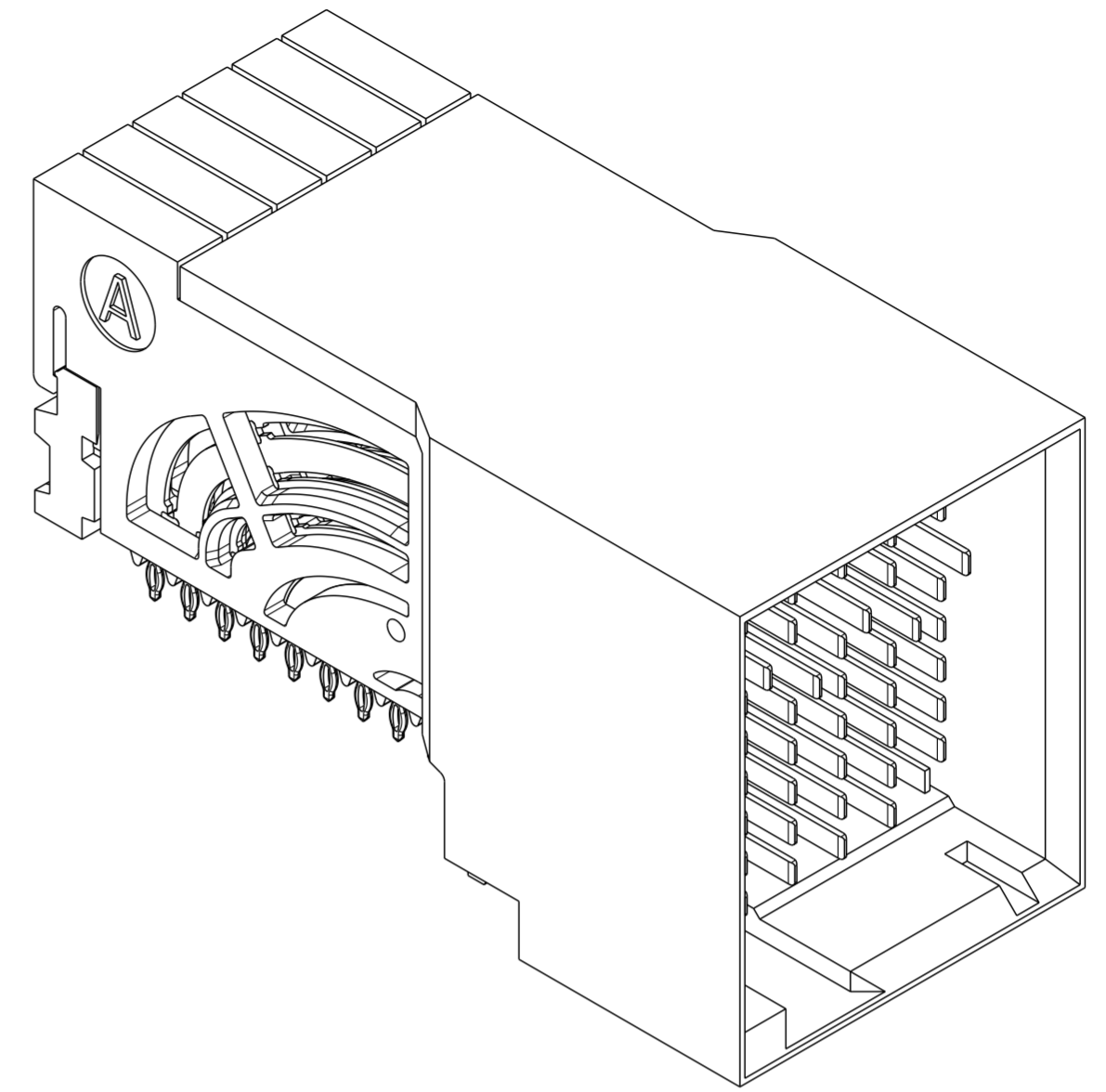
SCALE 10:1

spec ref	---	dr	Lin-Soe Ngwe	2013/03/05	projection	MM	size	A2	scale	10:1									
tolerance std	ASME Y14.5M	eng	Art Lin	2016/11/16			ecn no	ELX-DG-25255-1											
TOLERANCES UNLESS OTHERWISE SPECIFIED		chr	Heaven Cen	2016/11/17			rel level	Released											
		appr	Pai-Ming Zheng	2016/11/18			product family												
surface	<table border="1"> <tr> <td rowspan="3">linear</td> <td>0.X</td> <td>±.3</td> </tr> <tr> <td>0.XX</td> <td>±.15</td> </tr> <tr> <td>0.XXX</td> <td>±.050</td> </tr> <tr> <td>angular</td> <td>0°</td> <td>±2°</td> </tr> </table>	linear	0.X	±.3	0.XX	±.15	0.XXX	±.050	angular	0°	±2°		Amphenol FCI title AirMax VS2 R.A. HEADER 3 PAIR 54 POS 2MM 6 COL		cat. no. - Product - Customer Drw	rev no 10124435	rev D	sheet 2 of 3	
linear	0.X		±.3																
	0.XX		±.15																
	0.XXX	±.050																	
angular	0°	±2°																	

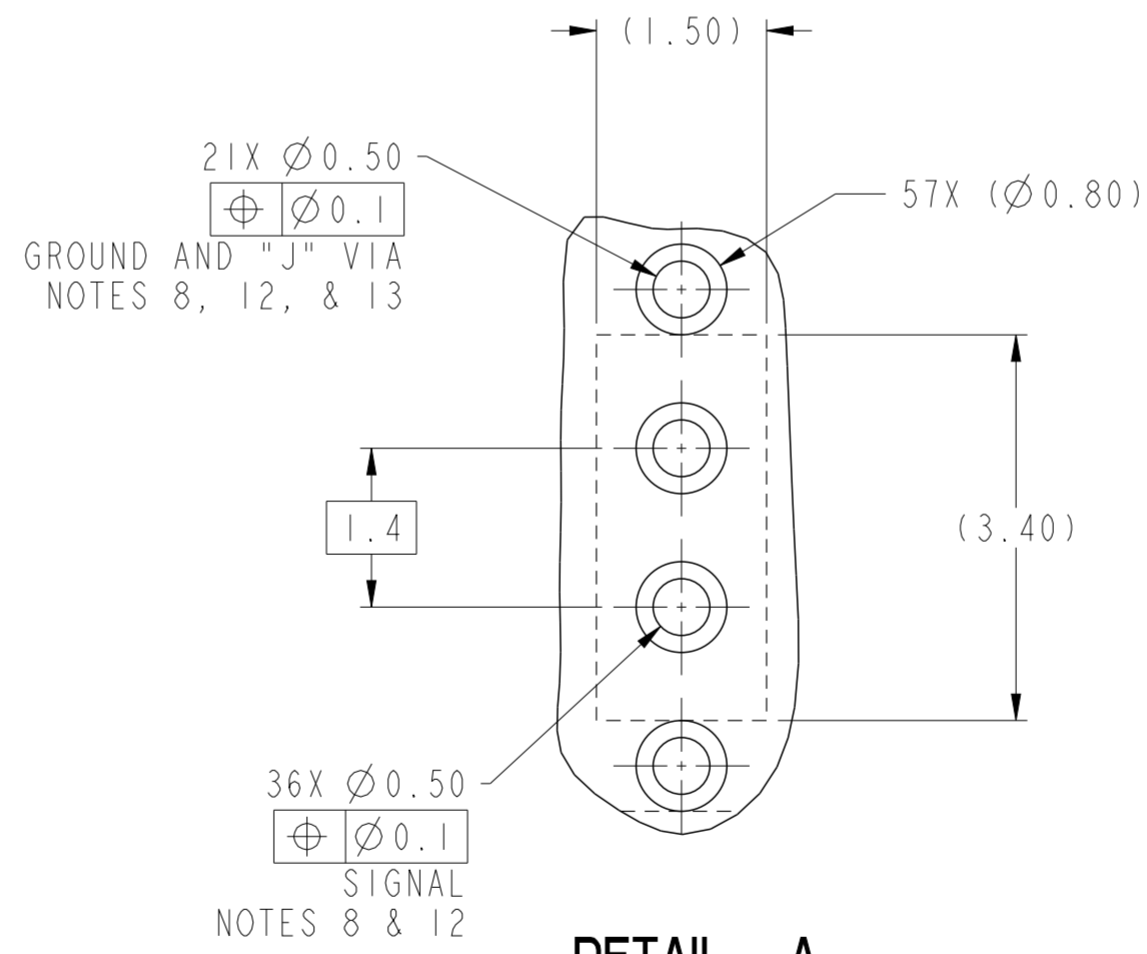
PRODUCT NUMBER	PRESS-FIT TAIL PLATING TYPE	SHORT DETECT CONTACT	REMARK
10124435-100001LF	TIN OVER NICKEL (LEAD FREE)	A6 (SEE NOTE 14)	1-SIDE PLATING (CUSTOMER SPECIAL)
10124435-100002LF	TIN OVER NICKEL (LEAD FREE)	A6 (SEE NOTE 14)	2-SIDE PLATING

- ① - CONNECTOR MATERIALS:
HOUSING: HIGH TEMP THERMOPLASTIC, NATURAL, UL94-V0
IMLA PLASTIC: HIGH TEMP THERMOPLASTIC, BLACK, UL94-V0
CONTACT: COPPER ALLOY
ORGANIZER: HIGH TEMP THERMOPLASTIC, NATURAL, UL94-V0
- 2 - CONTACT PLATING:
SEPARABLE INTERFACE:
PERFORMANCE-BASED PLATING, QUALIFIED TO MEET THE REQUIREMENTS OF FCI PRODUCT SPECIFICATION GS-12-0956 INCLUDING TELCORDIA GR-1217-CORE (NOVEMBER 1995) CENTRAL OFFICE TEST SEQUENCE

PRESS-FIT TAILS: SEE TABLE
- 3 - PRODUCT SPECIFICATION: GS-12-0956
- 4 - APPLICATION SPECIFICATION: GS-20-0305
- ⑤ - PRODUCT MARKING, (PROTOTYPE, PART NUMBER & LOT CODE), ON THIS SURFACE.
- ⑥ - POSITIONS "F" OF ODD NUMBERED COLUMNS AND POSITIONS "G" OF EVEN NUMBERED COLUMNS CORRESPOND TO EARLY MATE HEADER PINS.
- ⑦ - CONNECTOR OUTLINE MAY BE SCREEN PRINTED ONTO CUSTOMER PCB TO BE USED AS A GUIDE FOR CONNECTOR PLACEMENT.
- ⑧ - REFER TO CUSTOMER DRAWING 10104444 FOR INFORMATION ON PCB HOLE DIAMETERS AND PLATING OPTIONS
- 9 - LEAD FREE PRODUCT MEETS THE EUROPEAN UNION DIRECTIVES & OTHER COUNTRY REGULATIONS AS DESCRIBED IN GS-22-008
- 10 - A \triangle SYMBOL WILL BE NEXT TO ANY DIMENSION, VIEW, OR NOTE, WHICH HAS BEEN MODIFIED WITH THE CURRENT DRAWING REVISION.
- 11 - PACKAGING MEETS GS-14-920 LEAD FREE LABELING SPECIFICATION.
- ⑫ - GROUND CONTACTS (C, F, & I IN ODD COLUMNS AND A, D, & G IN EVEN COLUMNS) REQUIRE ($\varnothing 0.50$) FINISHED HOLES. SIGNAL LOCATIONS REQUIRE ($\varnothing 0.50$) FINISHED HOLES
- ⑬ - THESE OUTER VIAS (J) ARE OPTIONAL. WHILE NO CONNECTOR EONS ARE PRESSED INTO THESE HOLES WE RECCOMEND ($\varnothing 0.500$) FINISHED HOLES AT THESE LOCATIONS TO PROVIDE GROUND SYMMETRY THROUGH THE PCB.
- ⑭ - MATING PIN A6 IS 0.5mm LESS NOMINAL WIPE LENGTH THAN THE SHORTEST PIN.



10124435-100001LF



DETAIL A
SCALE 15:1

Amphenol FCI

© 2016 AFCI

spec ref	---	dr	Lin-Soe Ngwe	2013/03/05	projection	MM	size	A2	scale	10:1		
tolerance std	ASME Y14.5M	eng	Art Lin	2016/11/16			ecn no	ELX-DG-25255-1				
TOLERANCES UNLESS OTHERWISE SPECIFIED		chr	Heaven Cen	2016/11/17			rel level	Released				
		appr	Pai-Ming Zheng	2016/11/18								
surface	linear	0.X	±.3		product family	AirMax VS2 R.A. HEADER			dwg no	10124435	rev	D
		0.XX	±.15		3 PAIR 54 POS 2MM 6 COL							
		0.XXX	±.050		cat. no.			Product - Customer Drw				
	angular	0°	±2°				sheet 3 of 3					