

# C3225X7S1H475K230AE

TDK Item Description : C3225X7S1H475KT\*\*\*S

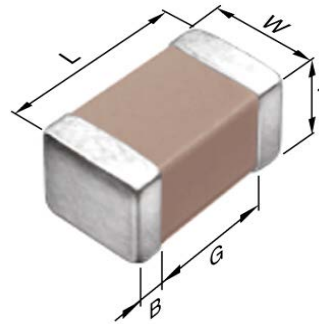


## Application & Main Feature

Commercial Grade ( Soft Termination )

## Series

C3225 [EIA CC1210]



## Dimensions

L	3.20mm +0.5,-0.4mm
W	2.50mm +/-0.3mm
T	2.30mm +0.3,-0.2mm
B	0.20mm Min.
G	

## Temperature Characteristic

X7S (-55 to 125 degC +/-22%)

## Rated Voltage

1H (50Vdc)

## Capacitance

4.7uF

## Capacitance Tolerance

K (+/-10%)

## Dissipation Factor

5% Max.

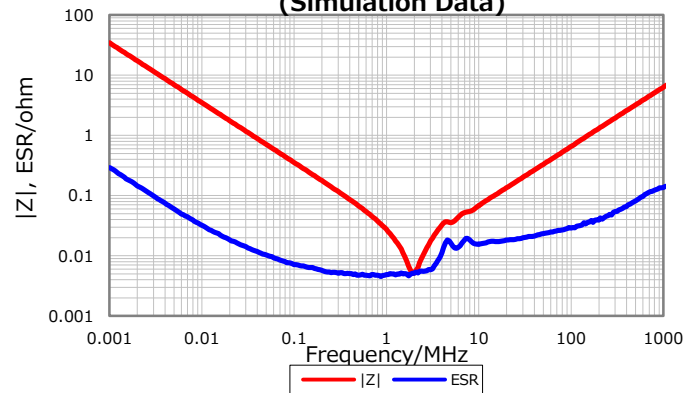
## Insulation Resistance

106Mohm Min.

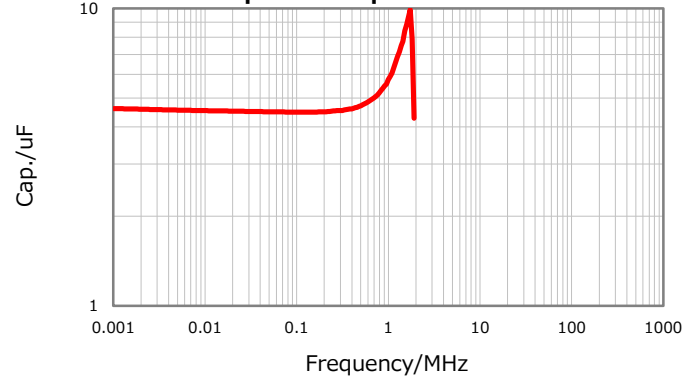
## AEC-Q200

Not Applicable

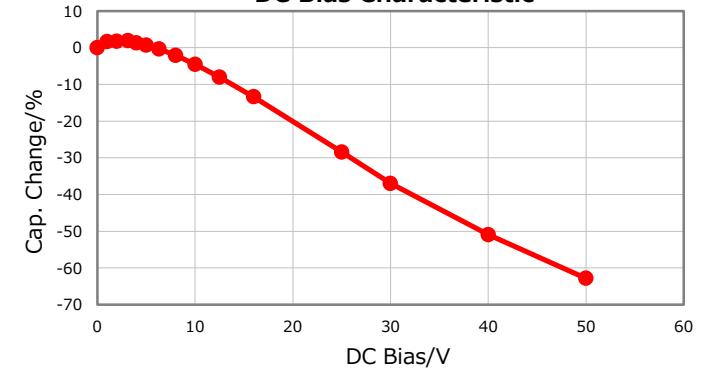
## |Z|, ESR vs. Freq. Characteristics (Simulation Data)



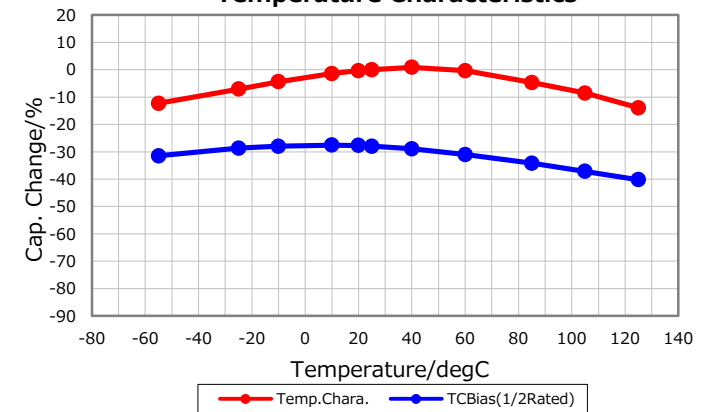
## Cap. vs. Freq. Characteristic



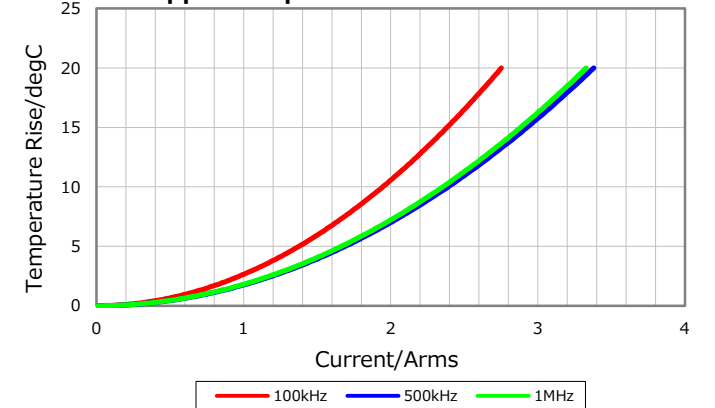
## DC Bias Characteristic



## Temperature Characteristics



## Ripple Temperature Rise Characteristics



Characterization Sheet ( Multilayer Ceramic Chip Capacitors )



All specifications are subject to change without notice.

March 16, 2017