

THIS DRAWING IS UNPUBLISHED.

RELEASED FOR PUBLICATION

© COPYRIGHT - By -

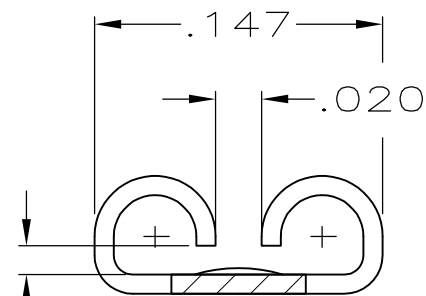
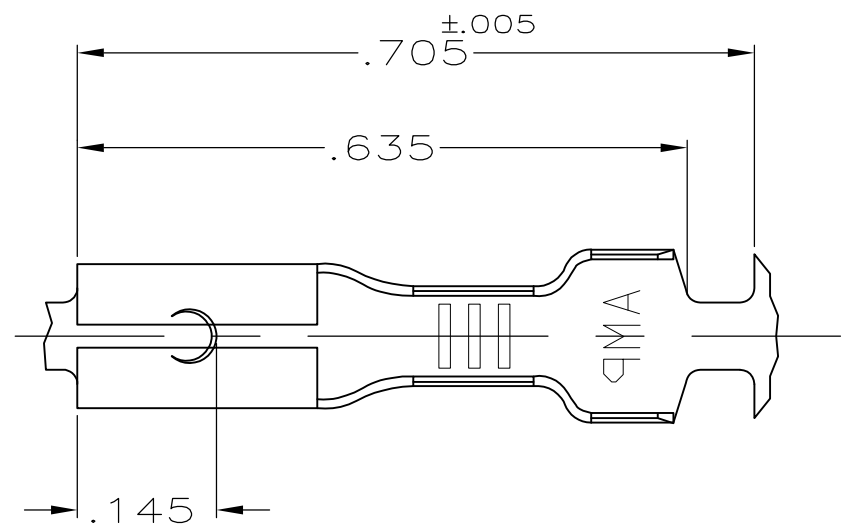
ALL RIGHTS RESERVED.

LOC AF DIST 50

REVISIONS

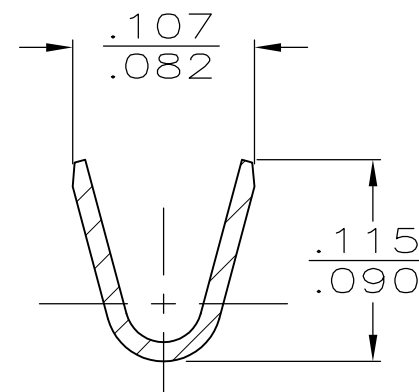
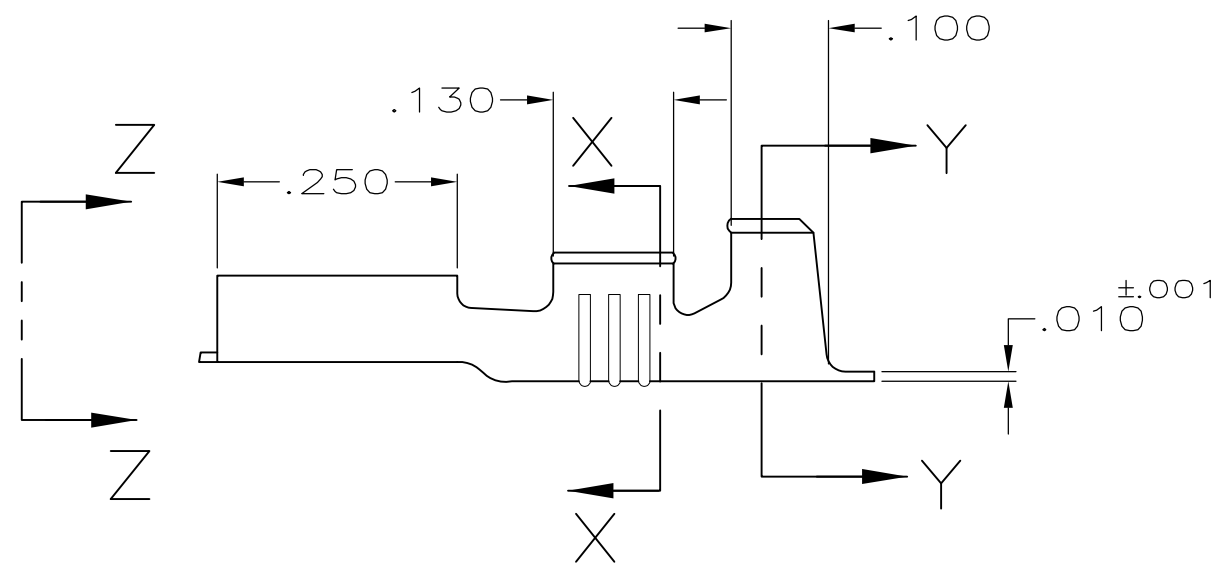
P	LTR	DESCRIPTION	DATE	DWN	APVD
	E	REVISED PER ECR-12-013445	09NOV12	KH	PD

1 CONTINUOUS STRIP ON REELS

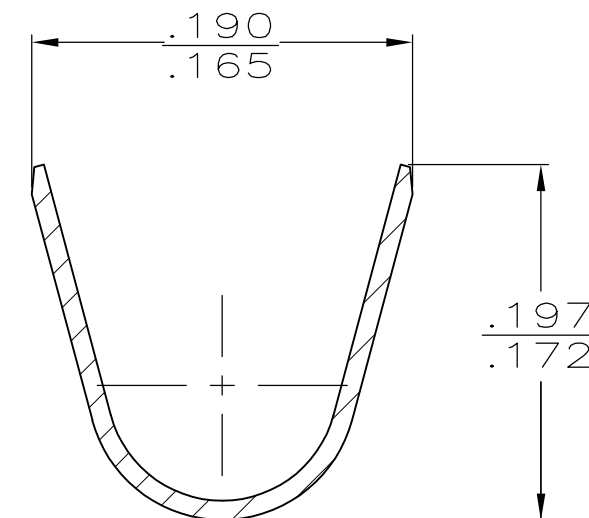


FITS .110 SERIES FASTON TABS

VIEW Z-Z
SCALE 10:1



SECTION X-X
SCALE 10:1



SECTION Y-Y
SCALE 10:1

.120-.140	22-18 AWG	.020	60729-1
INSUL RANGE	WIRE SIZE	MATING TAB THK ±.001	PART NO.

THIS DRAWING IS A CONTROLLED DOCUMENT.		DWN JR RUTH 12/20/90	STE TE Connectivity	
DIMENSIONS: INCHES		CHK MS FEHER 12/20/90		
TOLERANCES UNLESS OTHERWISE SPECIFIED:		APVD C MEYERS 12/21/90	NAME RECEPTACLE, FASTON, .110 SERIES	
0 PLC ± -		PRODUCT SPEC -	SIZE A3	
1 PLC ± -		APPLICATION SPEC -	CAGE CODE 00779	DRAWING NO C-60729
2 PLC ± -		WEIGHT -	RESTRICTED TO -	
3 PLC ± .015		CUSTOMER DRAWING		
4 PLC ± -		SCALE 5:1		
ANGLES ± -		SHEET 1 OF 1		
MATERIAL BRASS	FINISH PRE-TIN	REV E		