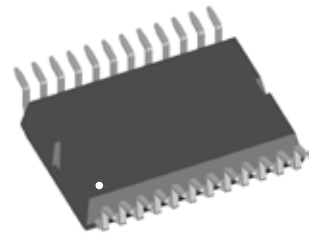
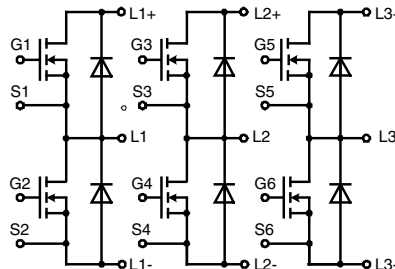


# Three phase full Bridge

with Trench MOSFETs  
in DCB isolated high current package

$V_{DSS} = 75 \text{ V}$   
 $I_{D25} = 110 \text{ A}$   
 $R_{DSon \text{ typ.}} = 4.0 \text{ m}\Omega$



### MOSFETs

Symbol	Conditions	Maximum Ratings	
$V_{DSS}$	$T_{VJ} = 25^\circ\text{C to } 150^\circ\text{C}$	75	V
$V_{GS}$		$\pm 20$	V
$I_{D25}$	$T_C = 25^\circ\text{C}$	110	A
$I_{D90}$	$T_C = 90^\circ\text{C}$	85	A
$I_{F25}$	$T_C = 25^\circ\text{C (diode)}$	110	A
$I_{F90}$	$T_C = 90^\circ\text{C (diode)}$	80	A

### Applications

- AC drives
- in automobiles
    - electric power steering
    - starter generator
  - in industrial vehicles
    - propulsion drives
    - fork lift drives
  - in battery supplied equipment

### Symbol Conditions

### Characteristic Values

( $T_{VJ} = 25^\circ\text{C}$ , unless otherwise specified)

Symbol	Conditions	min.	typ.	max.	
$R_{DSon}^{1)}$	on chip level at $V_{GS} = 10 \text{ V}$				
			$T_{VJ} = 25^\circ\text{C}$ 4.0	4.9	m $\Omega$
			$T_{VJ} = 125^\circ\text{C}$ 7.2	8.4	m $\Omega$
$V_{GS(th)}$	$V_{DS} = 20 \text{ V}; I_D = 1 \text{ mA}$	2.0		4.0	V
$I_{DSS}$	$V_{DS} = V_{DSS}; V_{GS} = 0 \text{ V}$			1	$\mu\text{A}$
				50	$\mu\text{A}$
$I_{GSS}$	$V_{GS} = \pm 20 \text{ V}; V_{DS} = 0 \text{ V}$			0.2	$\mu\text{A}$
$Q_g$	$V_{GS} = 10 \text{ V}; V_{DS} = 36 \text{ V}; I_D = 25 \text{ A}$		115		nC
$Q_{gs}$			30		nC
$Q_{gd}$			30		nC
$t_{d(on)}$	inductive load $V_{GS} = 10 \text{ V}; V_{DS} = 30 \text{ V}$ $I_D = 80 \text{ A}; R_G = 39 \Omega;$ $T_J = 125^\circ\text{C}$		130		ns
$t_r$			100		ns
$t_{d(off)}$			500		ns
$t_f$			100		ns
$E_{on}$			0.20		mJ
$E_{off}$		0.50		mJ	
$E_{recoff}$		0.01		mJ	
$R_{thJC}$				1.0	K/W
$R_{thJH}$	with heat transfer paste (IXYS test setup)		1.3	1.6	K/W

<sup>1)</sup>  $V_{DS} = I_D \cdot (R_{DS(on)} + 2R_{Pin \text{ to chip}})$

### Features

- MOSFETs in trench technology:
  - low  $R_{DSon}$
  - optimized intrinsic reverse diode
- package:
  - high level of integration
  - high current capability
  - aux. terminals for MOSFET control
  - terminals for soldering or welding connections
  - isolated DCB ceramic base plate with optimized heat transfer
- Space and weight savings

Recommended replacement: MTI90WX75GD

**Source-Drain Diode**

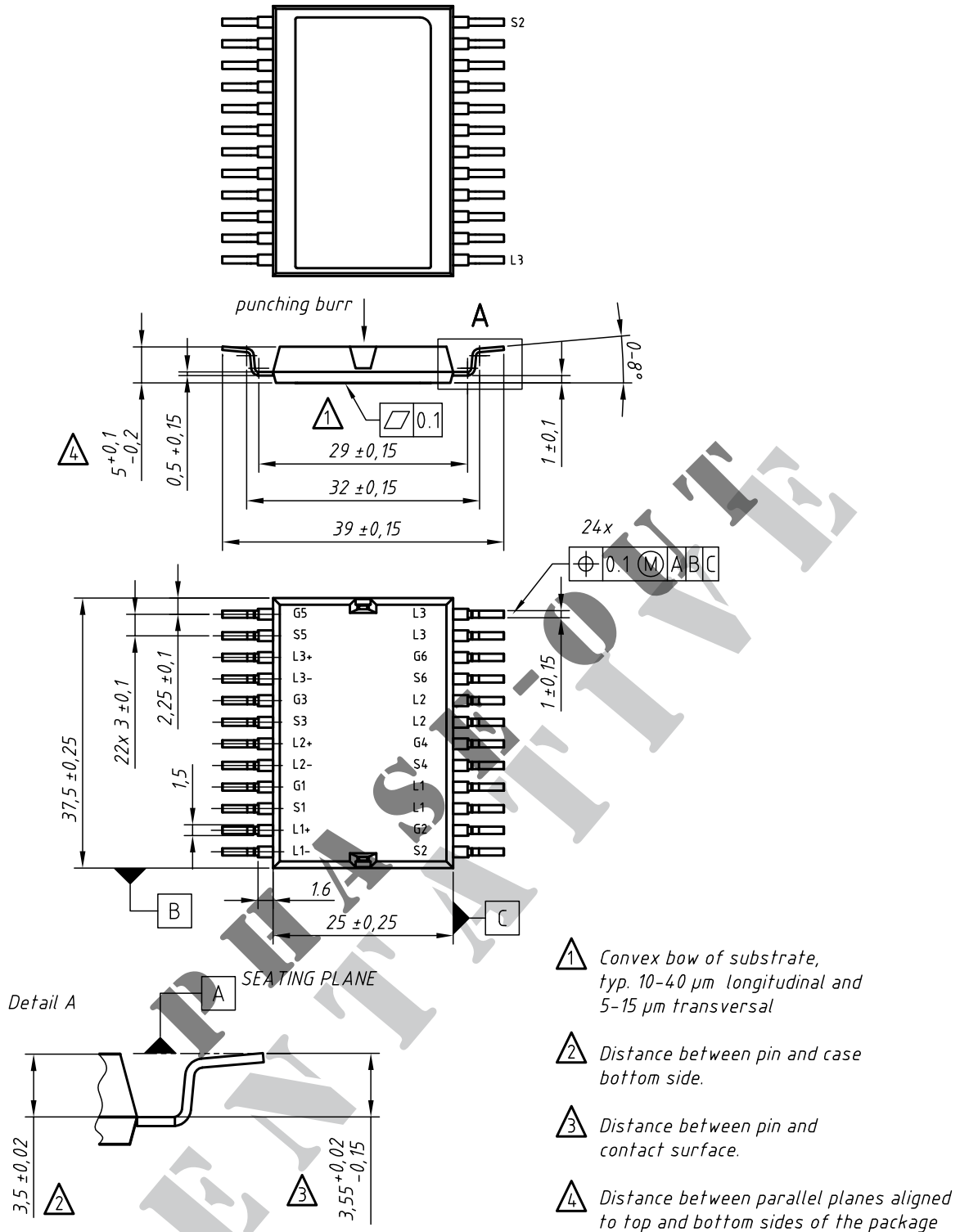
Symbol	Conditions	Characteristic Values			
		min.	typ.	max.	
(T <sub>J</sub> = 25°C, unless otherwise specified)					
V <sub>SD</sub>	(diode) I <sub>F</sub> = 80 A; V <sub>GS</sub> = 0 V		0.9	1.2	V
t <sub>rr</sub>	I <sub>F</sub> = 80 A; -di <sub>F</sub> /dt = 800 A/μs; V <sub>R</sub> = 30 V		55		ns
Q <sub>RM</sub>			0.9		μC
I <sub>RM</sub>			30		A

**Component**

Symbol	Conditions	Maximum Ratings	
I <sub>RMS</sub>	per pin in main current paths (P+, N-, L1, L2, L3) may be additionally limited by external connections 2 pins for output L1, L2, L3	75	A
T <sub>J</sub>		-55...+175	°C
T <sub>stg</sub>		-55...+125	°C
V <sub>ISOL</sub>	I <sub>ISOL</sub> ≤ 1 mA, 50/60 Hz, f = 1 minute	1000	V~
F <sub>C</sub>	mounting force with clip	50 - 250	N

Symbol	Conditions	Characteristic Values		
		min.	typ.	max.
R <sub>pin to chip</sub> <sup>1)</sup>			tbd	mΩ
C <sub>P</sub>	coupling capacity between shorted pins and back side metallization		160	pF
Weight			25	g

<sup>1)</sup> V<sub>DS</sub> = I<sub>D</sub> · (R<sub>DS(on)</sub> + 2R<sub>Pin to Chip</sub>)



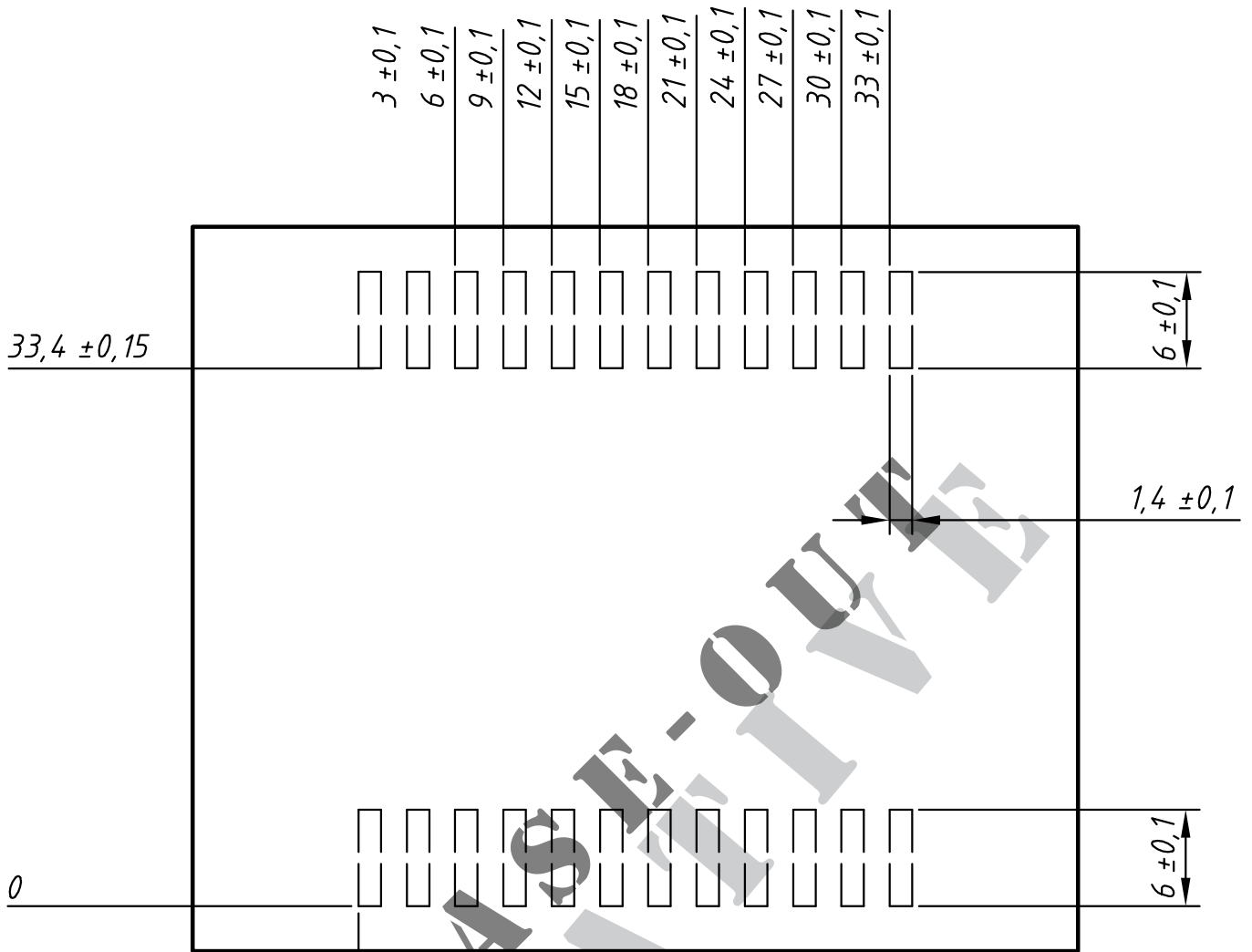
contact pin:

- galv. tin plating, per pin side: Sn 10...25 µm, undercoating Ni 0,2...1 µm
- stamping edges may be free of tin
- punching burr: ≤ 0,05mm

Leads	Ordering	Part Name & Packing Unit Marking	Part Marking	Delivering Mode	Base Qty.	Ordering Code
SMD	Standard	GMM 3x120-0075X2 - SMD	GMM 3x120-0075X2	Blister	28	507 508

IXYS reserves the right to change limits, test conditions and dimensions.

20110307



Remarks:

- 1) pin layout / dimensions are conditionally
- 2) soldering paste thickness: 200µm