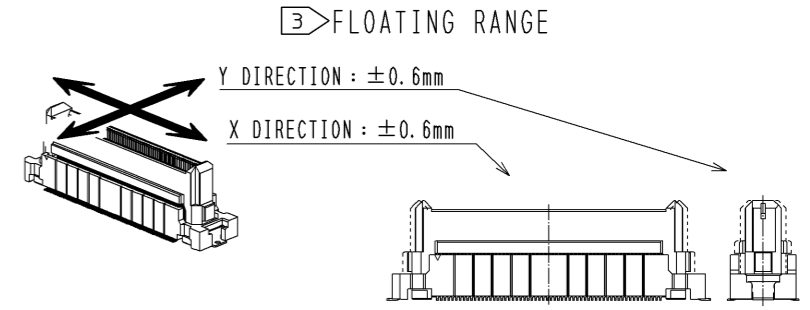
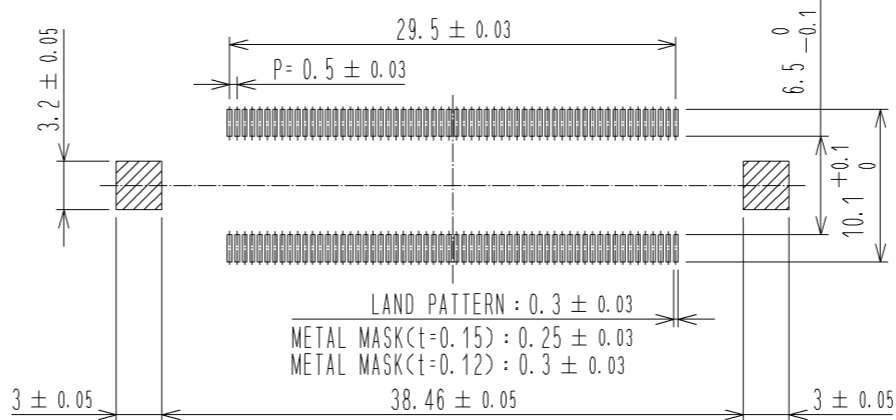
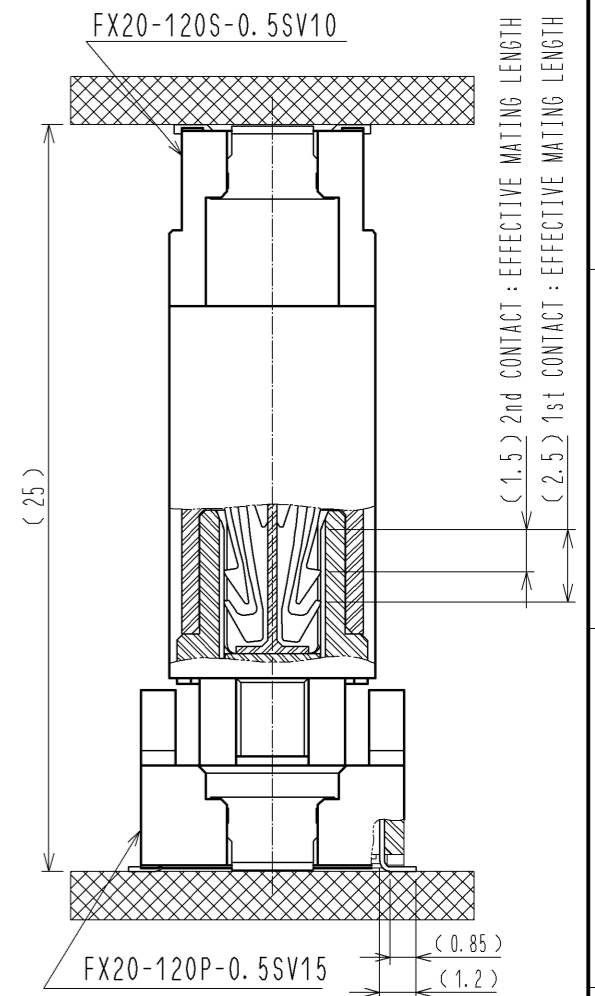


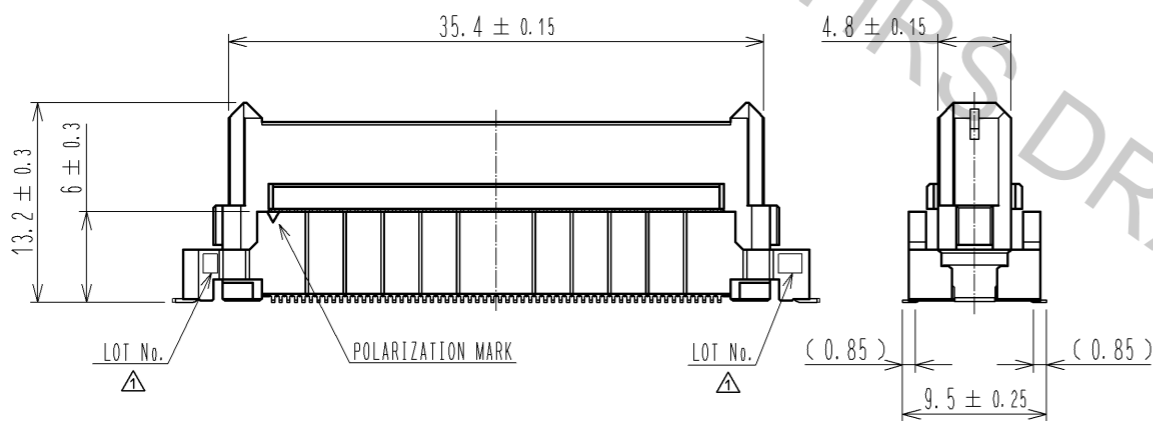
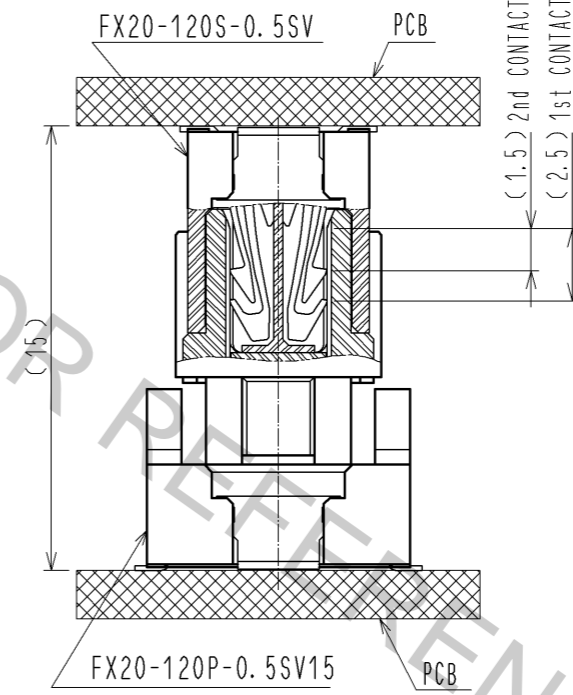
RECOMMENDED LAND PATTERN DIMENSION OF PCB



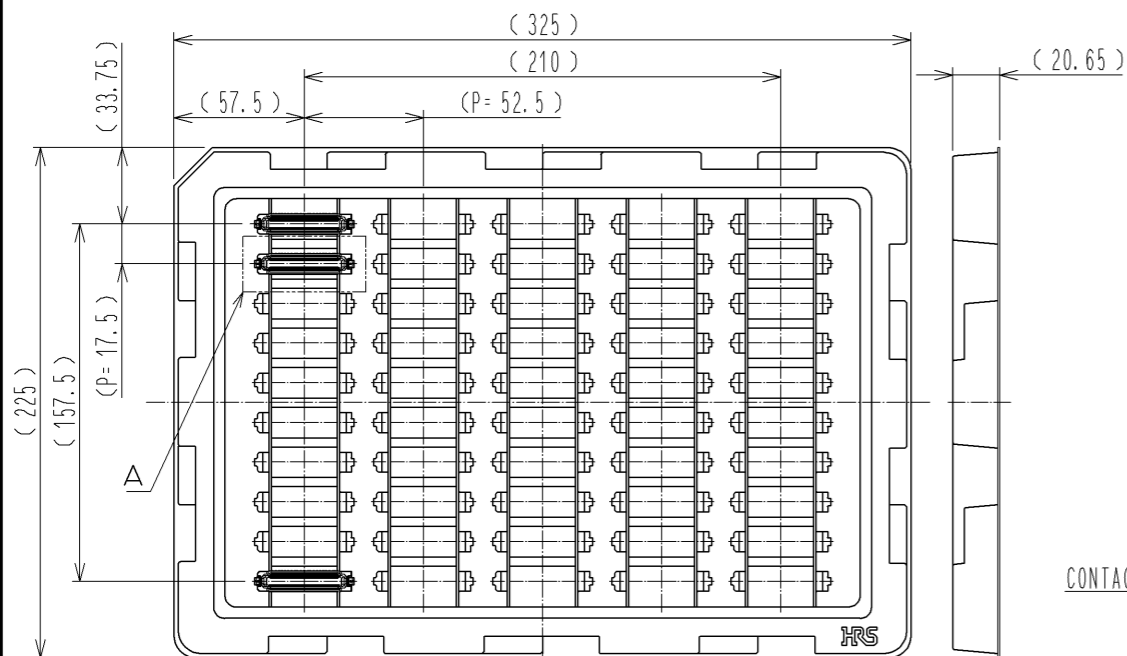
CROSS SECTION OF MATING(FREE)



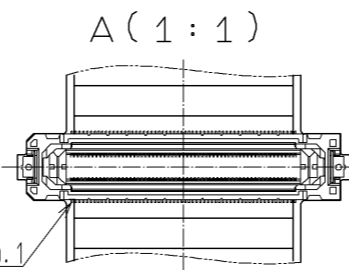
CROSS SECTION OF MATING(FREE)



2 DRAWING FOR PACKING(FREE)



- NOTE 1 LEAD CO-PLANARITY IS 0.1mm MAX.
 2 THIS IS PACKAGED IN TRAY. (50pcs/TRAY)
 3 FLOATING RANGE OF THIS CONNECTOR IS ±0.6mm MAX.
 4 BLEMISH AND HIT MARK CAN BE OCCURED THROUGH OUT THE MANUFACTURING PROCESS WHICH DOESN' T AFFECT QUALITY LEVEL.
 5 PLEASE NOTE THAT EXCESSIVE WRENCHING FORCE COULD DAMAGE THIS CONNECTOR. PLEASE REFER TO THE GUIDELINE FOR DETAILED REGULATIONS OF THE MATING METHOD.
 6 THE DIMENSIONS IN PARENTHESES ARE FOR REFERENCES.



2	POLYAMIDE	BLACK	UL94V-0	4	BRASS	TIN-PLATING 1 μm
1	POLYAMIDE	BLACK	UL94V-0	3	COPPER ALLOY	CONTACT AREA:GOLD 0.1 μm LEAD AREA:GOLD 0.03 μm UNDER PLATING:NICKEL 1 μm
NO.	MATERIAL	FINISH	REMARKS	NO.	MATERIAL	FINISH . REMARKS
UNITS	mm	SCALE	2:1	COUNT	2	DESCRIPTION OF REVISIONS
						DESIGNED
						CHECKED
						DATE
						KT. DOI
						KI. HIROKAWA
						13.03.12
						APPROVED : HS. OKAWA 11.08.22
						CHECKED : KI. HIROKAWA 11.08.12
						DESIGNED : KT. DOI 11.08.12
						DRAWN : KT. DOI 11.08.12
						DRAWING NO. EDC3-336323-00
						PART NO. FX20-120P-0.5SV15
						CODE NO. CL570-1005-1-00