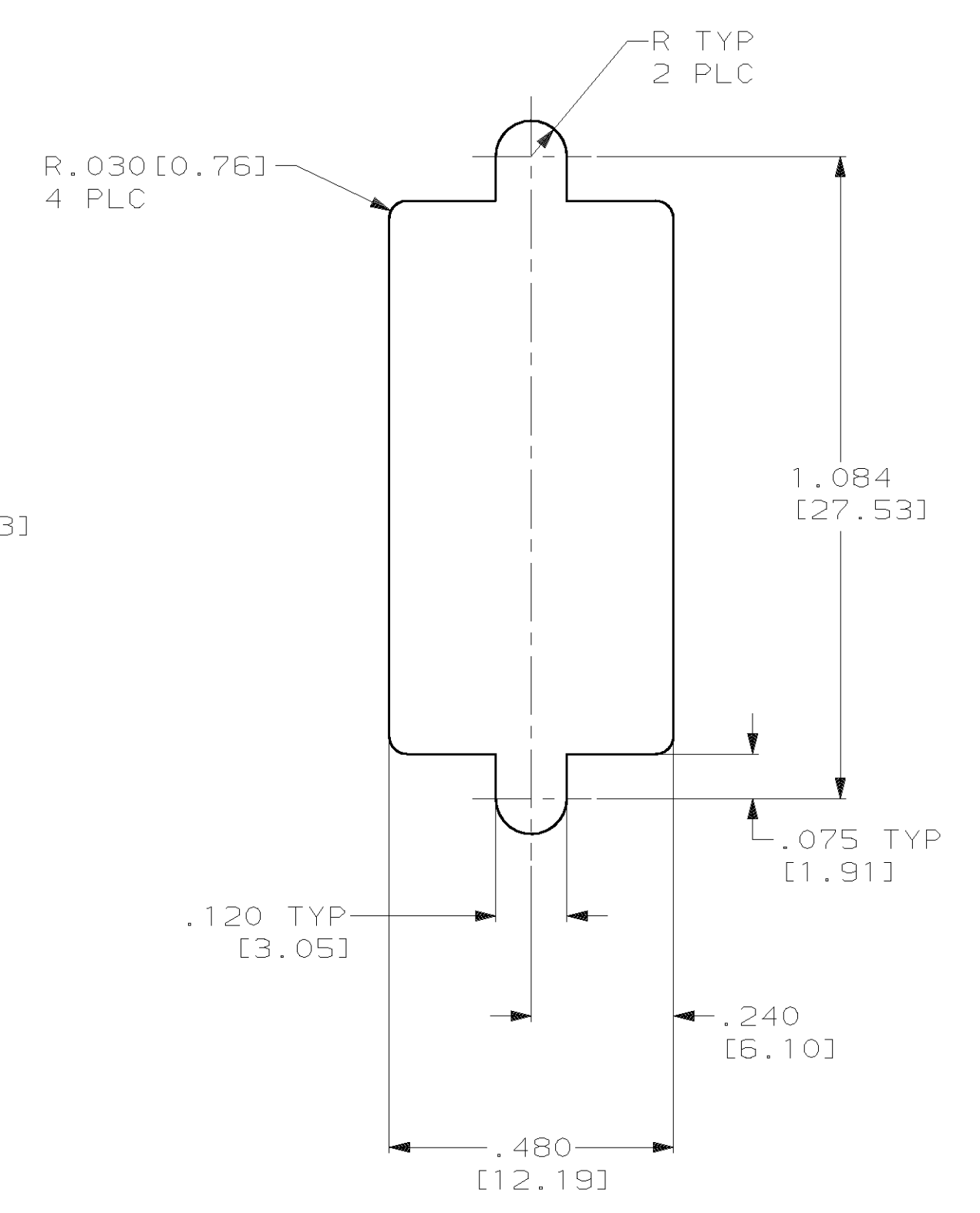
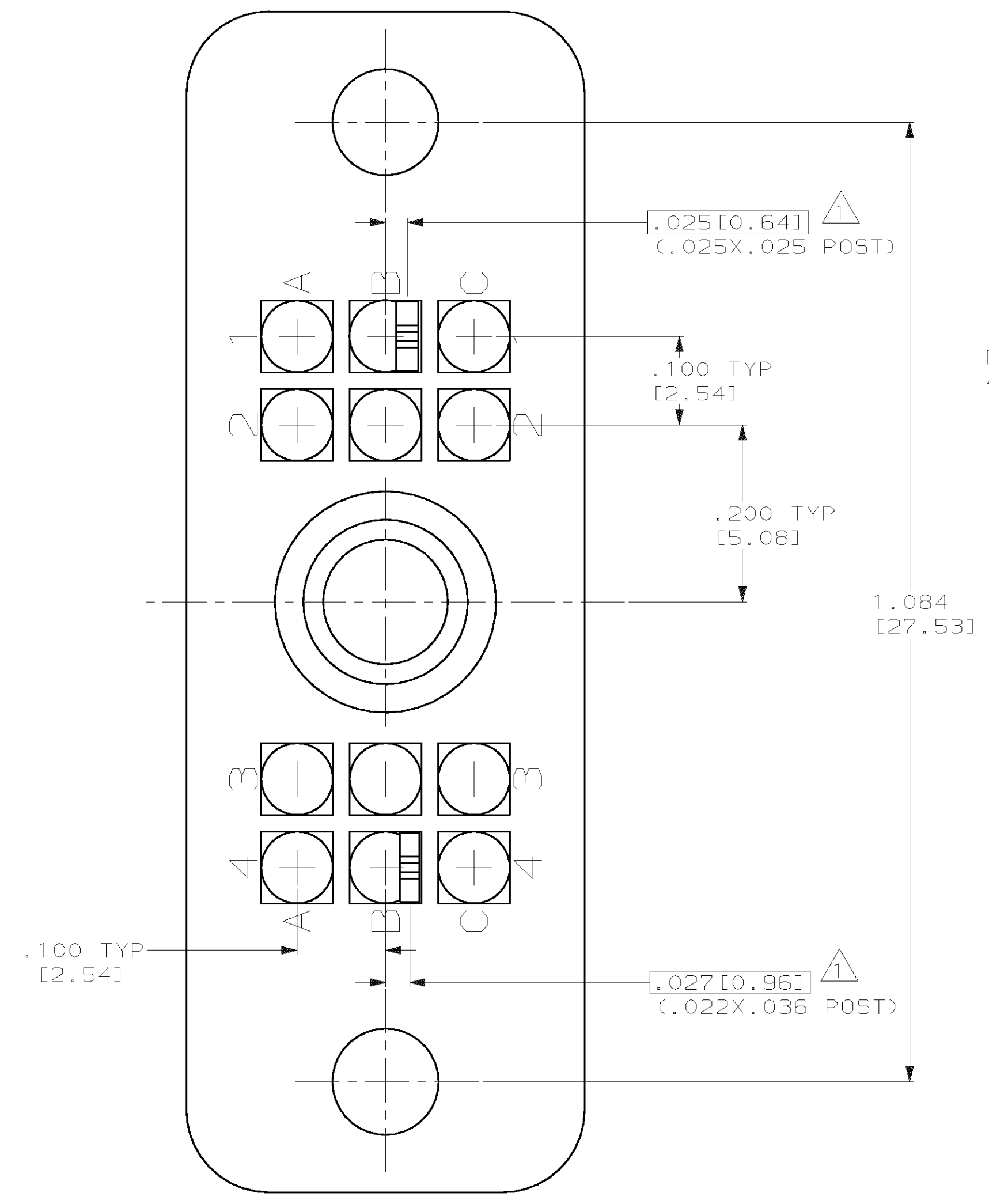
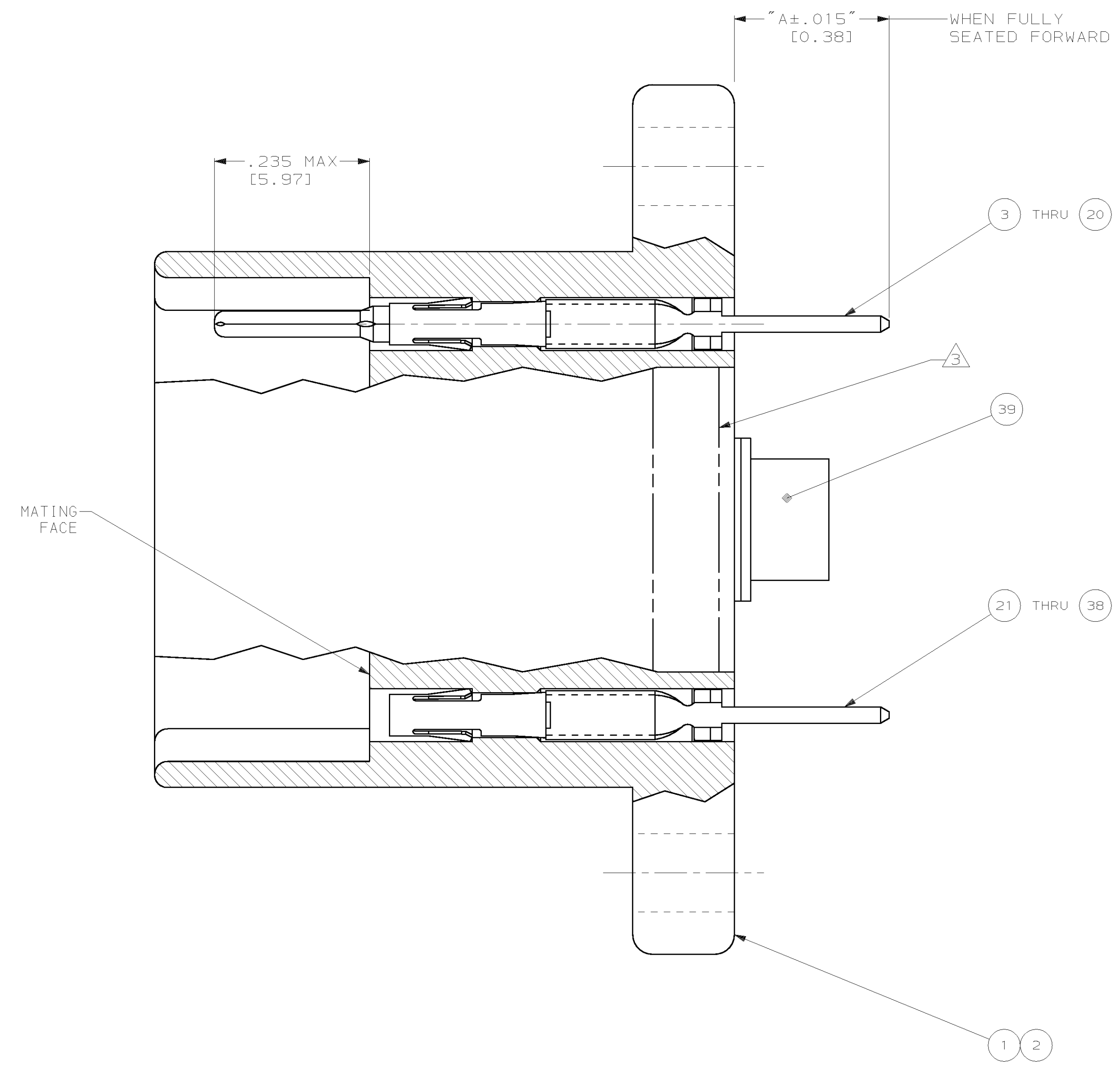


- 1 THE TIP OF THE CONTACT POSTS WILL FALL WITHIN .025 DIAMETER TRUE POSITION OF EACH OTHER.
- 2 PARTS TO BE ASSEMBLED BY AMP INC.
- 3 AMP, PART NUMBER AND DATE CODE MARKED ON EITHER SIDE.



SUGGESTED PANEL CUTOUT
 SCALE 4:1

.520	3	.022X.036 POST
.370	2	
.220	1	.025X.025 POST
.670	3	
.456	2	
.242	1	
"A"	NUMBER OF TERMINATIONS	TYPE OF POST

DIMENSIONS IN (mm) TOLERANCES UNLESS OTHERWISE SPECIFIED: 0 PLC ±.005 (0.13) 1 PLC ±. 2 PLC ±. 3 PLC ±. 4 PLC ±. ANGLES FINISH		DWG: T. THOMPSON 09-08-95 CHK: D. MUMMEY 09-08-95 APP'D: D. MUMMEY 09-08-95 PRODUCT SPEC: APPLICATION SPEC: HEIGHT: CUSTOMER DRAWING	AMP Incorporated Harrisburg, PA 17105-3608 12 POSITION, HDR, RECEPTACLE W/ JACKSCREW SIZE: A1 CAGE CODE: 00779 DRAWING NO: C=204682 SCALE: 8:1 SHEET: 13 OF 13
---	--	--	---

